

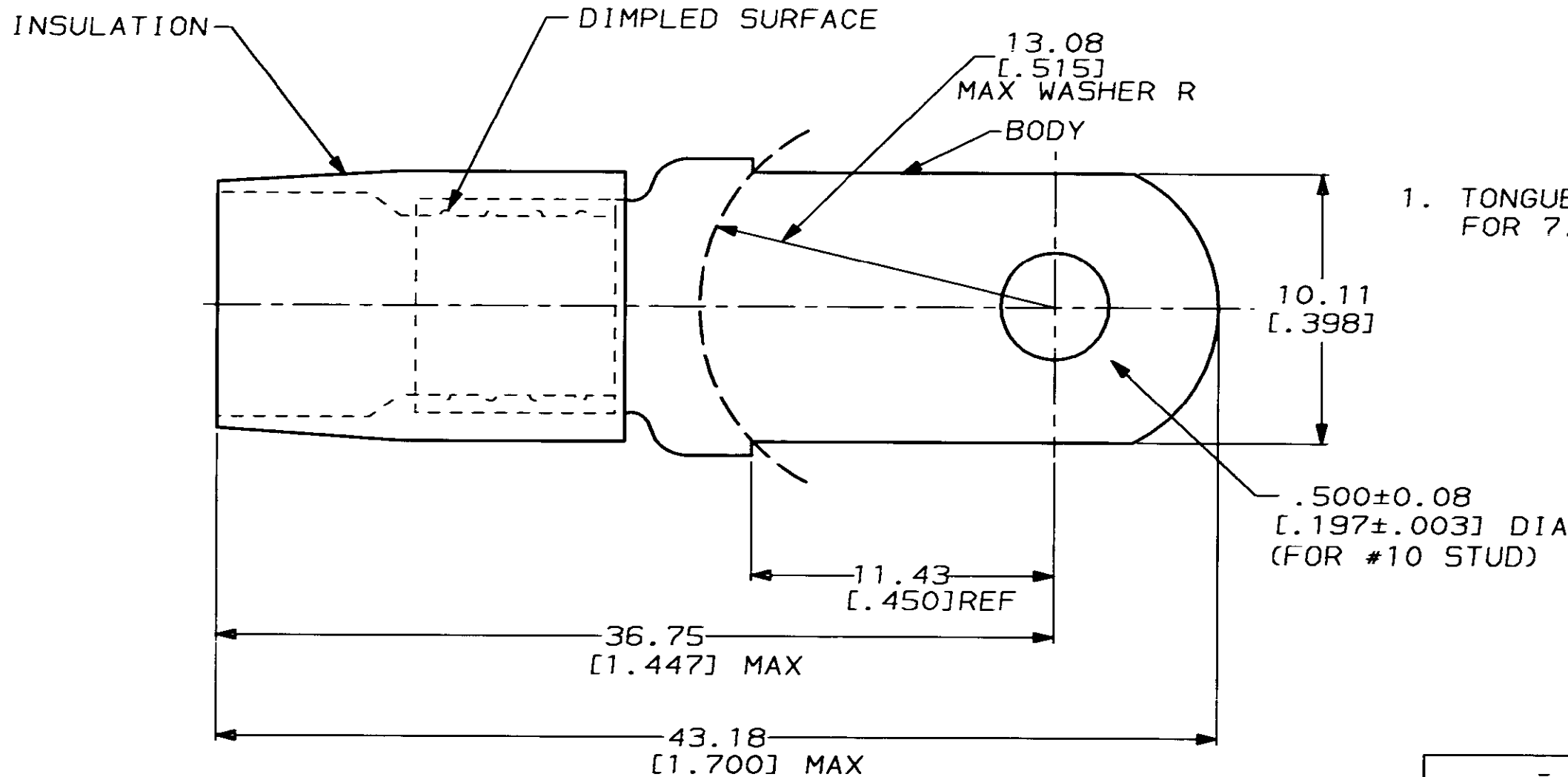
THIS DRAWING IS UNPUBLISHED. RELEASED FOR PUBLICATION, 19 .
 © COPYRIGHT 19 BY AMP INCORPORATED. ALL INTERNATIONAL RIGHTS RESERVED.

LOC	DIST	P	F	ZONE	LTR	REVISIONS	DATE	APPD
G	14				A	EC 0720-0279-93	6-21-93	BB

AMP
WIRE RANGE
6 AWG
STRANDED

METRIC
DIMENSIONS LISTED IN mm [INCHES]

1. TONGUE MATERIAL THK 1.14±0.08 [.045±.003] FOR 7.98 [.314] MAX WIRE INS DIA



**AMP INCORPORATED
CUSTOMER SERVICE SYSTEMS**

FOR ADDITIONAL PRODUCT INFORMATION OR COPIES OF DRAWINGS AND TECHNICAL DOCUMENTS	PRODUCT INFORMATION CENTER 1-800-522-6752
FOR APPLICATION TOOLING INFORMATION	TOOLING ASSISTANCE CENTER 1-800-722-1111
FOR ORDER ENTRY	1-800-526-5142

MAX RECOMMENDED OPERATING TEMPERATURE: 105°C
VOLTAGE RATING: -
CIRCULAR MIL AREA: 10.5-16.8mm² [20,800-33,100] STRANDED

DO NOT SCALE PRINT. UNLESS SPECIFIED DIMENSIONS IN INCHES. TOLERANCES ON:
 2 PLC DEC ± 0.20(.008)
 3 PLC DEC ± -
 ANGLES ± -
 MATERIAL: COPPER PER ASTM B-152 NYLON (MIL-M-20693) TYPE 1 COLOR: BLUE
 FINISH: TIN PLATE PER MIL-T-10727

QTY	LOOSE PC	53119-1
PACKAGE TYPE	PART NO	
<p>AMP AMP Incorporated Harrisburg, PA 17105-3608</p>		
NAME		
WIRE TERMINAL RECT TONGUE TERMINYL WIRE SIZE: 6 AWG		
SIZE	CAGE CODE	DRAWING NO
B	00779	C-53119
SCALE	NTS	SHEET
		1 OF 1