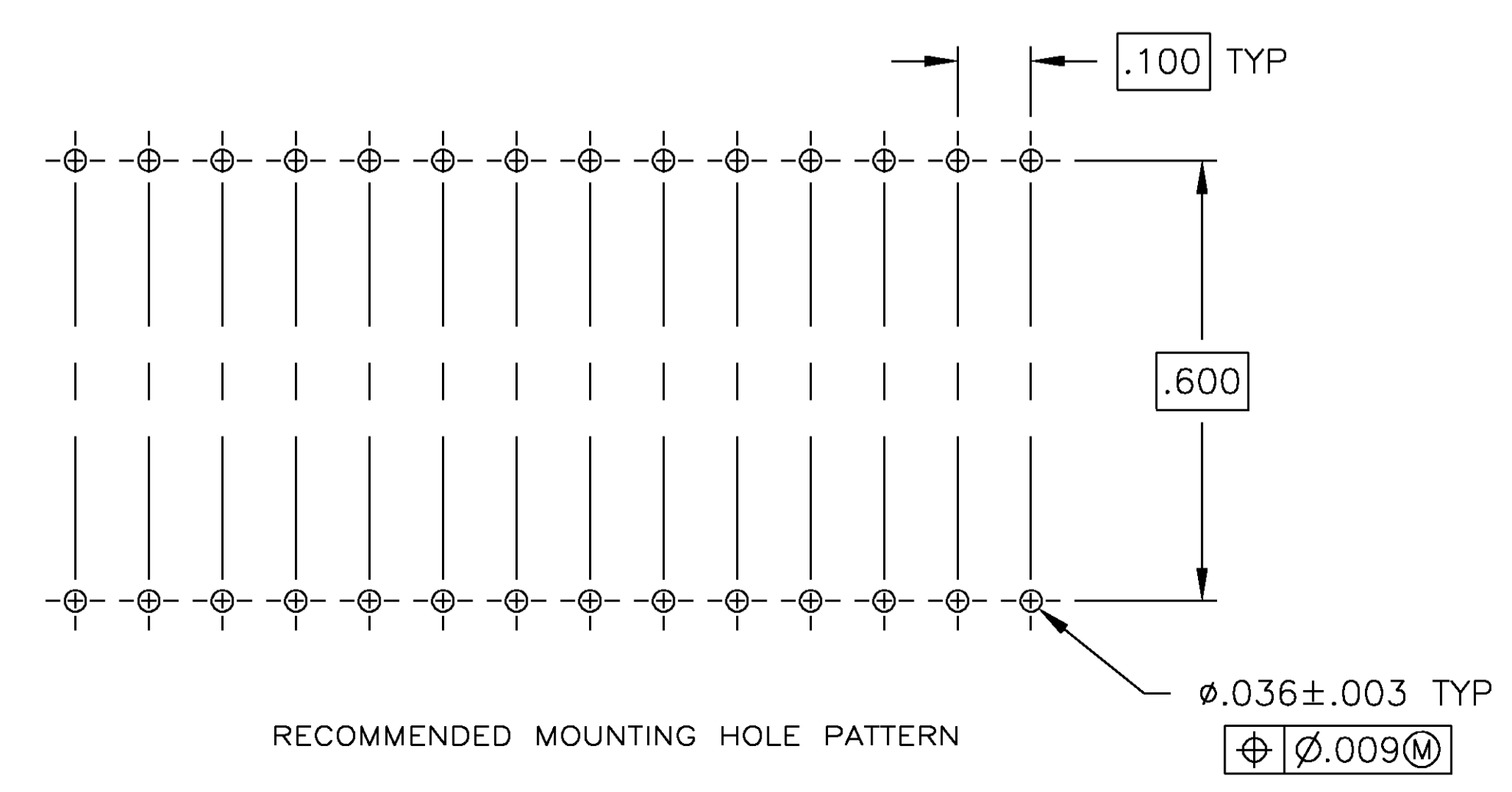
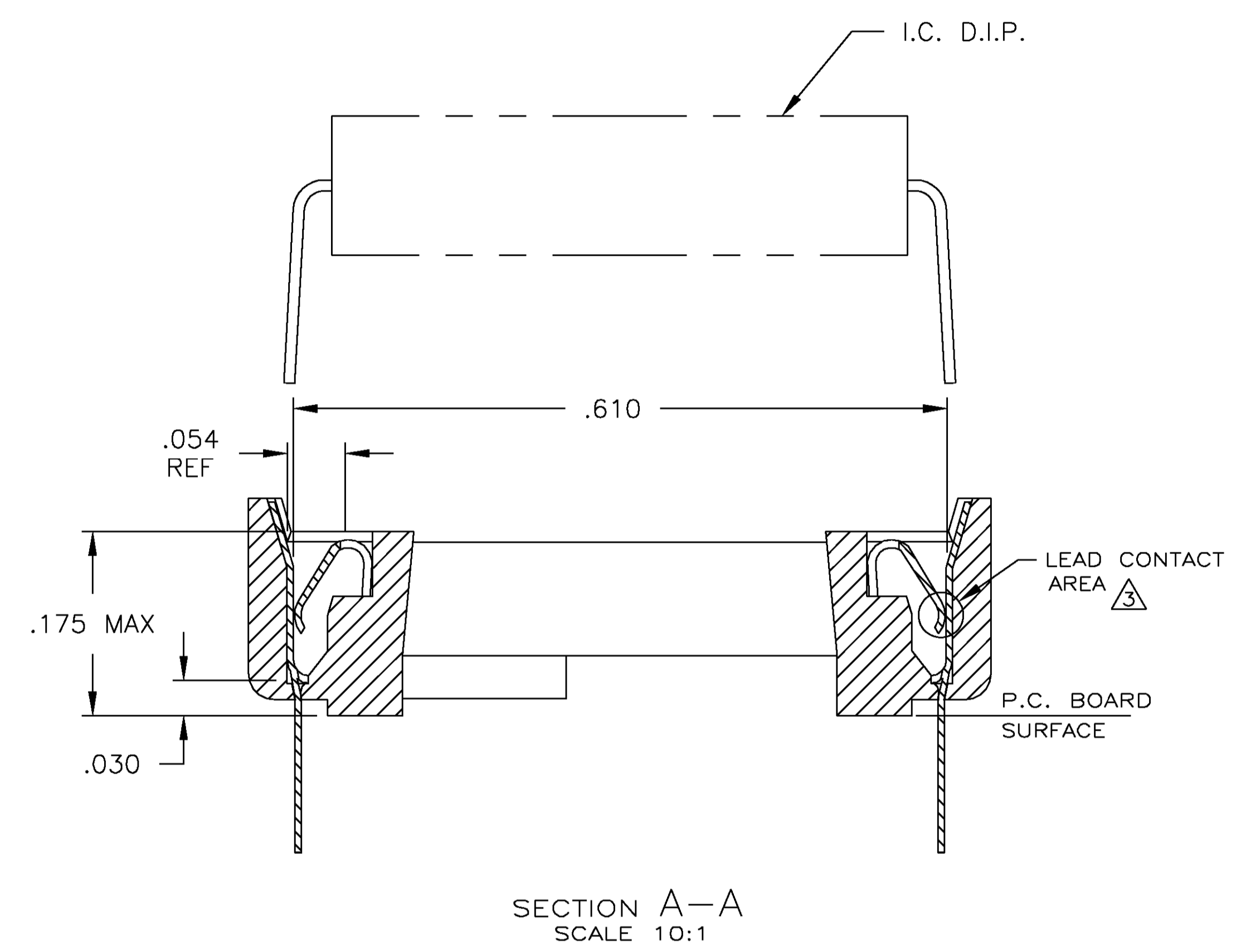
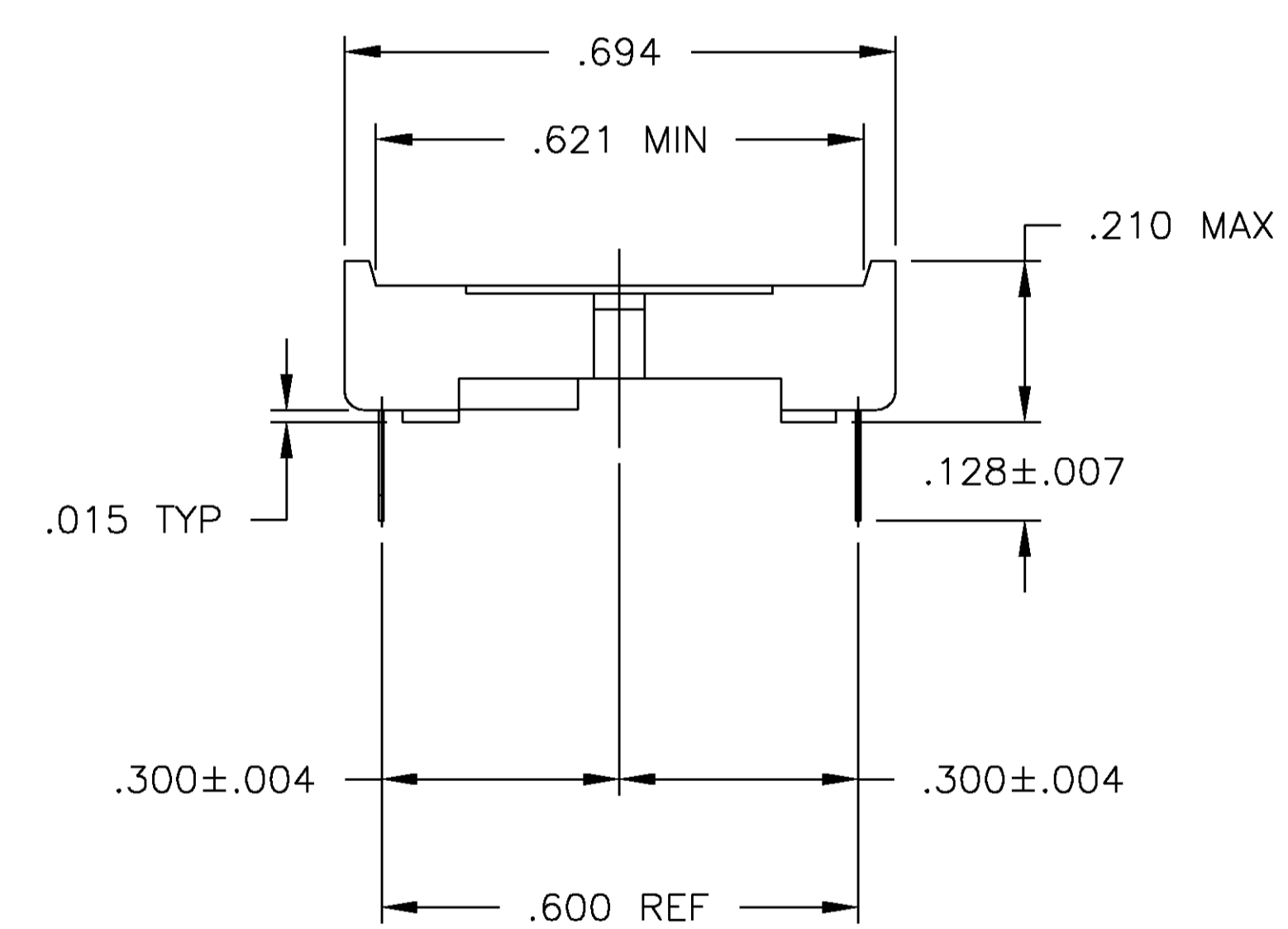
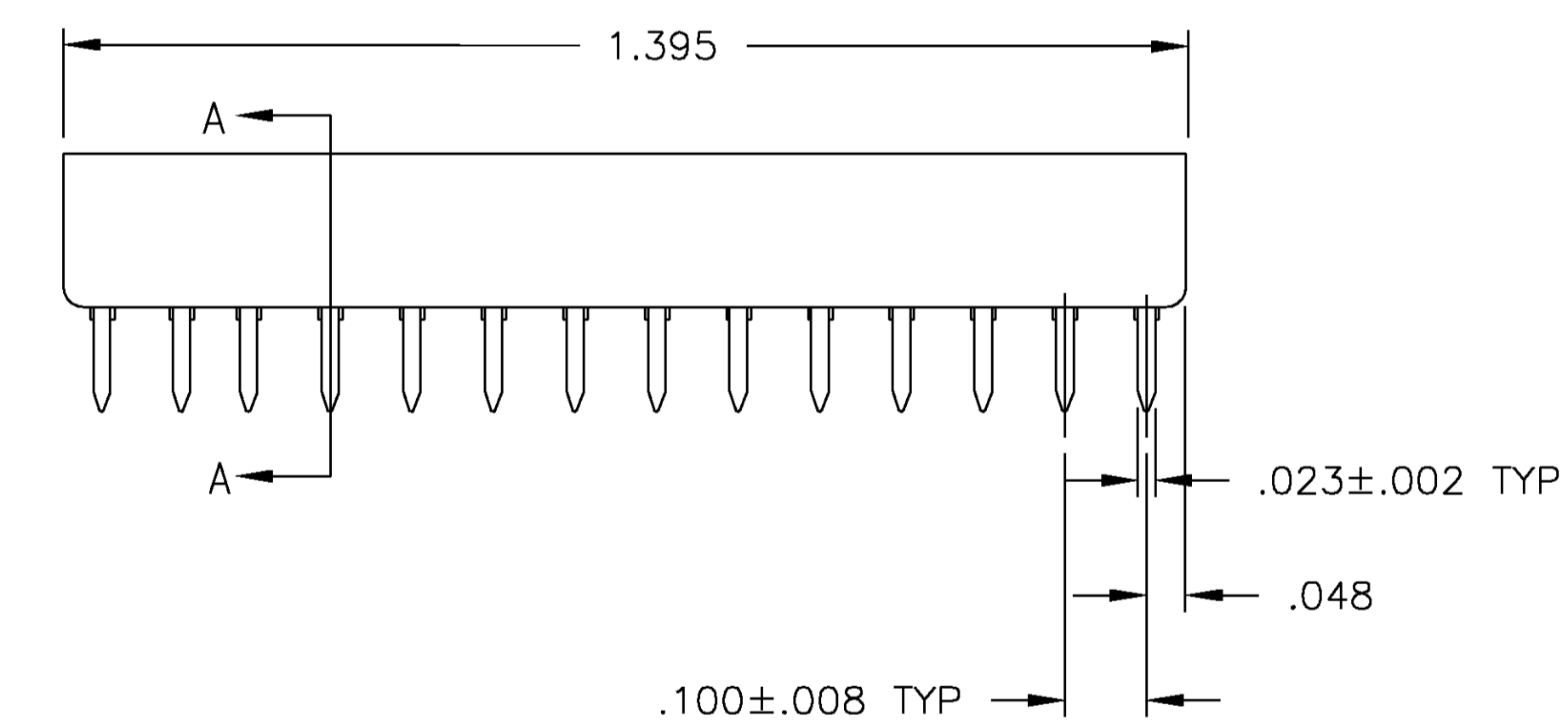
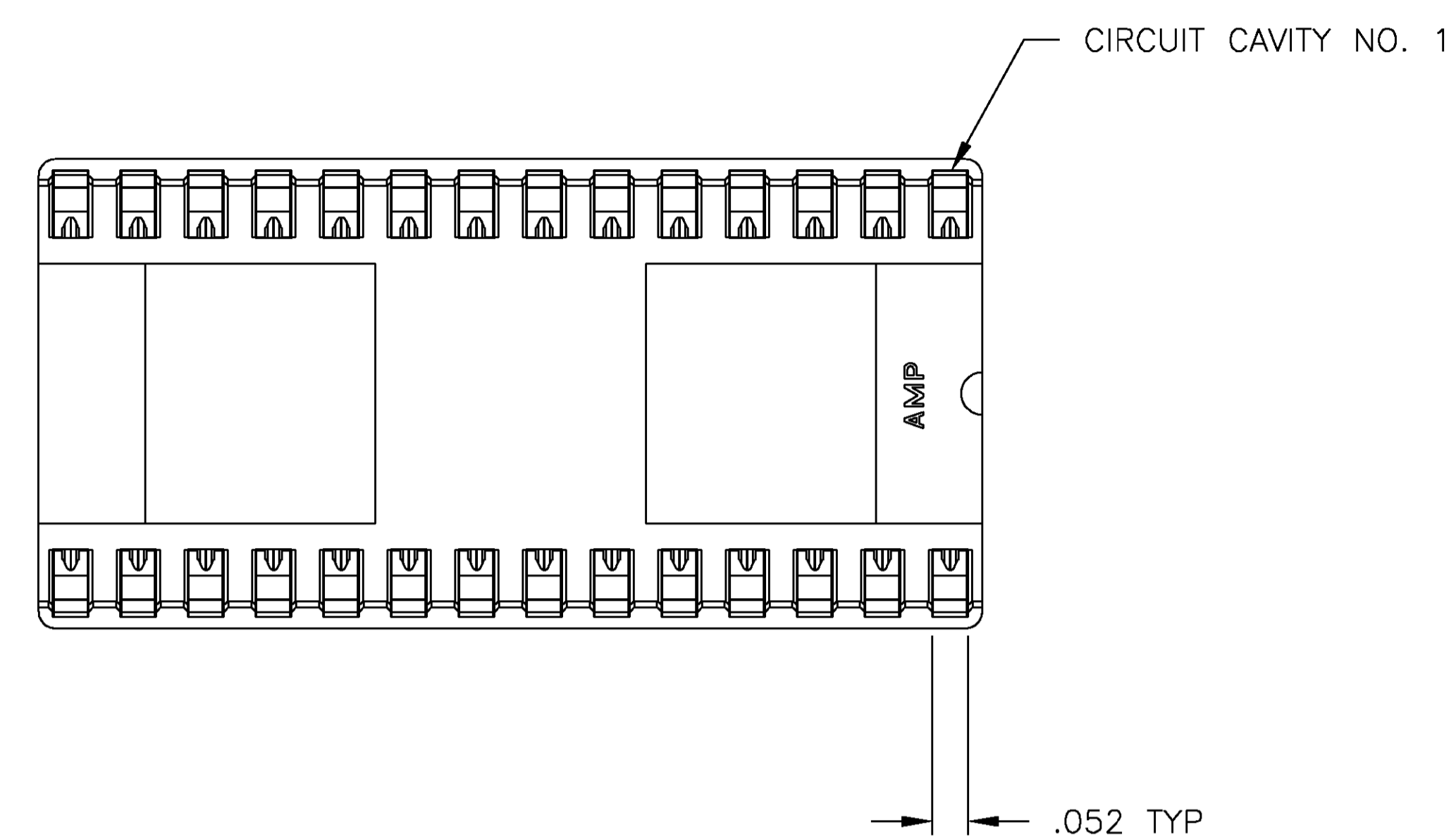


1. RECEPTACLE ACCEPTS A .008-.014 THICK I.C. LEAD.
2. TUBE LOADED.
3. TWO .000015 MIN THK. GOLD STRIPES IN CONTACT AREA WITH TIN-LEAD (93/7) ON SOLDER LEGS, BALANCE OF CONTACT NICKEL PLATED.



OBSOLETE	3	PHOS. BRZ	BROWN GLASS-FILLED PCT	2-382467-4
		TINNED	PHOS. BRZ	BROWN GLASS-FILLED PCT
		TINNED	BE.CU.	BROWN GLASS-FILLED PCT
		CONTACT FINISH	CONTACT MAT'L	HOUSING MATERIAL
				PART NO.

THIS DRAWING IS A CONTROLLED DOCUMENT.		REVISED BY		DATE	
DIMENSIONS: INCHES		TOLERANCES UNLESS OTHERWISE SPECIFIED:		APPROVED BY	
0 PLC	± -	1 PLC	± -	NAME	
1 PLC	± -	2 PLC	± -	PRODUCT SPEC	
2 PLC	± -	3 PLC	± .005	108-1066	
3 PLC	± -	4 PLC	± -	APPLICATION SPEC	
4 PLC	± -	ANGLES	± -	114-1052	
MATERIAL SEE TABLE	FINISH SEE TABLE	WEIGHT	-	SIZE	CAGE CODE
				A1	00779
				DRAWING NO	382467
				CUSTOMER DRAWING	SCALE 5:1
				SHEET 1 OF 1	REV G