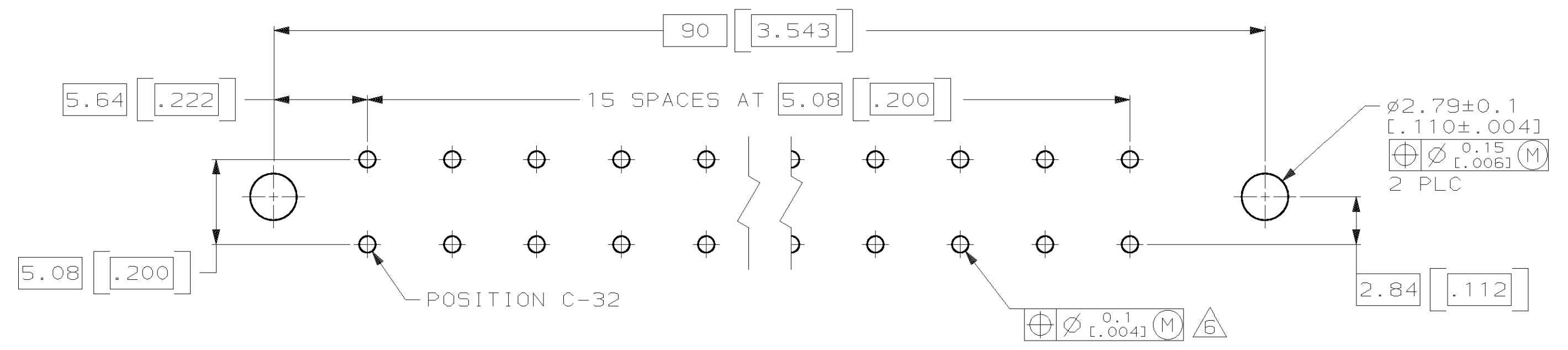
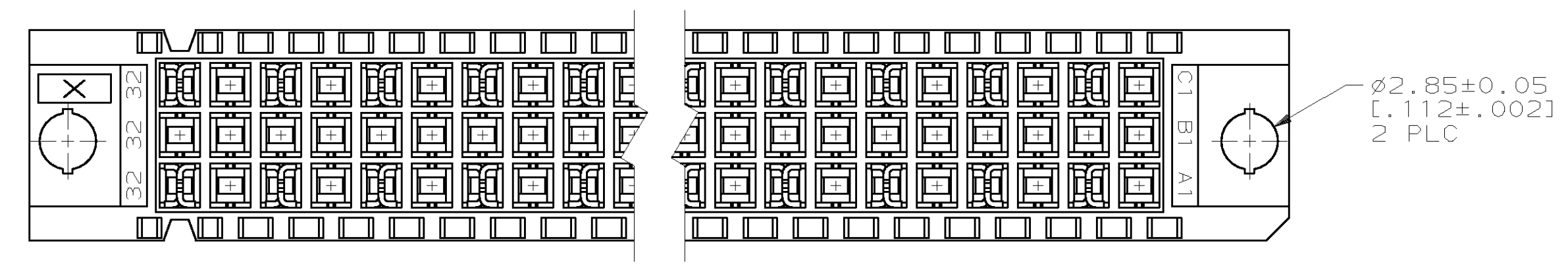
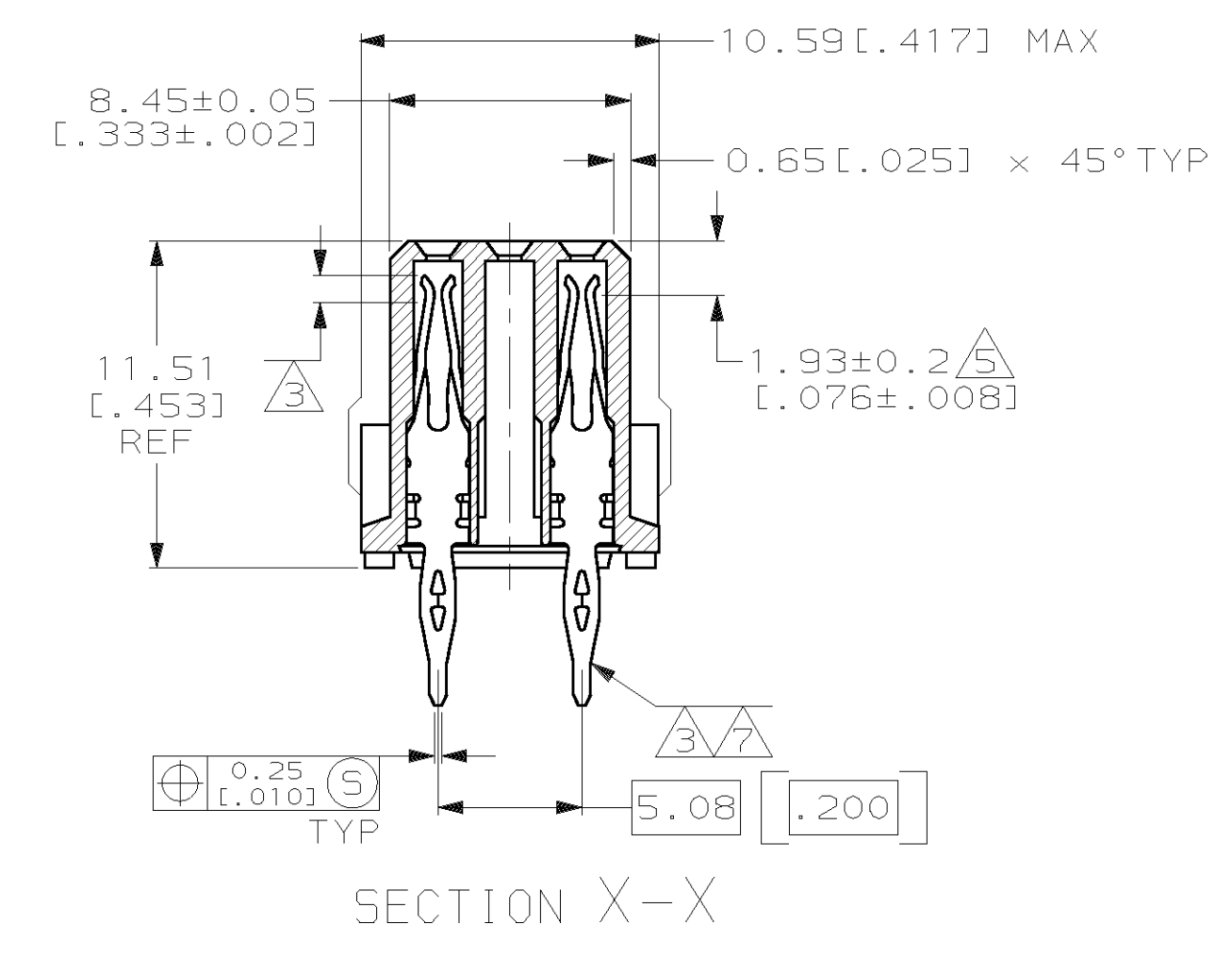
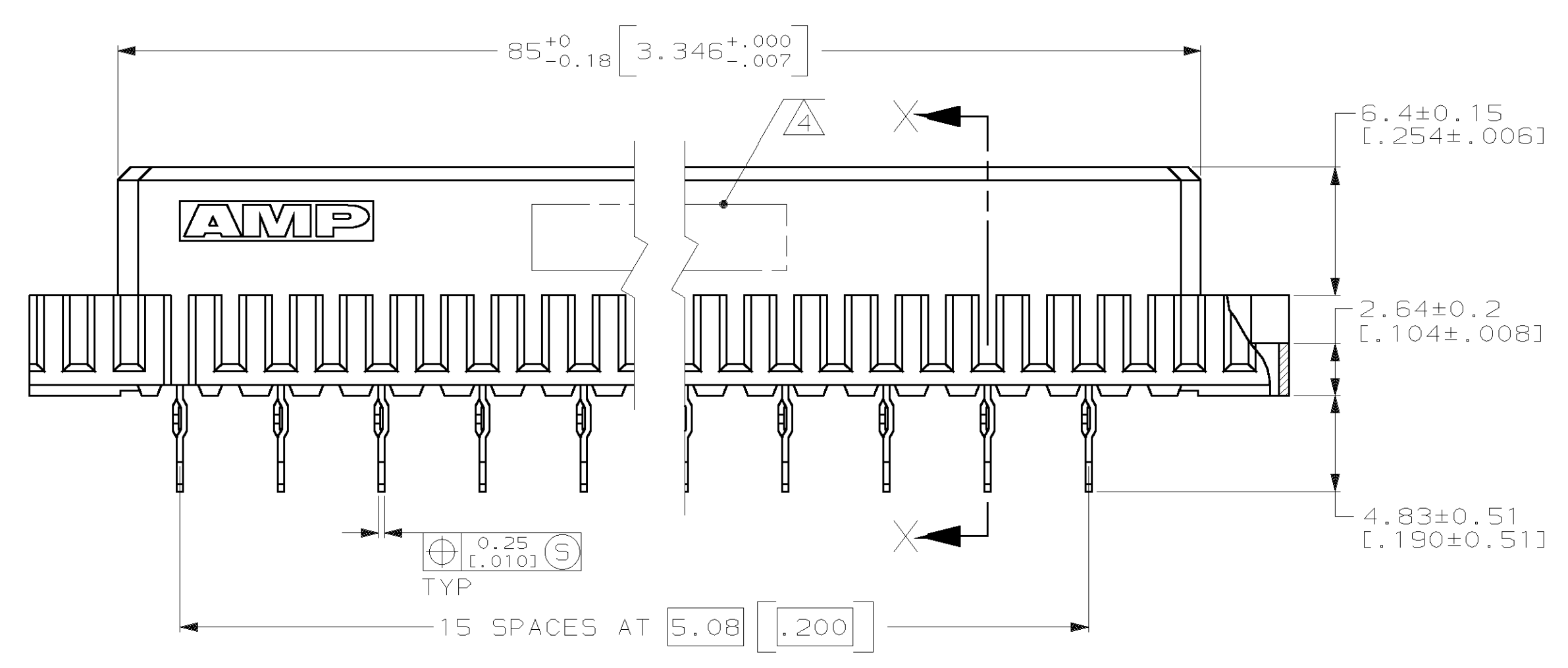
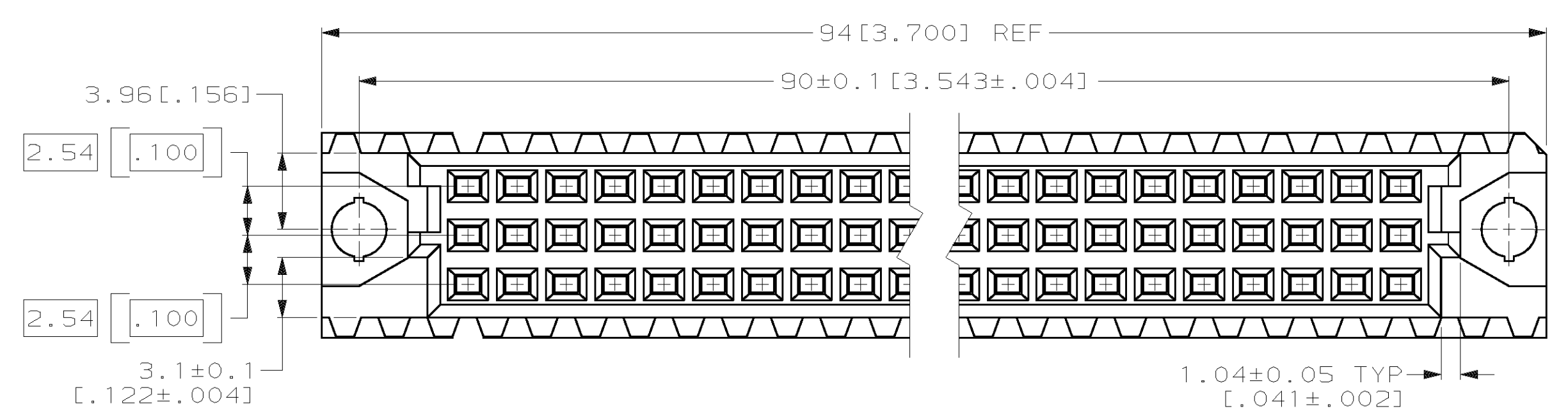


LOC	DIST	P	F	ZONE	LTR	DESCRIPTION	DATE	APPD
AD	25				E	EC 0010-1434-95	1/18/96	RAP
					F	EC 0010-1486-95	4/1/96	CR
					G	REV PER EC OUTB-0367-00	09 JAN 01	CR

- ① HOUSING MATERIAL: GLASS-FILLED POLYESTER. COLOR: GRAY.
- ② CONTACT MATERIAL: PHOSPHOR BRONZE.
- ③ CONTACT FINISH: 0.000762[.000030] GOLD IN CONTACT AREA. 0.00127[.000050] NICKEL UNDERPLATE ALL OVER. TIN-LEAD ON POSTS.
- ④ PART NUMBER, DATE CODE IDENTIFICATION, CSA LOGO IN THIS APPROXIMATE AREA, ON REVERSE SIDE.
- ⑤ POINT OF MEASUREMENT FOR GOLD.
- ⑥ ACTION PIN POSTS REQUIRE 1.57[.062] MINIMUM THICK PC BOARD. RECOMMENDED PC BOARD HOLES ARE Ø1.151±0.02[.0453±.001] DRILLED HOLE WITH 0.02-0.08[.001-.003] COPPER AND 0.008[.0003] MINIMUM TIN-LEAD PLATING. FINISHED HOLE AFTER PLATING, Ø0.94-1.09[.037-.043].
- ⑦ CONTACT FINISH: DIN 41612 CLASS 2 IN CONTACT AREA. TIN-LEAD ON POSTS.



SUPERSEDED BY 650850-5	①	2,4,6,8...30,32	X	-	X	32	650850-5
	③	2,4,6,8...30,32	X	-	X	32	650850-4
POSITIONS LOADED			C	B	A	NO. OF LOADED POSITIONS	ASSY PART NUMBER

DO NOT SCALE PRINT. UNLESS SPECIFIED DIMENSIONS IN mm [INCHES]. TOLERANCES ON: 1 PLC DEC ± - 2 PLC DEC ± 0.13[.005] ANGLES ± -	DR L. BRINER 6/1/90 CHK N. DRASHER 12/31/91 APPD N. DRASHER 12/31/91 APPD K.R. PARMER 12/31/91	AMP INCORPORATED Harrisburg, Pa. 17105	
HOUSING: ① CONTACT: ②	MATERIAL	NAME	
FINISH	APPLICATION SPEC	RECEPTACLE ASSEMBLY, EUROCARD, TYPE "C"	
CONTACT: ③⑦	WEIGHT	SIZE D	FSCM NO 00779
		DRAWING NO	650850
		SCALE	4:1
		SHEET	1 OF 1