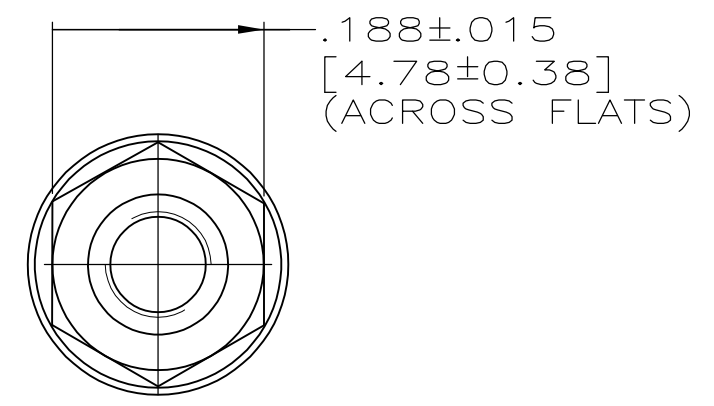
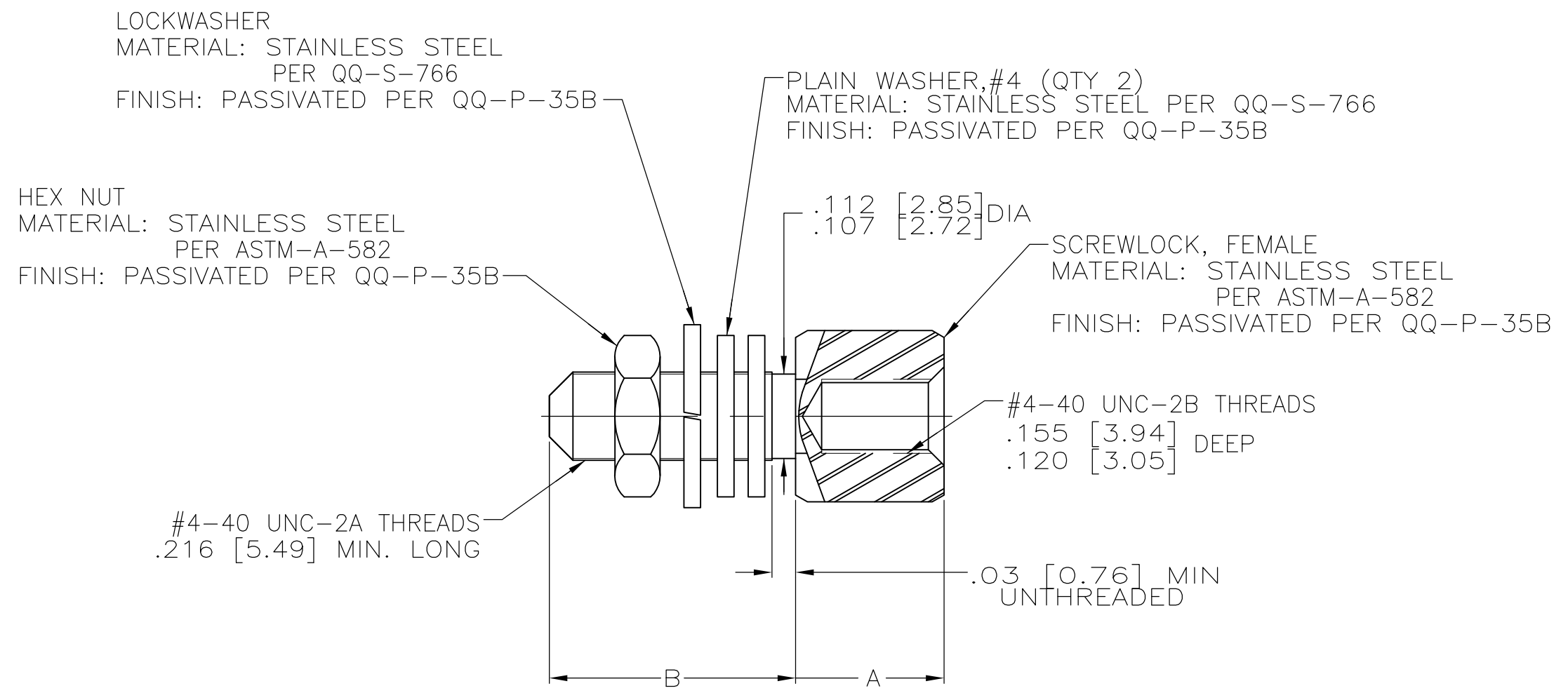


THIS DRAWING IS UNPUBLISHED. RELEASED FOR PUBLICATION
 © COPYRIGHT - By - ALL RIGHTS RESERVED.

LOC	DIST	REVISIONS			
P	LTR	DESCRIPTION	DATE	DWN	APVD
DF	DO	F1	REVISED PER ECO-11-005030	23MAR11	RK HMR



1. PACKAGED UNASSEMBLED.
2. EACH KIT HAS TWO COMPLETE ASSEMBLIES AS SHOWN ABOVE.
3. WHEN A CLINCH TAB TYPE CONNECTOR IS FRONT MOUNTED, ONE FLAT WASHER SHALL BE USED AS A SPACER BETWEEN THE MOUNTING SURFACE AND THE CONNECTOR.

.560 [14.22]	.223 [5.66]	-	212447-2
.312 [7.92]	.188 [4.78]	M24308/26-1P	212447-1
B .015 [0.38]	A .015 [0.38]	MILITARY PART NO	PART NO

THIS DRAWING IS A CONTROLLED DOCUMENT.		DWN J.LINDERMAN 1-6-93	STE TE Connectivity															
		CHK F.KINSEY 1-8-93																
DIMENSIONS: INCHES[MM]		APVD F.KINSEY 1-8-93	NAME															
TOLERANCES UNLESS OTHERWISE SPECIFIED:		PRODUCT SPEC	KIT, SCREWLOCK ASSEMBLY, FEMALE STAINLESS STEEL, AMPLIMITE															
<table border="0"> <tr><td>0 PLC</td><td>± -</td></tr> <tr><td>1 PLC</td><td>± -</td></tr> <tr><td>2 PLC</td><td>± -</td></tr> <tr><td>3 PLC</td><td>± -</td></tr> <tr><td>4 PLC</td><td>± -</td></tr> <tr><td>ANGLES</td><td>± -</td></tr> </table>		0 PLC	± -	1 PLC	± -	2 PLC	± -	3 PLC	± -	4 PLC	± -	ANGLES	± -	APPLICATION SPEC	SIZE	CAGE CODE	DRAWING NO	RESTRICTED TO
0 PLC	± -																	
1 PLC	± -																	
2 PLC	± -																	
3 PLC	± -																	
4 PLC	± -																	
ANGLES	± -																	
MATERIAL SEE CALLOUTS		FINISH SEE CALLOUTS	A300779 C-212447		-													
CUSTOMER DRAWING			SCALE 6:1	SHEET 1 OF 1	REV F1													