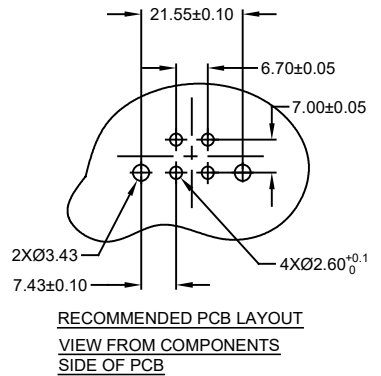
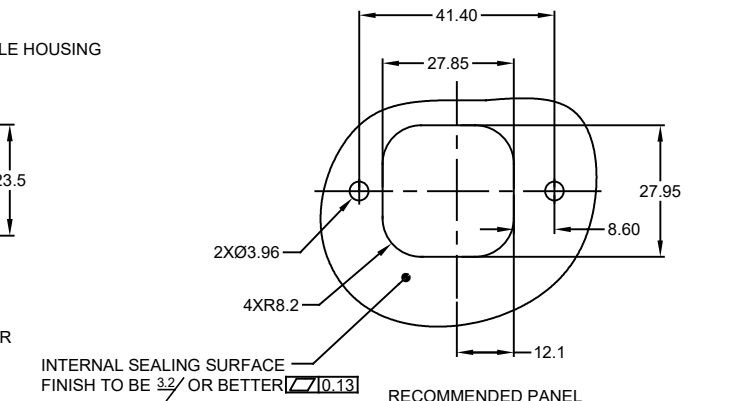
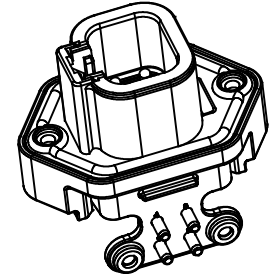
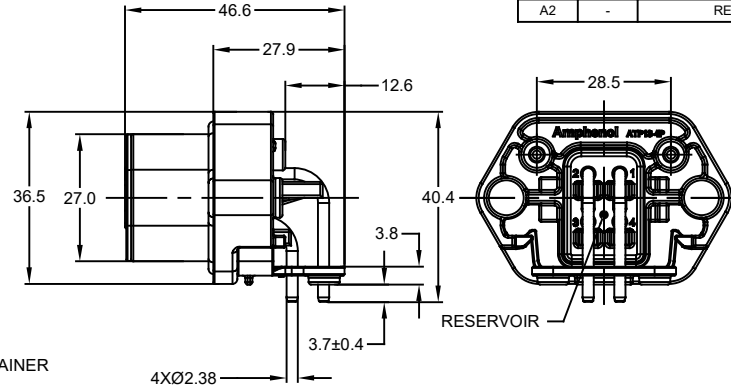
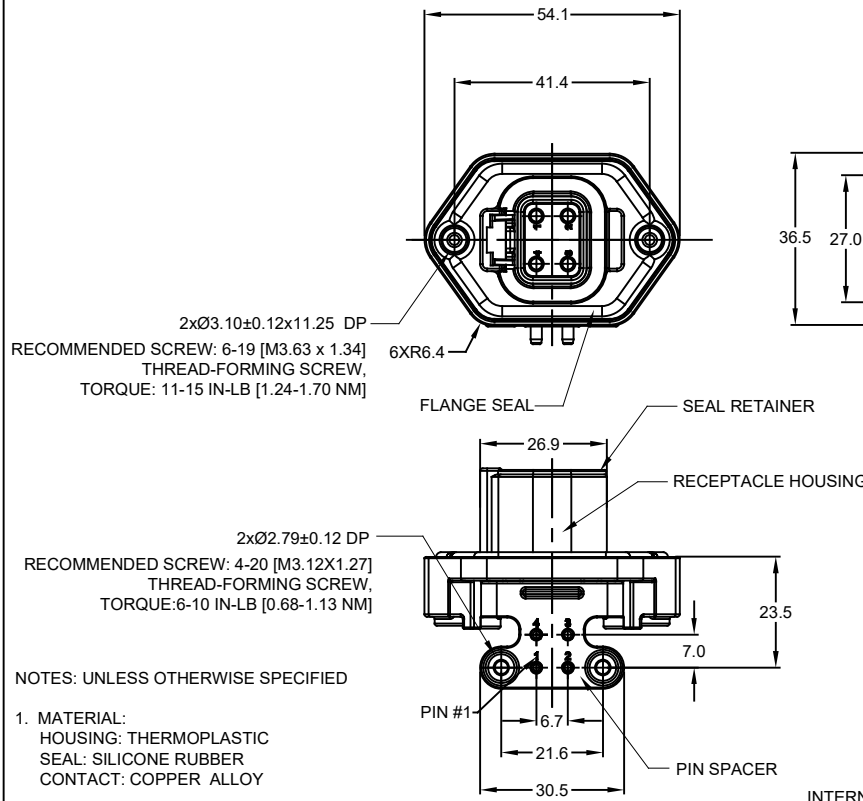


REVISIONS					
REV	ECO	DESCRIPTION	DATE	BY	APPR
A1	-	RELEASE	6JUN19	JAH	TOMMY
A2	-	REVISED DRAWING	10JUL20	JHEAD	DH



ATP13-4P-BM0XXXX VARIANTS			
CONTACT PLATING	POTTING OR NOT IN RESERVOIR	COLOR	PART NUMBER
GOLD	NO POTTING	GRAY	ATP13-4P-BM01GRY
GOLD	POTTING	GRAY	ATP13-4P-BM02GRY
TIN	NO POTTING	GRAY	ATP13-4P-BM03GRY
TIN	POTTING	GRAY	ATP13-4P-BM04GRY
GOLD	NO POTTING	BLACK	ATP13-4P-BM01BLK
GOLD	POTTING	BLACK	ATP13-4P-BM02BLK
TIN	NO POTTING	BLACK	ATP13-4P-BM03BLK
TIN	POTTING	BLACK	ATP13-4P-BM04BLK

ATP13-4P-BM0XXXX		REF: DTP13-4P	
PART NUMBER		DESCRIPTION	
ITEM		ITEM	
MATERIALS LIST			
QUANTITY	SIGNATURES	DATE	<p>Sine Systems - www.amphenol-sine.com 44724 Morley Drive Clinton Township, MI 48036</p>
UNLESS OTHERWISE SPECIFIED	ENGINEER	DATE	
1) All dimensions are in metric (mm).	CHECKED	DATE	
2) Tolerances are as follows: 1 PL DEC ±0.30   Fractions ±1/64 2 PL DEC ±0.15   Angles ±1° 3 PL DEC ±0.08	APPROVAL	DATE	
3) Note reference =	CUSTOMER:		
MATERIAL SPECIFICATIONS:	THIS DRAWING IS SUPPLIED FOR INFORMATION ONLY. DESIGN FEATURES, SPECIFICATIONS AND PERFORMANCE DATA SHOWN HEREON ARE THE PROPERTY OF THE AMPHENOL CORPORATION. NO RIGHTS OF REPRODUCTION ARE IMPLIED. ALL DIMENSIONS ARE SUBJECT TO NORMAL MANUFACTURING VARIATIONS.		
PROCESS SPECIFICATIONS:	SIZE	TYPE	DWG NO.
NEXT ASSY:	B	C-	ATP13-4P-BM0XXXX
	SCALE	NONE	REVISION
			A2
			SHEET 1 OF 1

TITLE: BOARDLOCK PCB MOUNT RECEPTACLE 4PIN RA FLANGE ATP SERIES  
 DWG NO.: ATP13-4P-BM0XXXX  
 REV: A2  
 SH: 1  
 OF: 1