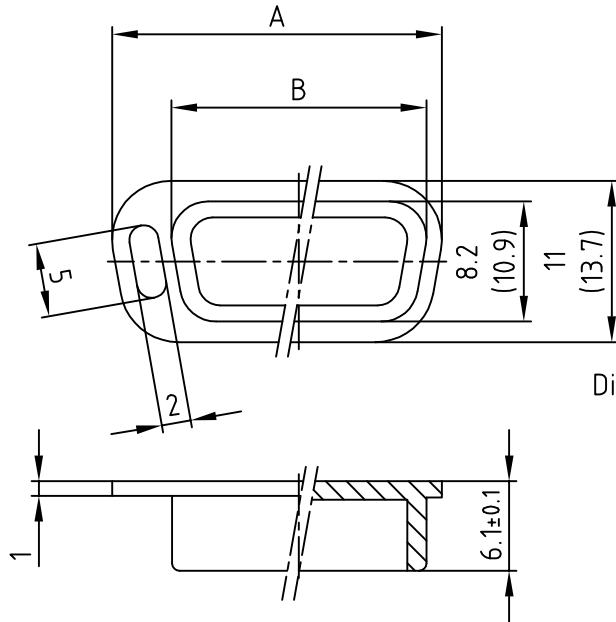


used for: D-SUB



Dimensions in (---) = 50pos.

No. of pos.	A	B	PART-NO.
9	22.5	16.9	160X10409X
15	30.65	25.05	160X10419X
25	44.4	38.8	160X10429X
37	60.75	55.15	160X10439X
50	58.15	52.55	160X10969X

Directive 2011/65/EU RoHS compliant

THIS DRAWING MAY NOT BE COPIED OR REPRODUCED IN ANY WAY, AND MAY NOT BE PASSED ON TO A THIRD PARTY WITHOUT WRITTEN PERMISSION.
OWNERSHIP AND COPYRIGHT OF CONEC GmbH
DO NOT ALTER CAD DRAWING BY HAND

tolerance			
2002	date	name	
drawn	07.05.	Schmidt	
appd.	07.05.	Mickenbecker	
norm			
d-old			
1 x b	Ä6491	30.01.2017	E.Mick.
rev.	description	date	name



scale:	2:1	
material:	ⓑ PP UL 94 V-0 black	
title:	PLASTIC DUST CAP for all D-Subminiature sizes 9 - 50 pos. for plug connector	
dwg no:	CAD/ 2000	DIN-A 4
	16K1A680	sh: 1/1
product no:	SEE TABLE	