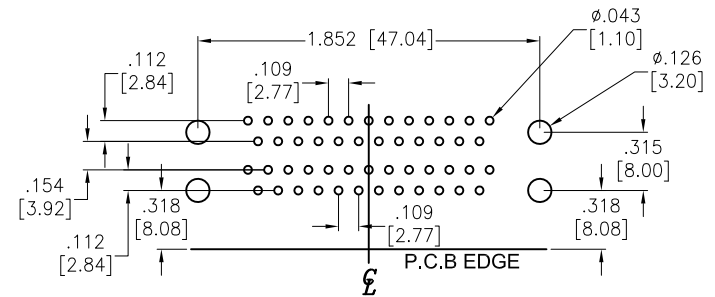
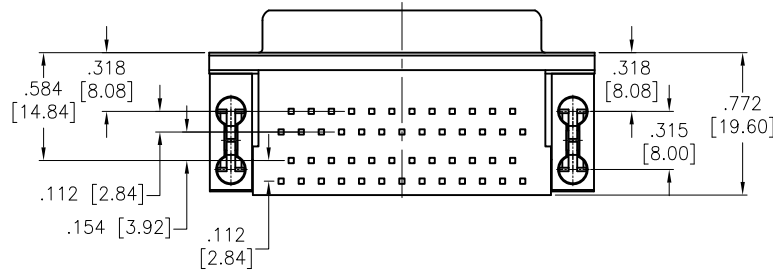
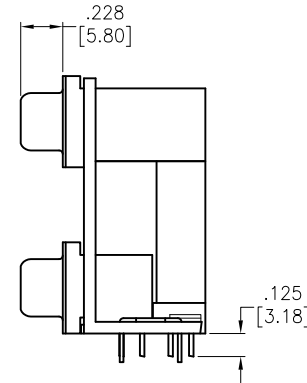
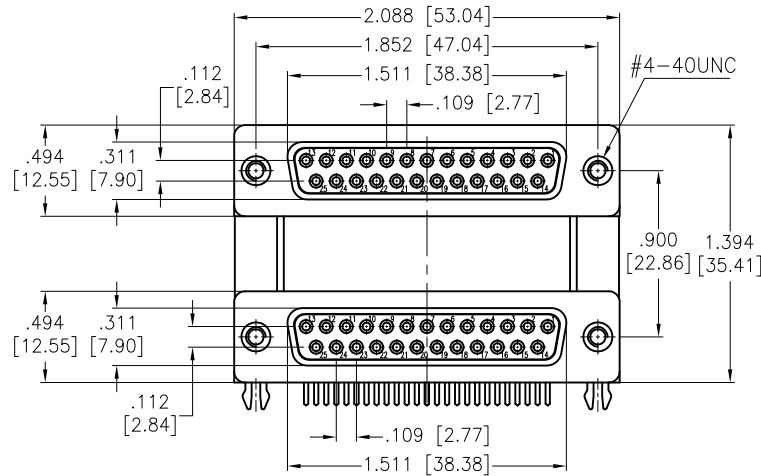


APPROVED: \_\_\_\_\_  
 DATE: \_\_\_\_\_ TITLE: \_\_\_\_\_

Rev	AWO #	Description	Date	Appr
-		RELEASED	6/14/18	



RECOMMENDED PCB LAYOUT

SPECIFICATIONS:

Material:  
 Insulator: PBT, rated UL 94V-0  
 Insulator color: Black  
 Contacts: Copper Alloy  
 Shell: SPCC, Nickel plated  
 Boardlock: Copper Alloy, Tin plated  
 Bracket: Zinc Alloy, Nickel plated  
 Plating:  
 Gold flash over Nickel underplate in contact area,  
 Tin over Nickel underplate on solder tails.  
 Electrical:  
 Operation Voltage: 250 VAC (RMS) max  
 Current rating: 3 Ampere per Contact  
 Contact resistance: 25 mohms max  
 Insulation resistance: 5,000 Mohms min  
 Dielectric withstanding voltage: 1,000 VAC (RMS)  
 Temperature Rating:  
 Operating temperature: -55°C to +85°C  
 Environmental:  
 Lead free, RoHS compliant



UNLESS OTHERWISE SPECIFIED ALL DIMENSIONS ARE INCHES [MM] TOLERANCES: EXCEPT AS NOTED		
INCHES		
.X ± .10	∅.X ± .10	HOLES
.XX ± .020	∅.XX ± .015	
.XXX ± .015	∅.XXX ± .010	
APPROVALS		DATE
DRAWN	AY	6/14/18
CHECKED	KC	6/14/18
APPROVED		

**ADAM TECH INTERCONNECTS** 909 Rahway Avenue,  
 Union, NJ 07083  
 Phone: 908-687-5000  
 Fax: 908-687-5710

TITLE DUAL PORT D-SUB, 25P FEMALE OVER 25P FEMALE, FORKED BOARDLOCKS		
SIZE X	PART NO. DPD-25-00-A3	REV. -
REF: S00027T	SCALE: NTS	SHEET 1 OF 1