



**ANATECH ELECTRONICS INC**  
RF & Microwave Filters & Products

# 540 MHz LC Band Pass Filter

**Part Number: AE540B11244**



## Electrical Specifications

**Center Frequency:** 540 MHz  
**3dB Bandwidth:** 300 MHz  
**Pass Band:** 390-690 MHz  
**Insertion Loss:** 1.25 dB Max  
**Linear Phase:**  $\pm 1.5$  Degrees from 500-580 MHz  
**Input Power (Max to 10K FT):** 1 W Max Average  
2 W Max Peak

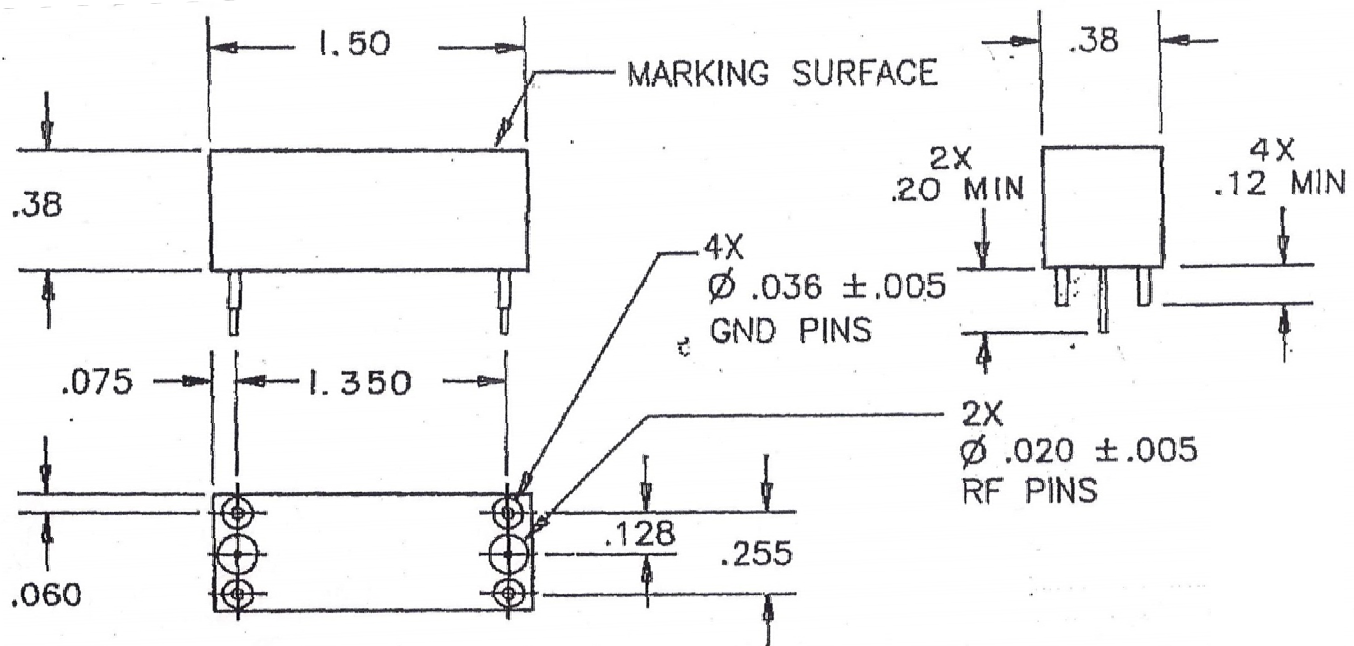
## Mechanical

**Connector Type:** RF Pins  
**Dimensions:** 1.50 x 0.38 x 0.38 Inches

## Environmental

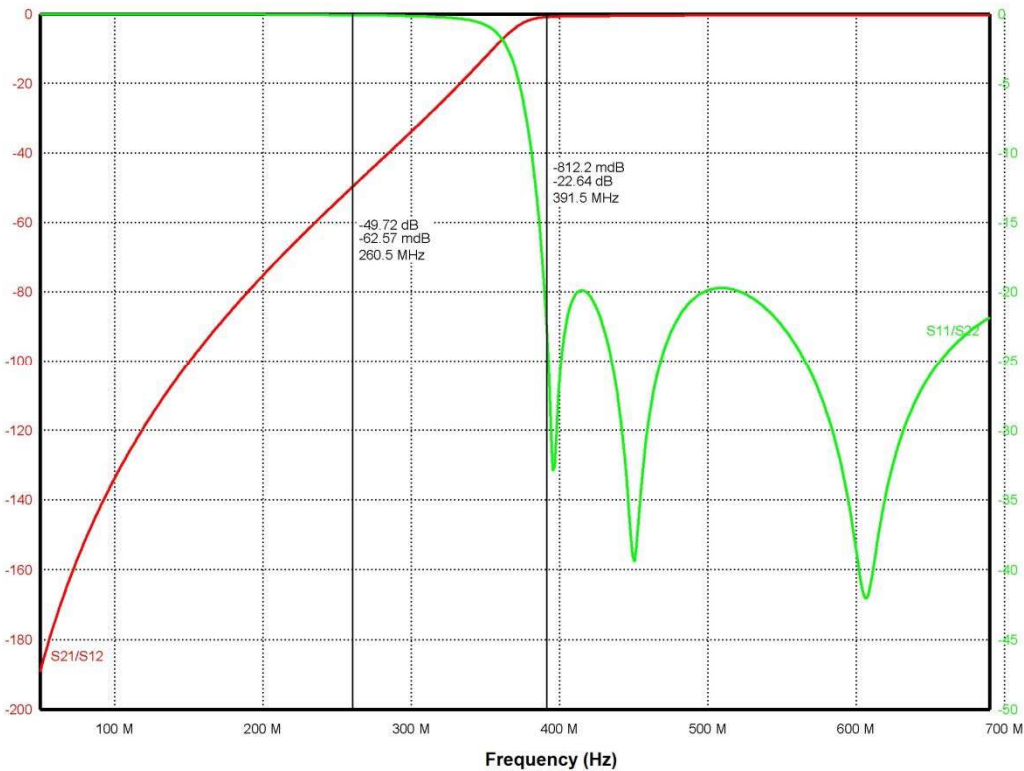
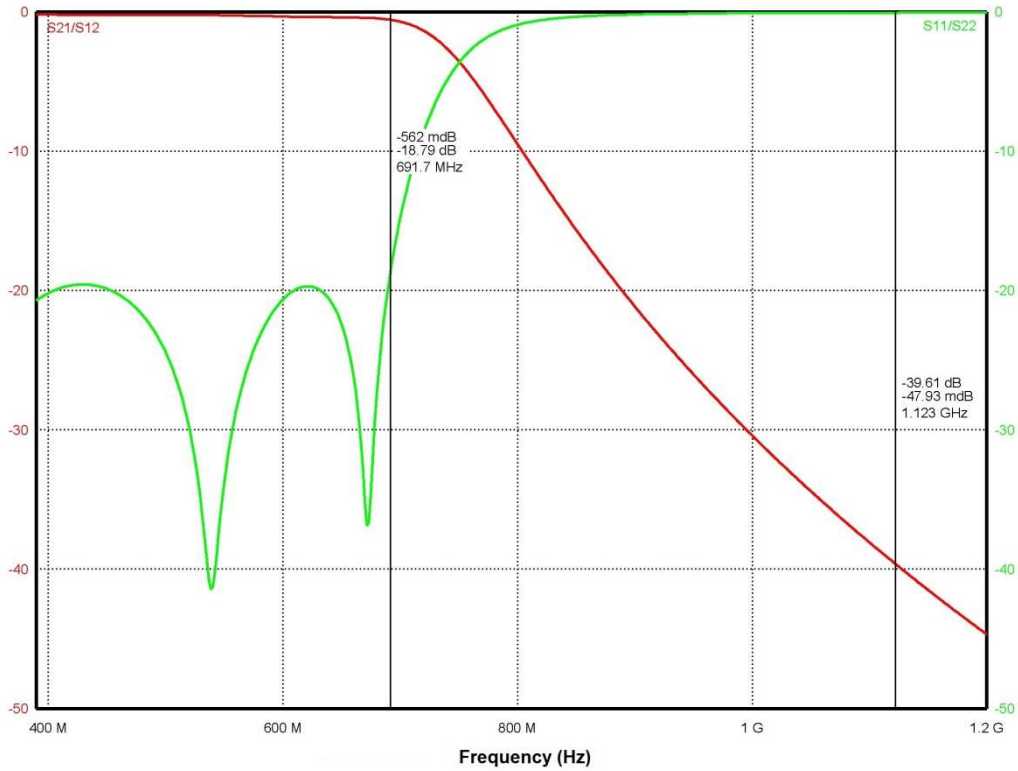
**Operating Temperature:** -40 to +85° C  
**Storage Temperature:** -55 to +125° C  
**Shock:** 20 G. 11 ms  
**Vibration:** 10 G. 10 to 500 Hz  
**Relative Humidity:** 95%

## Outline Drawing:





### Response Plot:



**Note:** This is a simulation plot. Actual results may differ once the product is implemented.