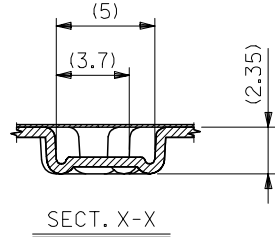
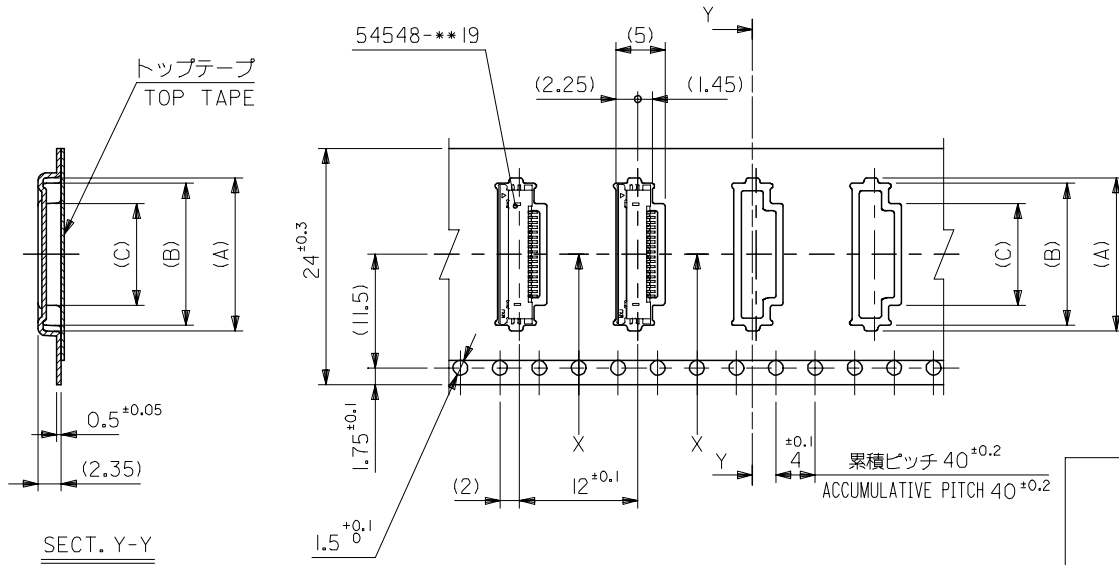


10 9 8 7 6 5 4 3 2 1

引き出し方向
PULL OUT DIRECTION



SECT. Y-Y

24mm幅キャリアテープ
24mm WIDTH CARRIER TAPE

24	29.4	25.4	12.3	16.4	17.5	54548-2270	22
			11.8	15.9	17	54548-2170	21
			11.3	15.4	16.5	54548-2070	20
			10.8	14.9	16	54548-1970	19
			10.3	14.4	15.5	54548-1870	18
			9.8	13.9	15	54548-1770	17
			9.3	13.4	14.5	54548-1670	16
			8.8	12.9	14	54548-1570	15
			8.3	12.4	13.5	54548-1470	14
			7.8	11.9	13	54548-1370	13
			7.3	11.4	12.5	54548-1270	12
			6.8	10.9	12	54548-1170	11
			6.3	10.4	11.5	54548-1070	10
			5.8	9.9	11	54548-0970	9
5.3	9.4	10.5	54548-0870	8			
4.8	8.9	10	54548-0770	7			
キャリアテープ幅 CARRIER TAPE WIDTH	E	D	(C)	(B)	(A)	製品番号 MATERIAL No.	極数 CIRCUIT

REVISED	DESCRIPTION
EC No: J2005-2516	2005/02/28
DRWN: MABEI	2005/02/28
CHKD: KTOYODA	2005/03/07
APPR: NUKITA	

GENERAL TOLERANCES (UNLESS SPECIFIED)	
10 UNDER	±0.2
10 OVER 30 UNDER	±0.25
30 OVER	±0.3
ANGULAR	±3 °
DRAFT WHERE APPLICABLE MUST REMAIN WITHIN DIMENSIONS	

DIMENSION STYLE MM ONLY	
DRAWN BY Y. WADA	DATE 2004/01/09
CHECKED BY M. SASAO	DATE 2004/01/09
APPROVED BY M. SASAO	DATE 2004/01/09
MATERIAL NO. SEE CHART	
SIZE A3	

54548-**-70	MODEL NO.
SCALE 2:1	DESIGN UNITS METRIC
THIRD ANGLE PROJECTION	
TITLE EMBSTP PKG FOR 0.5 FPC CONN ZIF HSG ASSY -LEAD FREE-	
MOLEX INCORPORATED	
DOCUMENT NO. SD-54548-038	SHEET NO. 3 OF 4

10 9 8 7 6 5 4 3 2 1

F

引き出し方向
PULL OUT DIRECTION

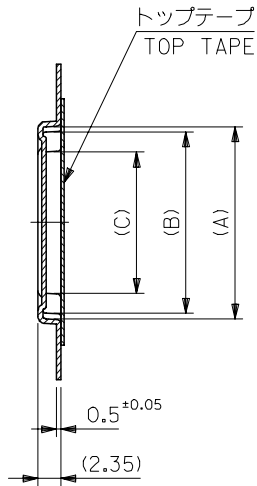
E

D

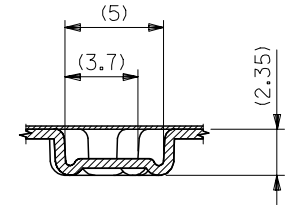
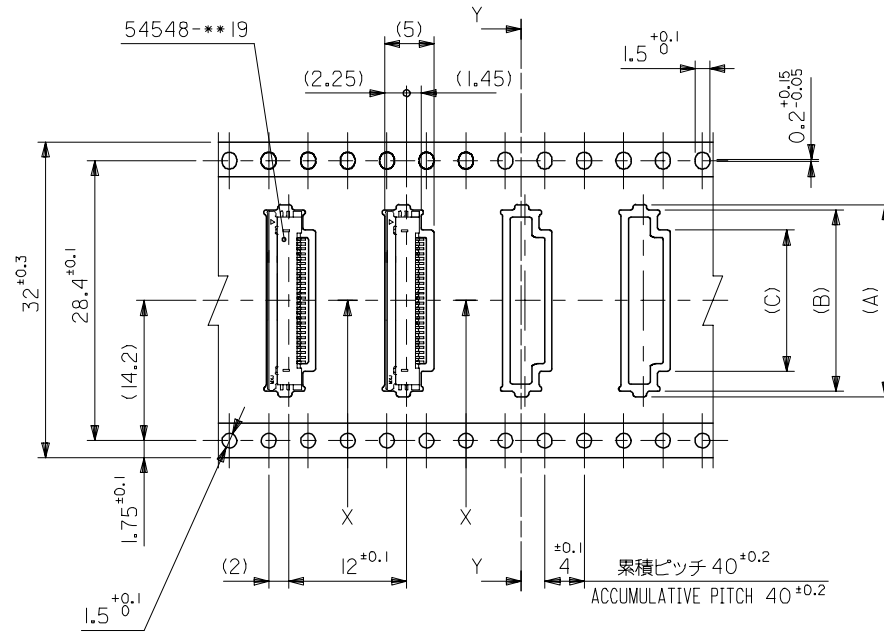
C

B

A



SECT. Y-Y



SECT. X-X

32mm幅キャリアテープ
32mm WIDTH CARRIER TAPE

32	37.4	33.4	14.3	18.4	19.5	54548-2670	26
キャリアテープ幅 CARRIER TAPE WIDTH	E	D	(C)	(B)	(A)	54548-2470	24
						製品番号 MATERIAL No.	極数 CIRCUIT

REVISED EC NO: J2005-2516 DRAWN: NABEI 2005/02/28 CHKD: KTOYODA 2005/02/28 APPR: NUKITA 2005/03/07	GENERAL TOLERANCES (UNLESS SPECIFIED)		DIMENSION STYLE MM ONLY		SCALE 2:1	DESIGN UNITS METRIC	THIRD ANGLE PROJECTION	
	10 UNDER	±0.2	DRAWN BY Y. WADA		DATE 2004/01/09		TITLE EMBSTP PKG FOR 0.5 FPC CONN ZIF HSG ASSY -LEAD FREE-	
	10 OVER 30 UNDER	±0.25	CHECKED BY M. SASAO		DATE 2004/01/09			
	30 OVER	±0.3	APPROVED BY M. SASAO		DATE 2004/01/09		MOLEX INCORPORATED DOCUMENT NO. SD-54548-038 SHEET NO. 4 OF 4	
ANGULAR ±3 °		MATERIAL NO.		SEE CHART				
DRAFT WHERE APPLICABLE MUST REMAIN WITHIN DIMENSIONS			SIZE A3		THIS DRAWING CONTAINS INFORMATION THAT IS PROPRIETARY TO MOLEX INCORPORATED AND SHOULD NOT BE USED WITHOUT WRITTEN PERMISSION			

9

8

7

6

5

4

3

2