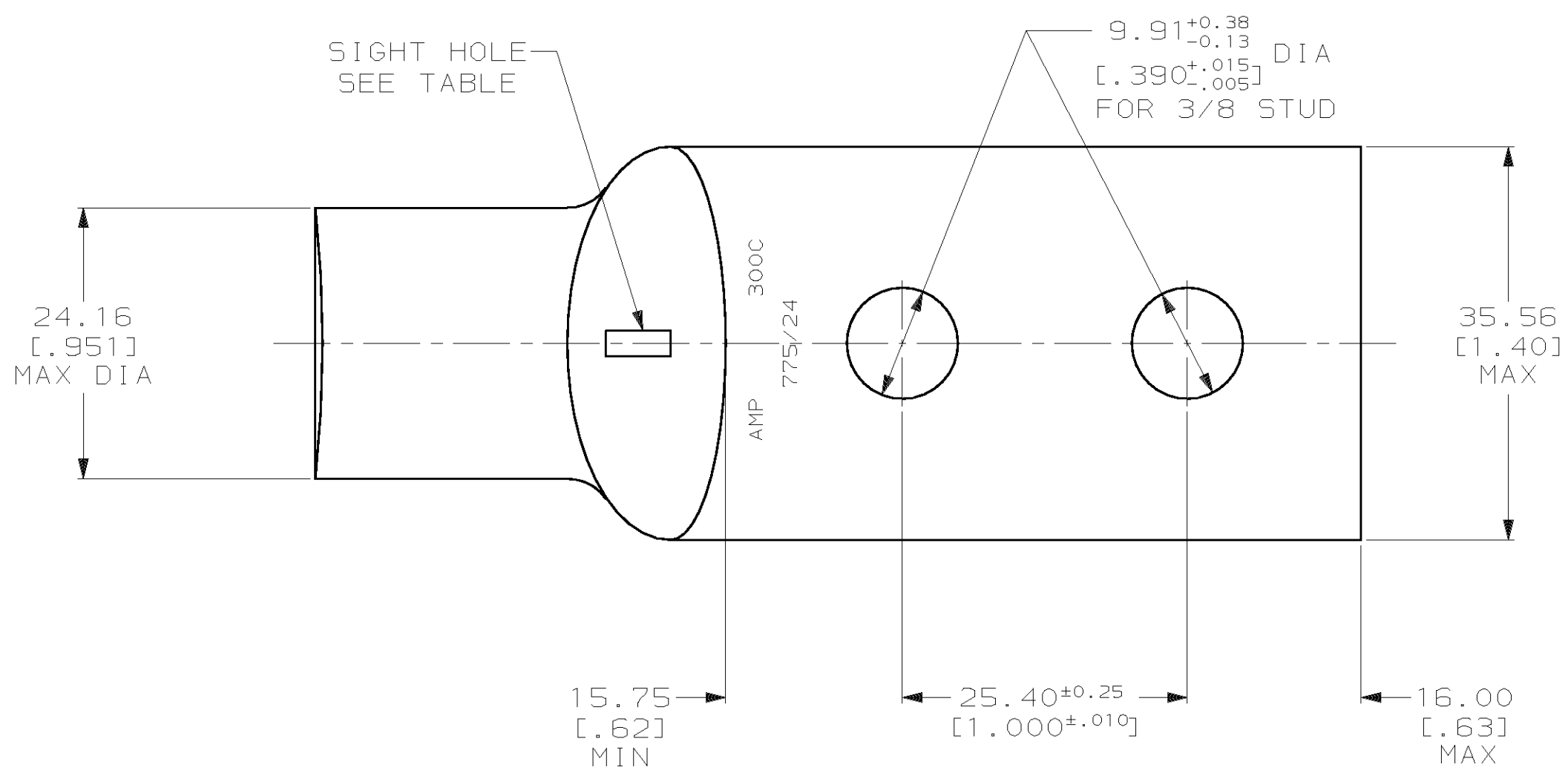
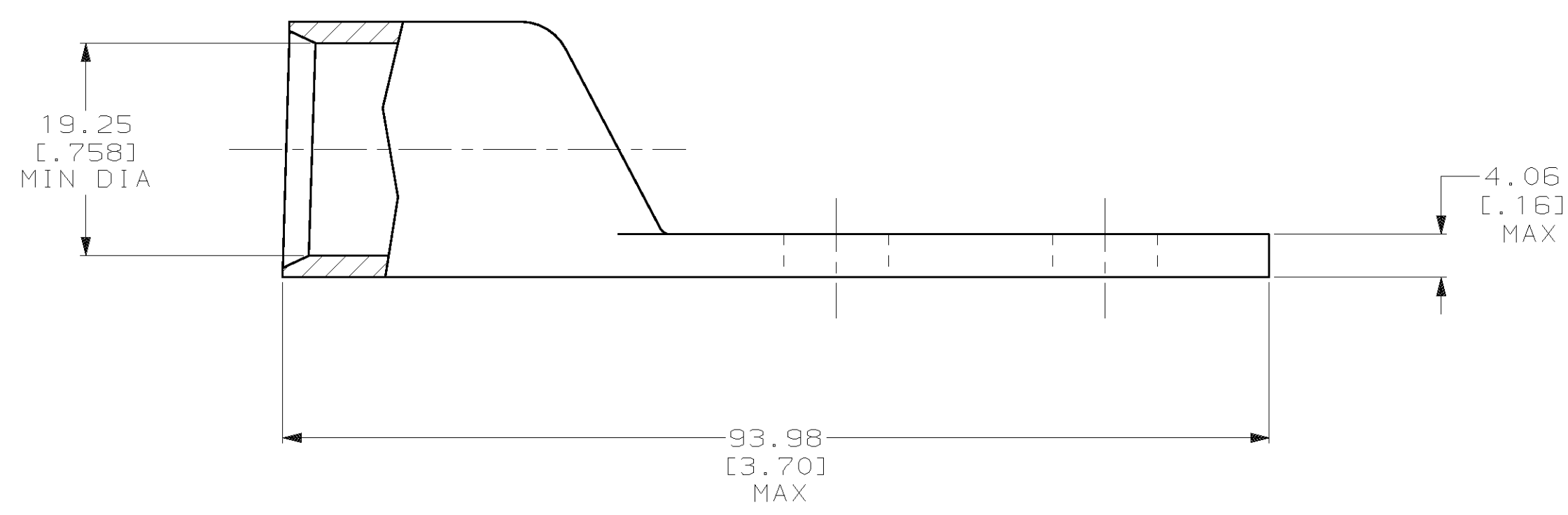


THIS DRAWING IS UNPUBLISHED. RELEASED FOR PUBLICATION, 19 .
 © COPYRIGHT 19 BY AMP INCORPORATED. ALL INTERNATIONAL RIGHTS RESERVED.

LOC		DIST		REVISIONS				DATE	APPD
ZONE	LTR	DESCRIPTION	DATE	APPD					
G	86	P	F	U	REV PER 063A-0561-01	090CT02	JR		



1 CIRCULAR MIL AREA RANGE: 275-325 MCM
 2 TIN PL 0.00381 [.000150] MIN THK PER MIL-T-10727



METRIC

DO NOT SCALE PRINT. UNLESS SPECIFIED DIMENSIONS IN mm [INCHES] TOLERANCES ON : 2 PLC DEC ± 0.51 [.020] 3 PLC DEC ± - ANGLES ± -	DR 02/28/90 DK SCHRUM
MATERIAL ANNEALED COPPER ASTM B-188	CHK 23JAN95 MS FEHER
FINISH 2	APPD 23JAN95 WJ VOCKROTH
	APPD 23JAN95 TL SHUTTER
	PRODUCT SPEC 108-30200
	APPLICATION SPEC -
	WEIGHT .215 LB

NONE	326805-1
REQUIRED	326805
SIGHT HOLE	PART NO
AMP AMP INCORPORATED Harrisburg, Pa. 17105	
NAME TERMINAL, AMPPOWER, WIRE SIZE: 300 MCM	
SIZE C	CAGE CODE 00779
SCALE 2:1	DRAWING NO 326805
	SHEET 1 OF 1