

4

3

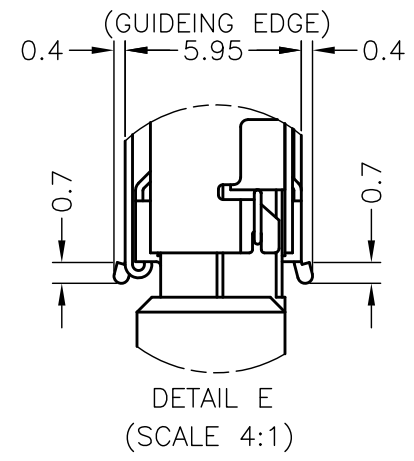
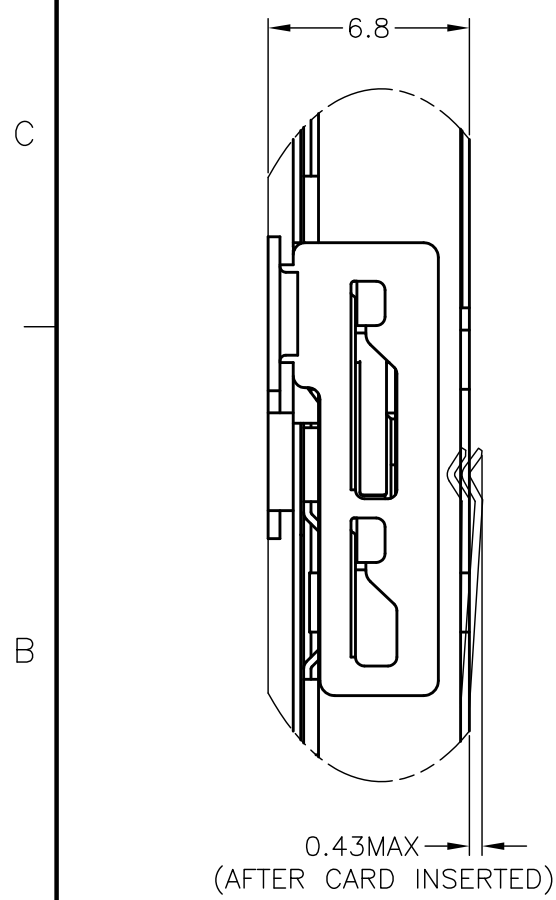
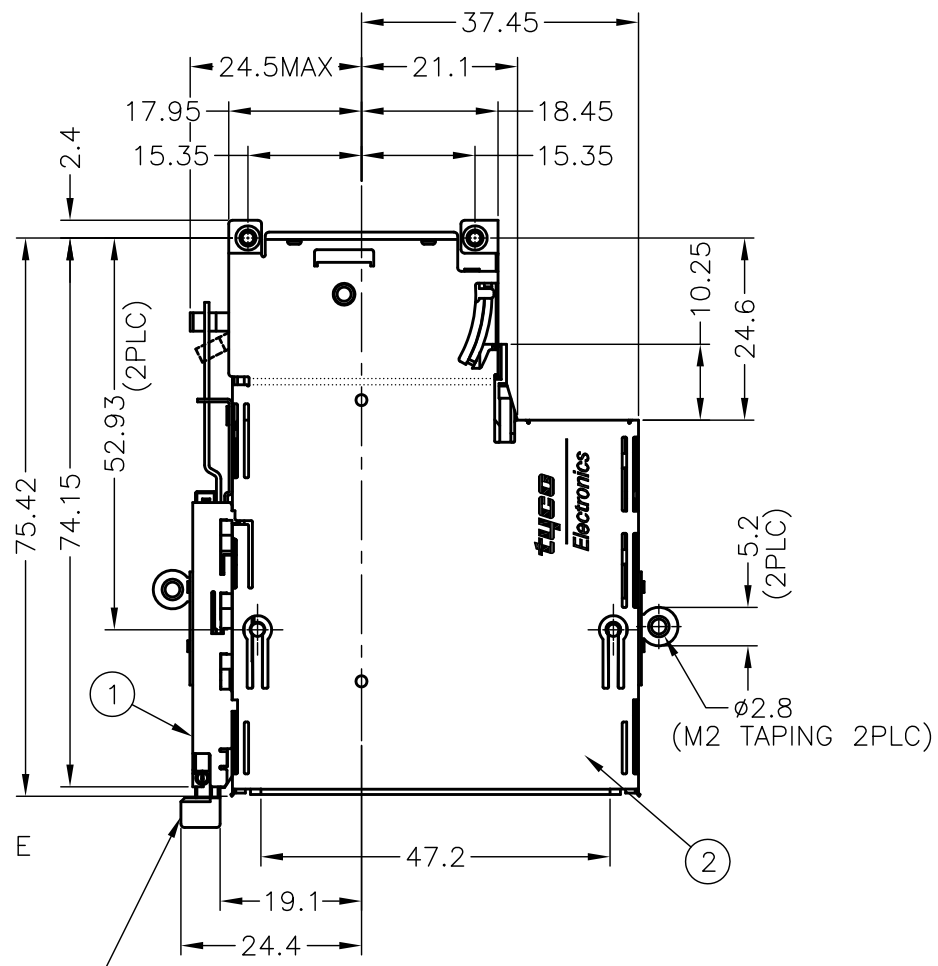
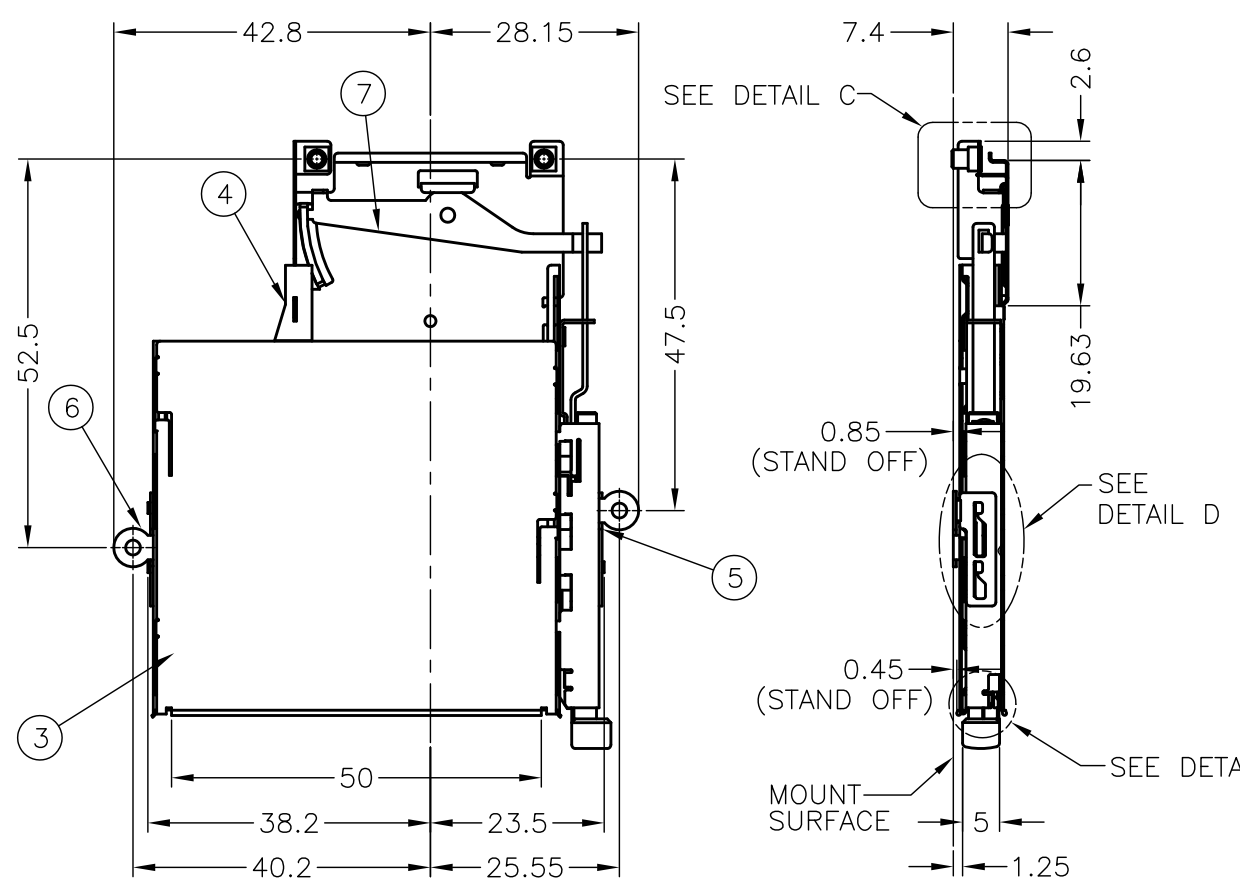
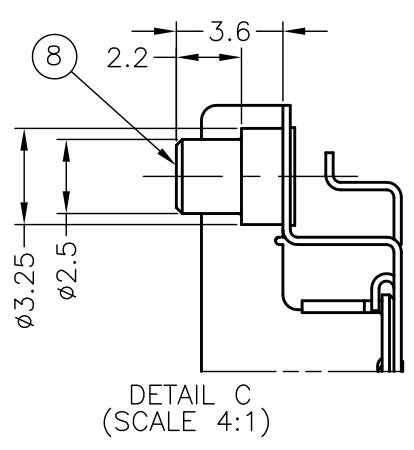
2

1

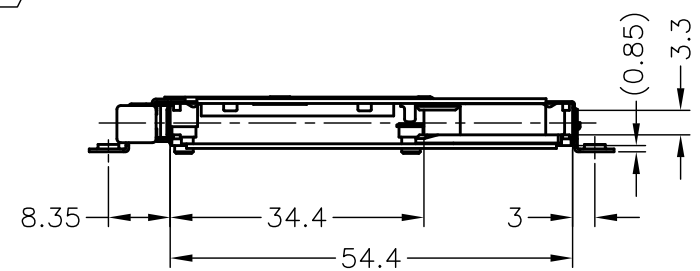
THIS DRAWING IS UNPUBLISHED. RELEASED FOR PUBLICATION
 © COPYRIGHT - By - ALL RIGHTS RESERVED.

LOC	DIST	REVISIONS			
P	LTR	DESCRIPTION	DATE	DWN	APVD
DW	/	D1	REVISED (ECR-13-008834)	11SEP2013	B.W H.K

-3 : AS SHOWN



BUTTON COLOR:
 GRAY(1759880-1)
 BLACK(1759880-3)



THIS DRAWING IS A CONTROLLED DOCUMENT.		DWN	S.WATANABE	15AUG07	 TE Connectivity	NAME EXPRESS CARD CONNECTOR SHIELD FRAME ASSEMBLY, TOP MOUNT							
DIMENSIONS: mm		CHK	J.CHIANG	15AUG07									
TOLERANCES UNLESS OTHERWISE SPECIFIED:		APVD	H. KODAMA	15AUG07									
0 PLC ± 0.3 1 PLC ± 0.25 2 PLC ± 0.25 3 PLC ± - 4 PLC ± - ANGLES ± 1°		PRODUCT SPEC											
MATERIAL		APPLICATION SPEC		WEIGHT	18GRAM	SIZE	A3	CAGE CODE	00779	DRAWING NO	C-1759880	RESTRICTED TO	
FINISH		CUSTOMER DRAWING		SCALE	1:1	SHEET	1	OF 4	REV	D1			

4

3

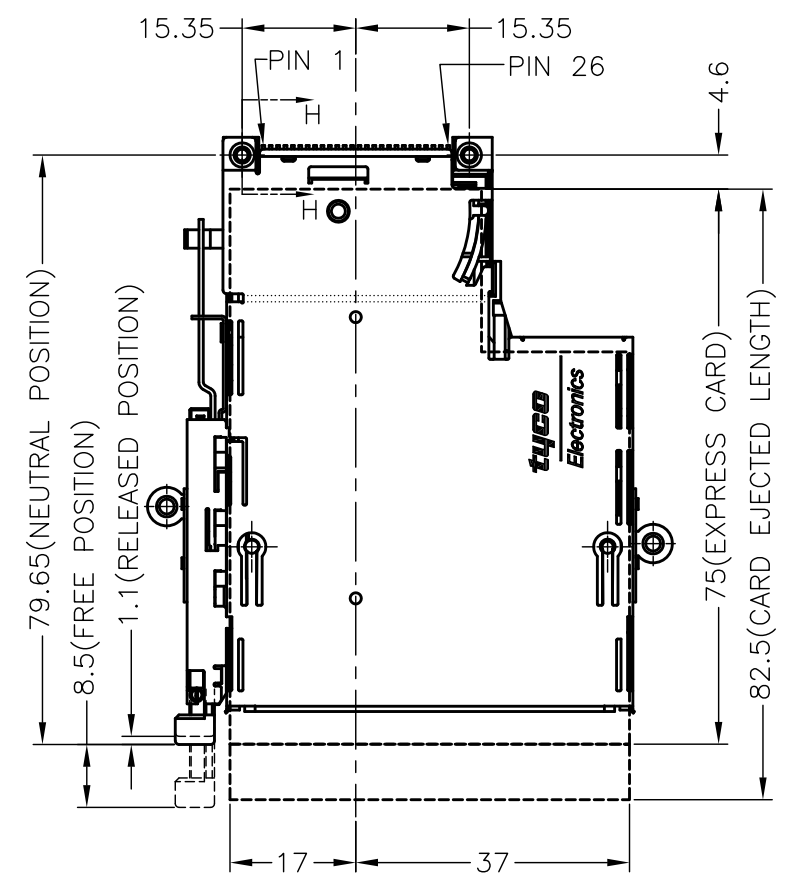
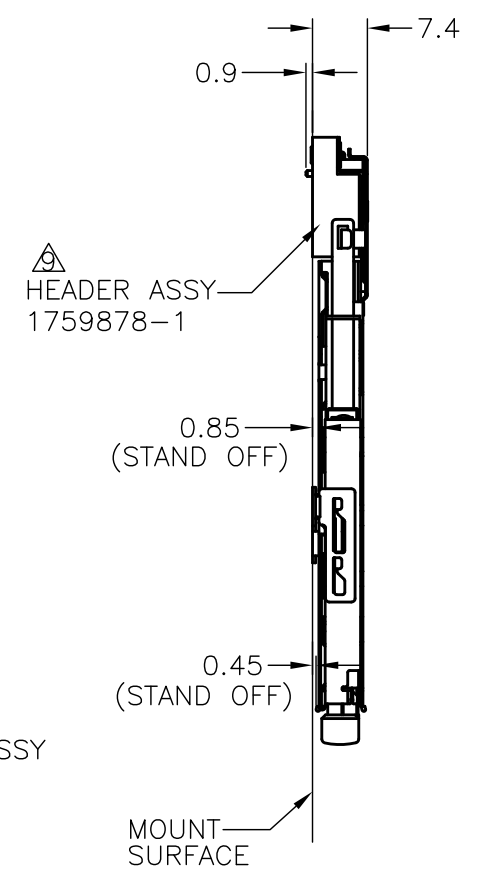
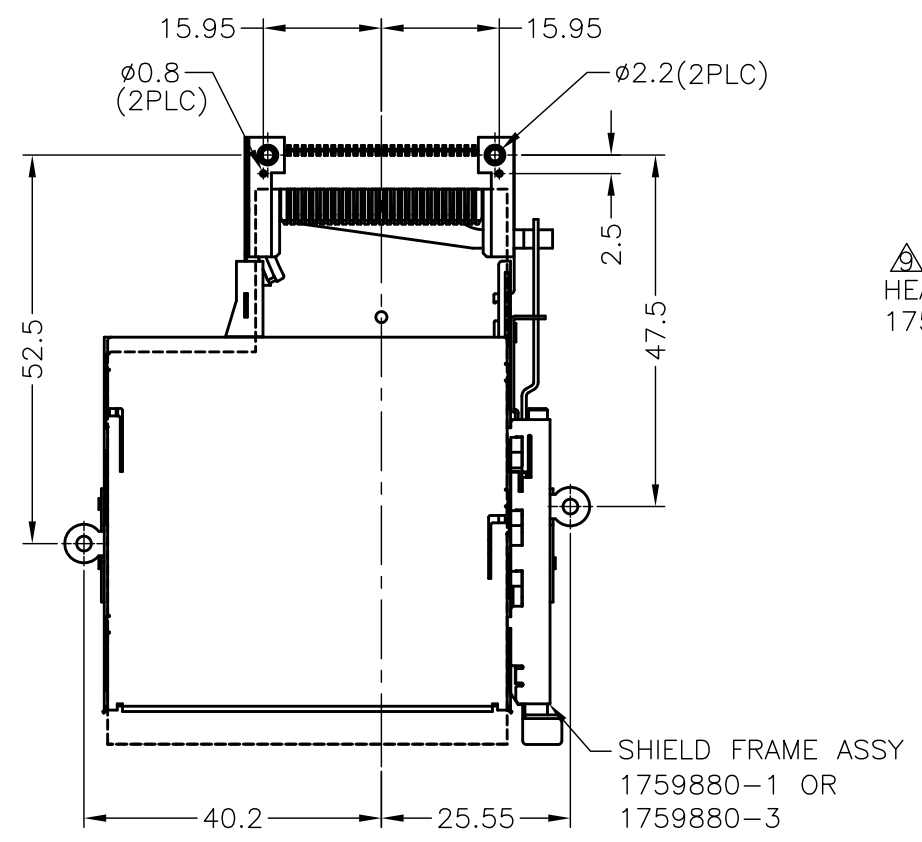
2

1

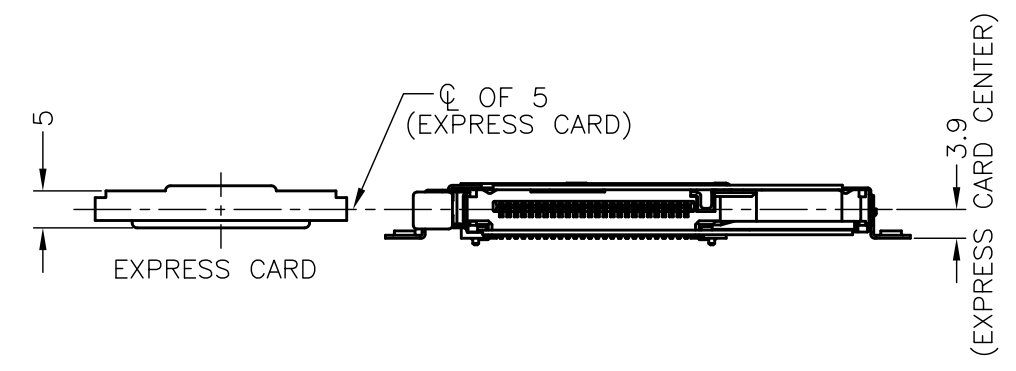
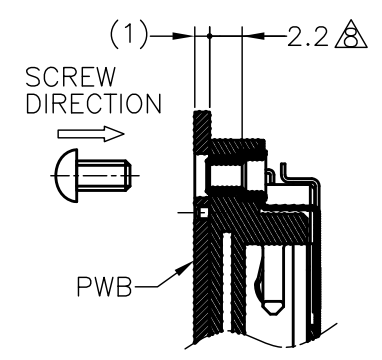
THIS DRAWING IS UNPUBLISHED. RELEASED FOR PUBLICATION
 © COPYRIGHT - By - ALL RIGHTS RESERVED.

LOC	DIST	REVISIONS			
P	LTR	DESCRIPTION	DATE	DWN	APVD
-	-	SEE SHEET 1	-	-	-

-3 : AS SHOWN



REFERENCE FIGURE WHICH ATTACHED HEADER ASSEMBLY

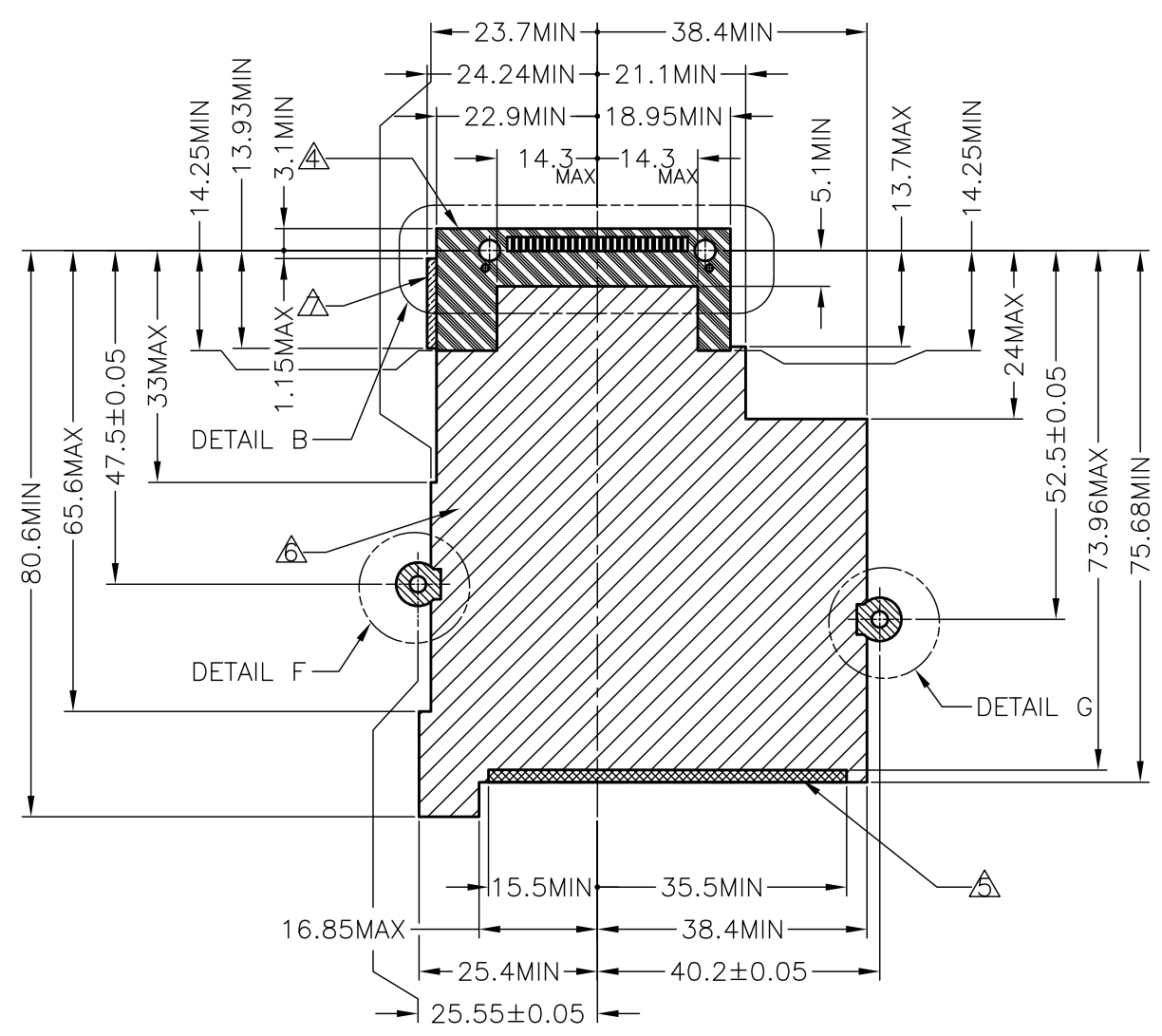


THIS DRAWING IS A CONTROLLED DOCUMENT.		DWN		TE Connectivity	
DIMENSIONS: mm		CHK			
TOLERANCES UNLESS OTHERWISE SPECIFIED:		APVD		NAME	
0 PLC ± 0.3 1 PLC ± 0.25 2 PLC ± 0.25 3 PLC ± - 4 PLC ± - ANGLES ± 1°		PRODUCT SPEC		EXPRESS CARD CONNECTOR SHIELD FRAME ASSEMBLY, TOP MOUNT	
MATERIAL		FINISH		SIZE	
				CAGE CODE	
				DRAWING NO	
				RESTRICTED TO	
				A3 00779	
				1759880	
		CUSTOMER DRAWING		SCALE 1:1	
				SHEET 2 OF 4	
				REV D1	

THIS DRAWING IS UNPUBLISHED. RELEASED FOR PUBLICATION
 © COPYRIGHT - By - ALL RIGHTS RESERVED.

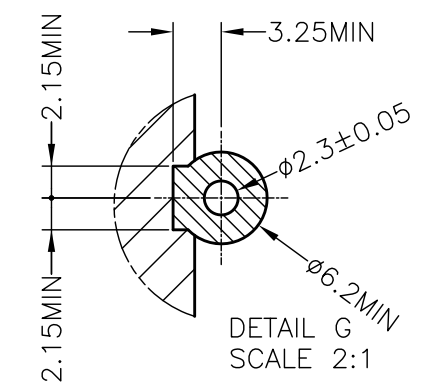
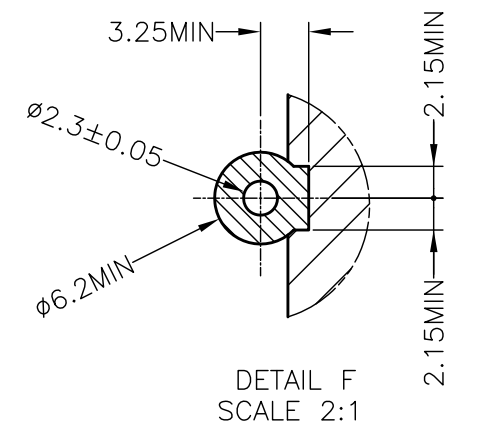
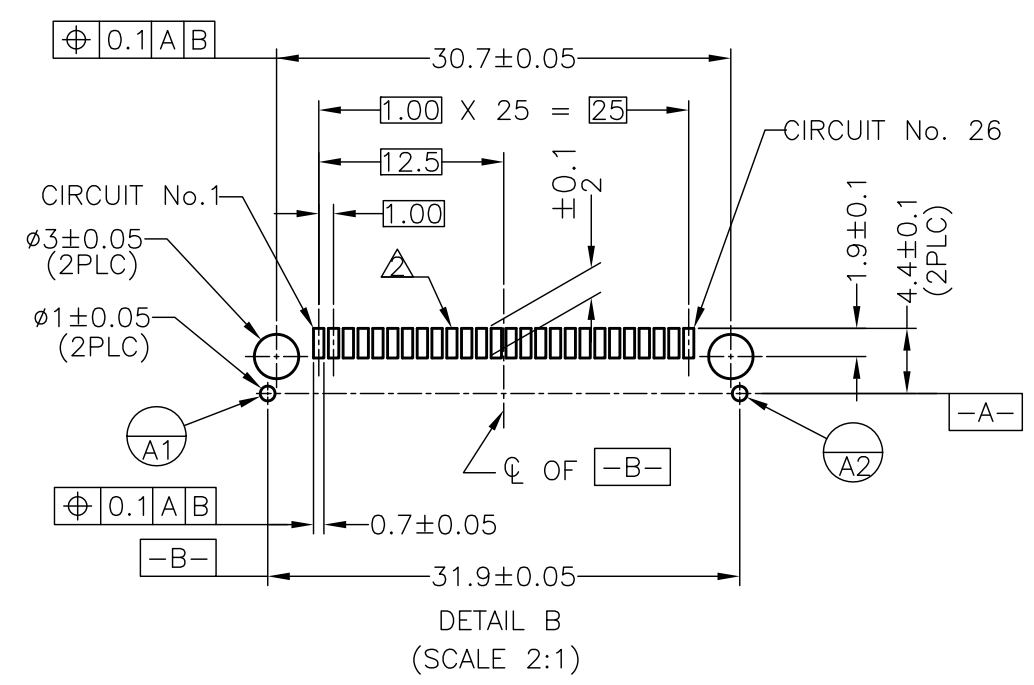
LOC	DIST	REVISIONS					
DW		P	LTR	DESCRIPTION	DATE	DWN	APVD
		-		SEE SHEET 1	-	-	-

-3 : AS SHOWN



RECOMMEND PWB LAYOUT

- NOTES:
- RECOMMENDED TIGHTENING TORQUE 0.15~0.2Nm
 - SOLDERING PAD
 - GROUNDING PAD
 - NO COMPONENT AND NO SIGNAL LINE AREA
 - STAND OFF 0.45mm
 - STAND OFF 0.85mm
 - STAND OFF 3.25mm
 - M2 SCREW LENGTH
 - HEADER ASS'Y, 1759878-1, PURCHASED SEPARATELY



OBSOLETE

ITEM	NAME	MATERIAL	FINISH	1759880-3	1759880-2	1759880-1	Q'TY
⑧	BUSH (M2X0.4 TAP)	STAINLESS STEEL					2
⑦	ARM BAR	STAINLESS STEEL					1
⑥	BRACKET (R) (M2X0.4 TAP)	STAINLESS STEEL					1
⑤	BRACKET (L) (M2X0.4 TAP)	STAINLESS STEEL					1
④	GUIDE RAIL HSG	THERMOPLASTIC (UL94 V-0)	BLACK	BLACK	BLACK		1
③	LOWER SHELL	STAINLESS STEEL					1
②	UPPER SHELL	STAINLESS STEEL					1
①	PUSH PUSH ASSY	STAINLESS STEEL					1
		THERMOPLASTIC (UL94 V-0)	BLACK	GRAY	GRAY		
			COLOR				

THIS DRAWING IS A CONTROLLED DOCUMENT.

DIMENSIONS: mm

TOLERANCES UNLESS OTHERWISE SPECIFIED:

0 PLC	± 0.3
1 PLC	± 0.25
2 PLC	± 0.25
3 PLC	± -
4 PLC	± -
ANGLES	± 1°

MATERIAL FINISH

STE TE Connectivity

NAME: EXPRESS CARD CONNECTOR SHIELD FRAME ASSEMBLY, TOP MOUNT

SIZE: A3 CAGE CODE: 00779 DRAWING NO: 1759880 RESTRICTED TO: -

CUSTOMER DRAWING SCALE: 1:1 SHEET: 3 OF 4 REV: D1

4

3

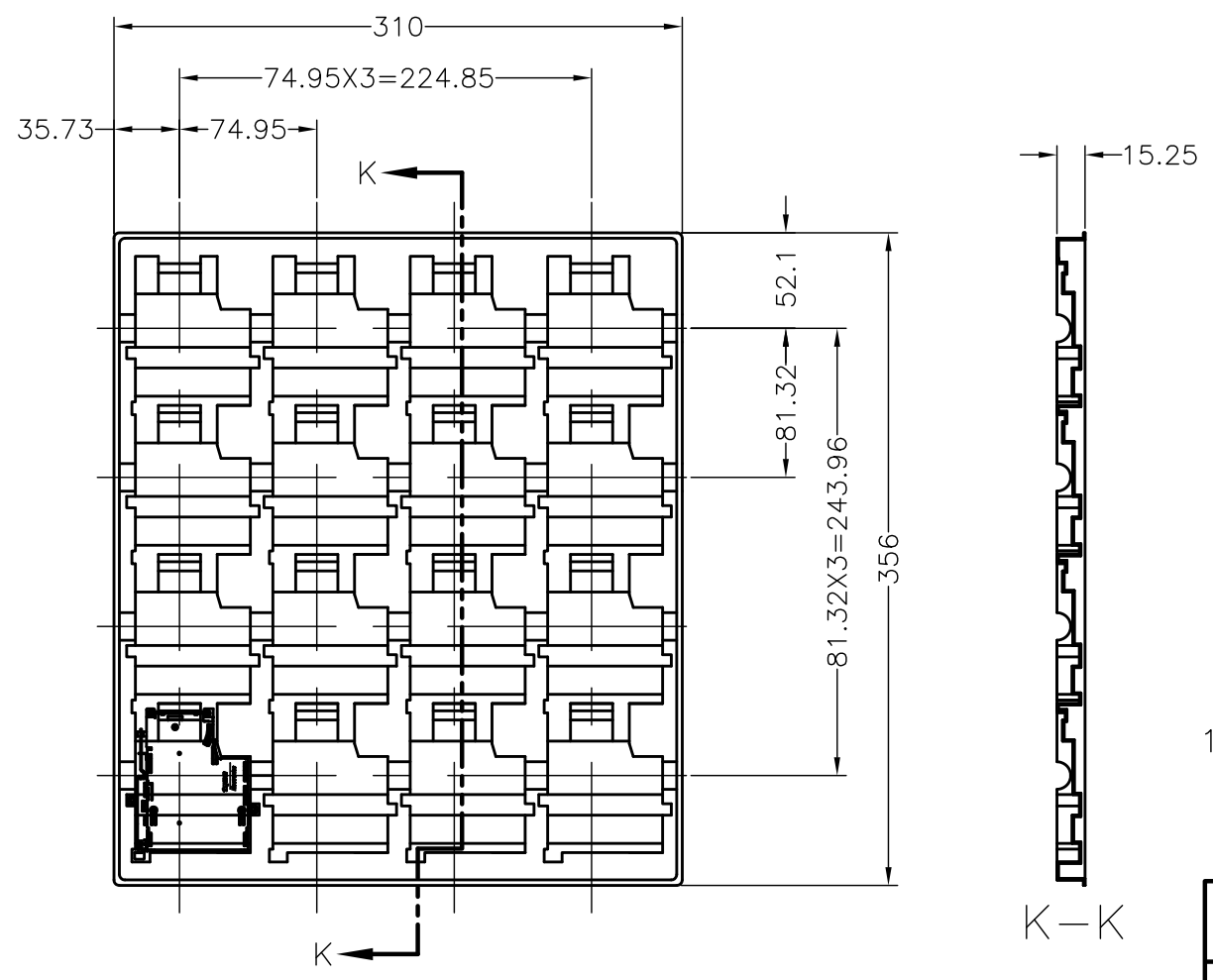
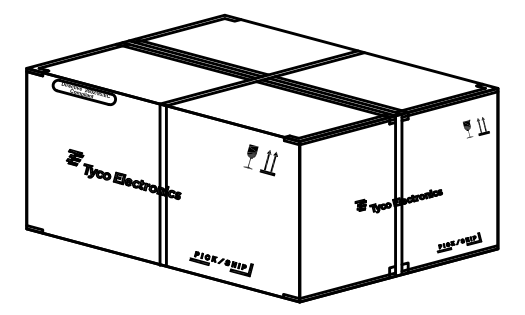
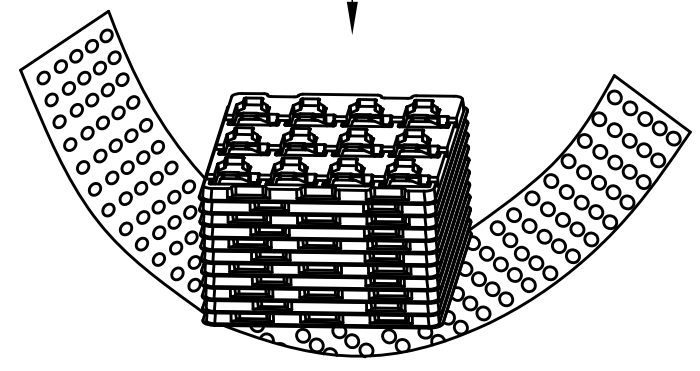
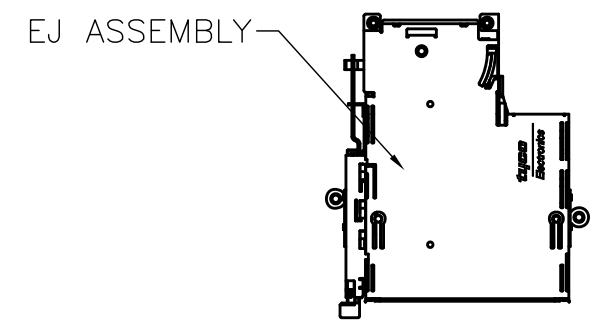
2

1

THIS DRAWING IS UNPUBLISHED. RELEASED FOR PUBLICATION
 © COPYRIGHT - By - ALL RIGHTS RESERVED.

LOC	DIST	REVISIONS				
P	LTR	DESCRIPTION	DATE	DWN	APVD	
DW	/	SEE SHEET 1	-	-	-	

-3 : AS SHOWN



10. PACKING MATERIAL :
 TRAY : PS
 SHIPPING CARTON : CORRUGATED FIBERBOARD

16	10	160
PCS/TRAY	TRAY/CARTON	TOTAL QTY

THIS DRAWING IS A CONTROLLED DOCUMENT.		DWN			
DIMENSIONS: mm		CHK			
TOLERANCES UNLESS OTHERWISE SPECIFIED:		APVD			
0 PLC ± 2 1 PLC ± 1 2 PLC ± 1 3 PLC ± - 4 PLC ± - ANGLES ± 3°		PRODUCT SPEC			
MATERIAL		WEIGHT		NAME	
FINISH		CUSTOMER DRAWING		EXPRESS CARD CONNECTOR SHIELD FRAME ASSEMBLY, TOP MOUNT	
		SCALE 1:1		SIZE A3	
		SHEET 4 OF 4		CAGE CODE 00779	
		REV D1		DRAWING NO. 1759880	