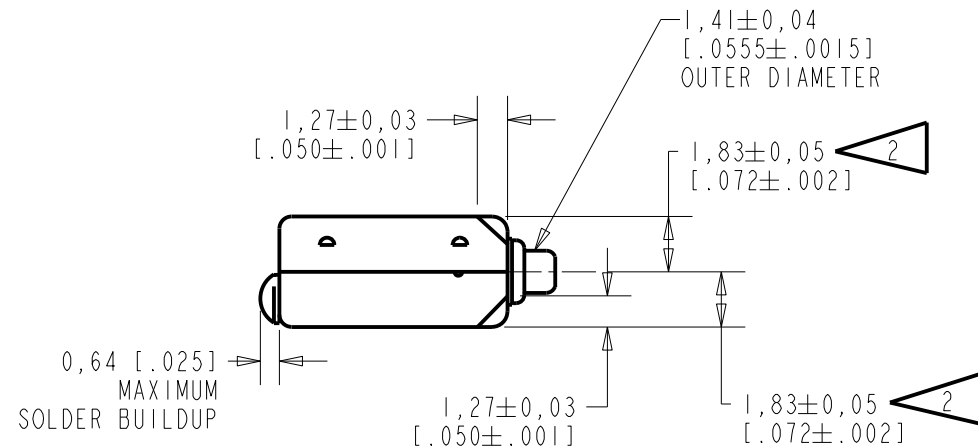
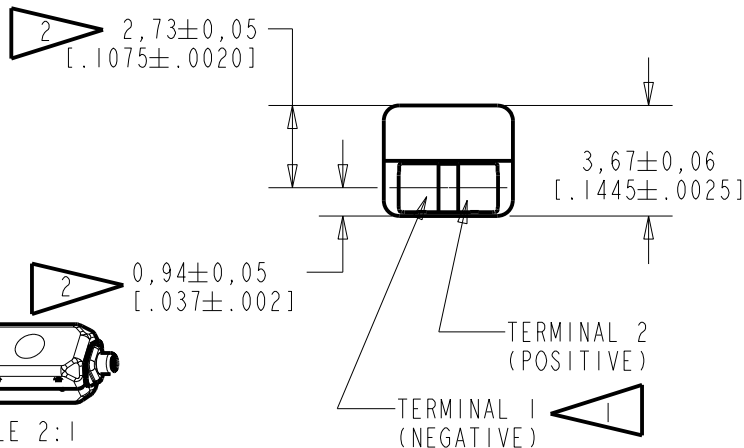
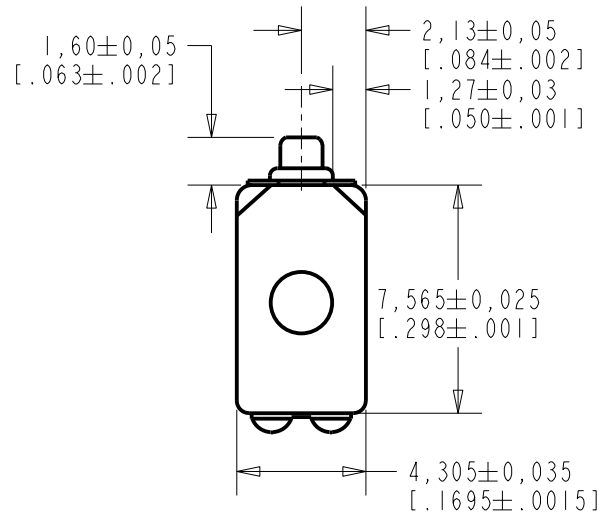


EC-26368-000

SHT 1.1

NOTE:

- 1 A POSITIVE GOING VOLTAGE AT TERMINAL 2, RELATIVE TO TERMINAL 1, CAUSES A DECREASE IN PRESSURE AT THE SOUND OUTLET.
- 2 LOCATED FROM TWO SURFACES FOR CUSTOMER CONVENIENCE. ONLY APPLICABLE FROM ONE SURFACE, NOT TO BE USED TOGETHER.



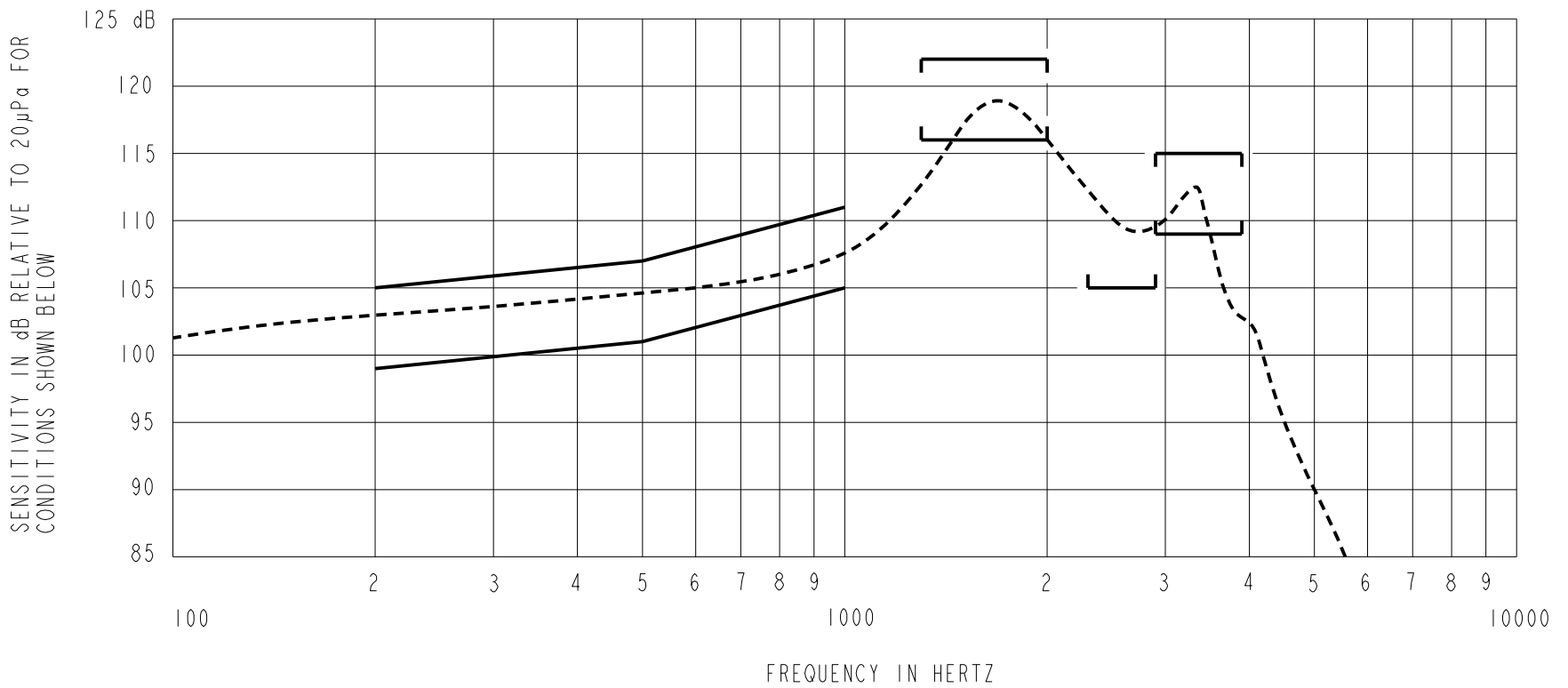
SCALE 2:1  
NOMINAL WEIGHT  
.42 GRAMS

DIMENSIONS IN MILLIMETERS [INCHES]

**KNOWLES ELECTRONICS**  
ITASCA, ILLINOIS U.S.A.

Revision	C.O. #	Implementation Date	RELEASE LEVEL	REVISION
C	CI0115009	8-1-13	Active	C
B	CI0106330	9-3-07		
A	CI0103430	11-18-05		

SCALE: 4:1		DR. BY	DATE
DO NOT SCALE DRAWING		CRG	11-18-05
TITLE: RECEIVER		CK. BY	DATE
OUTLINE DRAWING		GJP	11-22-05
EC-26368-000		APP. BY	DATE
SHT 1.1		GJP	11-22-05



NOTES:

1. MEASUREMENTS MADE USING 10mm (.394") OF 1mm (.039") ID TUBE CONNECTED TO A SIMULATED ANSI S3.7 TYPE HA-3 COUPLER . (IEC 60318-5).

2. SENSITIVITY

FREQUENCY	MIN.	MAX.
200	99.0	105.0
500	101.0	107.0
1000	105.0	111.0
1300-2000	116.0	122.0
2300-2900	105.0	---
2900-3900	109.0	115.0

3. RESPONSE, IMPEDANCE, AND DISTORTION MEASUREMENTS MADE USING THE ELECTRICAL TEST CONDITIONS SHOWN BELOW.  
 4. ELECTRICAL SOURCE IMPEDANCE MUST BE GREATER THAN 20 TIMES 1KHz IMPEDANCE FOR TEST CONDITIONS SHOWN BELOW.  
 5. INDIVIDUAL SPECIFICATIONS:

PORT LOCATION	IMPEDANCE OHMS ±15%		DCR @20°C OHMS ±10%	DISTORTION		ELECTRICAL TEST CONDITIONS	
	1KHz	500Hz		MAX. %	FREQ Hz	AC mA RMS	DC mA
12S	100	54	26.3	10	800	2.19	0

Revision	C.O. #	Implementation Date	RELEASE LEVEL	REVISION
C	C10115009	8-1-13	Active	C
B	C10106330	9-3-07		
A	C10103430	11-18-05		

**KNOWLES ELECTRONICS**  
 ITASCA, ILLINOIS U.S.A.

WHEN TEST LIMITS ARE USED TO ESTABLISH INCOMING INSPECTION ACCEPTANCE/REJECTION CRITERIA, CORRELATION OF TEST EQUIPMENT WITH KNOWLES IS ALSO REQUIRED FOR ELIMINATION OF EQUIPMENT AND TEST METHOD VARIATION

TITLE: **RECEIVER** **EC-26368-000**  
 PERFORMANCE SPECIFICATION **SHT 2.1**

DR. BY	DATE
CRG	11-18-05
CK. BY	DATE
GJP	11-22-05
APP. BY	DATE
GJP	11-22-05