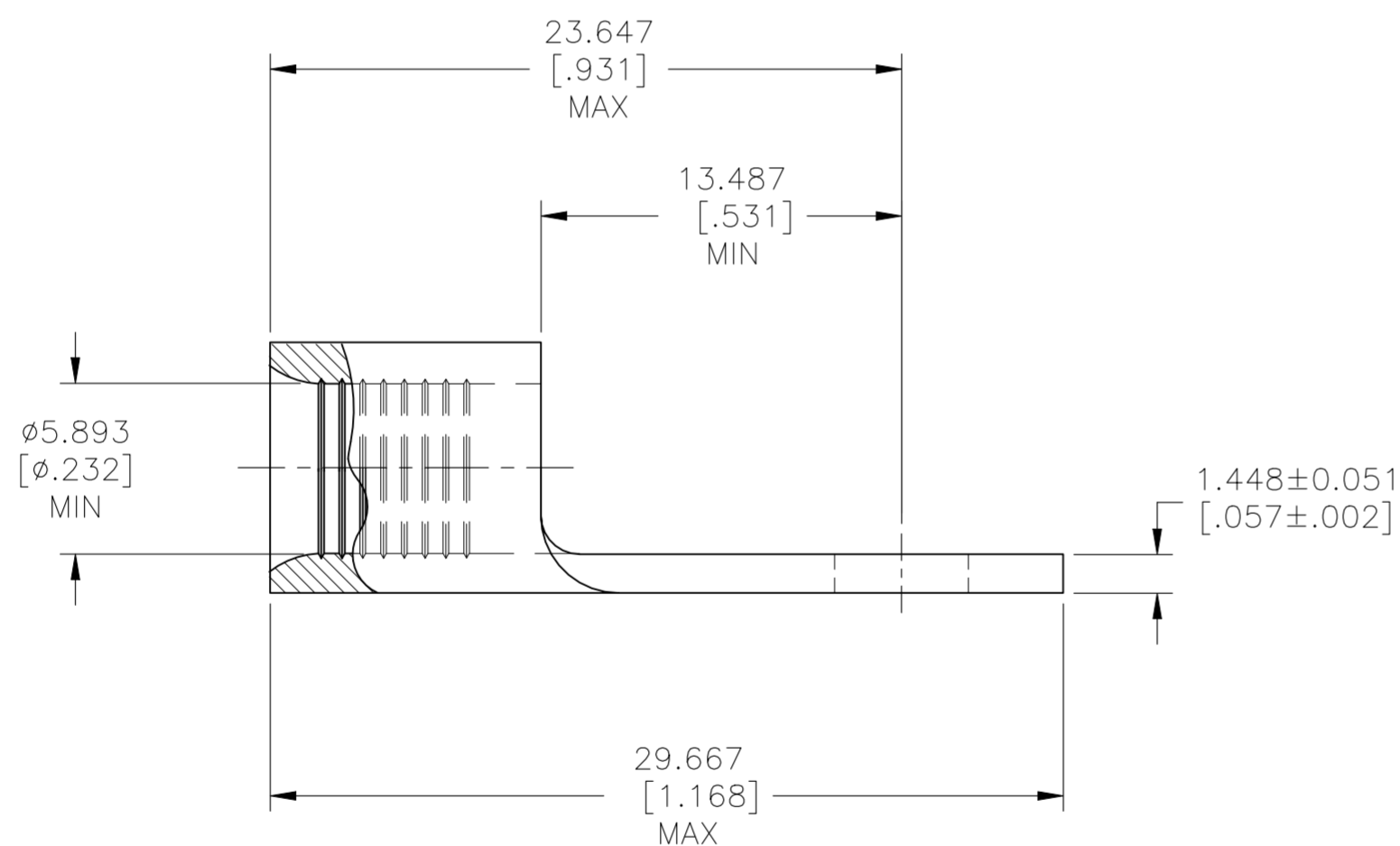
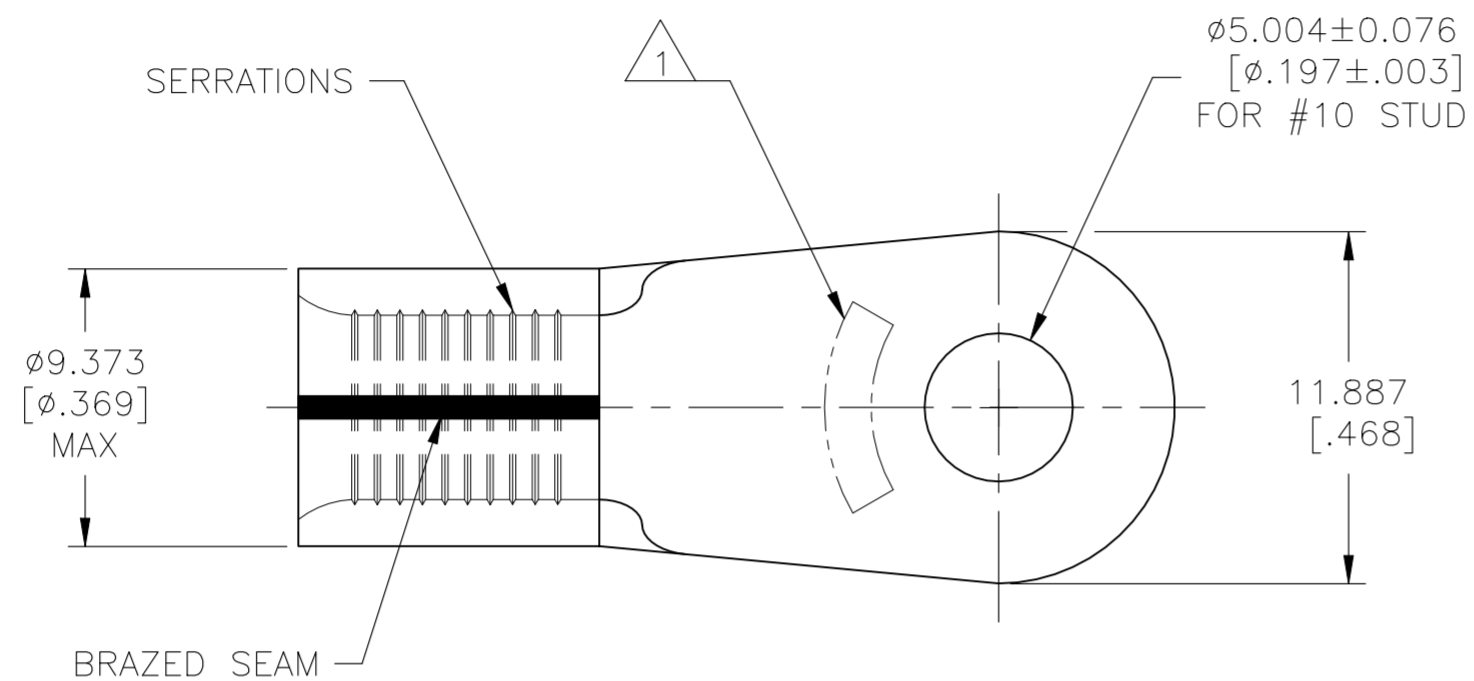


REVISIONS				
P	LTR	DESCRIPTION	DATE	APVD
	S3	REVISED PER ECN-22-150900	27APR2022	RK CSD



AMP WIRE RANGE	E13288 Listed
6 AWG SOLID OR STRANDED	6 AWG STRANDED

LR7189 Certified
6 AWG SOLID OR STRANDED

- ① STAMP AMP 6* APPROX AS SHOWN
- ② UL 486 A-B

AMP INCORPORATED CUSTOMER SERVICE SYSTEMS

MAX RECOMMENDED OPERATING TEMPERATURE:
170°C [338°F] MAX

FOR ADDITIONAL PRODUCT INFORMATION OR COPIES OF DRAWINGS AND TECHNICAL DOCUMENTS

PRODUCT INFORMATION CENTER
1-800-522-6752

VOLTAGE RATING:
NOT APPLICABLE

FOR APPLICATION TOOLING INFORMATION

TOOLING ASSISTANCE CENTER
1-800-722-1111

WIRE CROSS SECTIONAL AREA RANGE:
10.5-16.8mm² [20,800-33,100] CIR MILS
SOLID OR STRANDED

FOR ORDER ENTRY

1-800-526-5142

THIS DRAWING IS A CONTROLLED DOCUMENT FOR AMP INCORPORATED. IT IS SUBJECT TO CHANGE AND THE CONTROLLING ENGINEERING ORGANIZATION SHOULD BE CONTACTED FOR THE LATEST REVISION.

750	ON TAPE REEL 321298	TIN PLATE 0.00254 [.000100] MIN THK PER ASTM B545	2-321298-6
100	LOOSE PIECE	TIN PLATE 0.00254 [.000100] MIN THK PER ASTM B545	321298
QUANTITY	PACKAGE TYPE	FINISH	PART NO

THIS DRAWING IS A CONTROLLED DOCUMENT.		DWN TA BRINKMAN 3-24-93	TE Connectivity	
DIMENSIONS: mm [INCHES]		CHK DA PATTERSON 3-24-93		
TOLERANCES UNLESS OTHERWISE SPECIFIED:		APVD DE MILLER 3-24-93	NAME TERMINAL, RING TONGUE, SOLISTRAND 6 AWG	
0 PLC ± -		PRODUCT SPEC	SIZE A2	
1 PLC ± -		APPLICATION SPEC	CAGE CODE 00779	
2 PLC ± -		WEIGHT	DRAWING NO C-321298	
3 PLC ± 0.127 [.005]		RESTRICTED TO	SCALE 4:1	
4 PLC ± -		—	SHEET 1 of 1	
ANGLES ± -		CUSTOMER DRAWING	REV S3	
MATERIAL COPPER PER ASTM B-152 ANNEALED	FINISH SEE TABLE			

321298

B

A