

40 Amp Power Relay with AC Coils & Low Case Profile QC Terminals PTRA-T



T2 & T3



T4 & T5

FEATURES

- Power PCB Relay with AC Coils
- 40 Amp 240 VAC Resistive UL Rating
- 2 HP 250 VAC Rating
- Two Version:
 - ◆ T2 (1A), T3 (1C) PC Pins & QC Pins
 - ◆ T4 (1A), T5 (1C) QC Pins with Mounting Tabs
- UL Class F Insulation Standard
- IP67 Epoxy Sealed Version Available
- Meets UL 508 and UL 873 Spacing
- RoHS Compliant

UL / CUL Ratings



Load Type	Voltage	Cycles	1 Form A (SPST-NO)	1 Form B (SPDT-NC)	1 Form C (SPDT)	
					NO	NC
General Purpose	240 VAC	6,000	30 A	20 A	30 A	20 A
	277 VAC	6,000	30 A	20 A	30 A	20 A
	280 VAC	6,000	5 A	5 A	5 A	5 A
Resistive	240 VAC	250,000	40 A	30 A	40 A	30 A
	240 VAC		20 A	—	20 A	—
	277 VAC	100,000	25 A	—	25 A	—
	30 VDC		40 A	30 A	40 A	30 A
Motor	250 VAC	30,000	2 HP	1.5 HP	2 HP	1.5 HP
	120 VAC	30,000	1 HP	—	1 HP	—
Ballast	280 VAC	6,000	5 A	5 A	5 A	5A

CONTACT DATA

Material	AgCdO, AgSnO ₂ In ₂ O ₃	
Initial Contact Resistance	30 mΩ Max. @ 1 A, 6 VDC	
Maximum Switching Voltage	110 VDC, 300 VAC	
Maximum Switching Current	40 A	
Maximum Switching Power	1,200 W, 10,000 VA	
Service Life	Mechanical	1 x 10 ⁷ Operations
	Electrical	1 x 10 ⁵ Operations

Meets UL 508 and UL 873 Spacing - 3.18 mm Through Air, 6.36 mm Over Surface.

Additional UL / CUL Ratings for AgSnO Contacts

Load Type	Voltage	Cycles	Temp.	1 Form A	1 Form C (SPDT)	
					NO	NC
Resistive	277/240 VAC	30,000	40°C	30 A	30 A	30 A

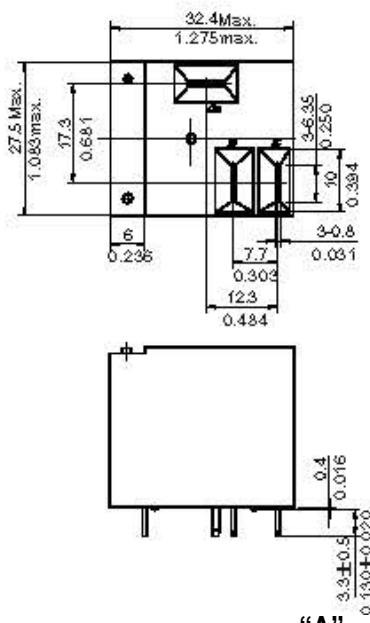
ORDERING INFORMATION

Example:	PTRA	-1C	-12	S		-T5	-X	67
Model:	PTRA (PTRA-T)							
Contact Form:	1A, 1B, 1C							
Coil Voltage:	12, 24, 110, 120, 220, 240, 277							
Enclosure:	T2 & T3: C : Dust Cover; S : Sealed; T4 & T5: S : Covered, Not Washable							
Insulation Material:	Nil : Class F							
Contact Material:	Nil : AgCdO; T : AgSnO ₂ In ₂ O ₃							
Mounting Type:	T2 : 1 Form A PCB & QC; T3 : 1 Form C PCB & QC; T4 : 1 Form A Panel all QC; T5 : 1 Form C Panel all QC							
RoHS Compliant:	-X							
IP67 Epoxy Sealed:	E (Water Proof)							

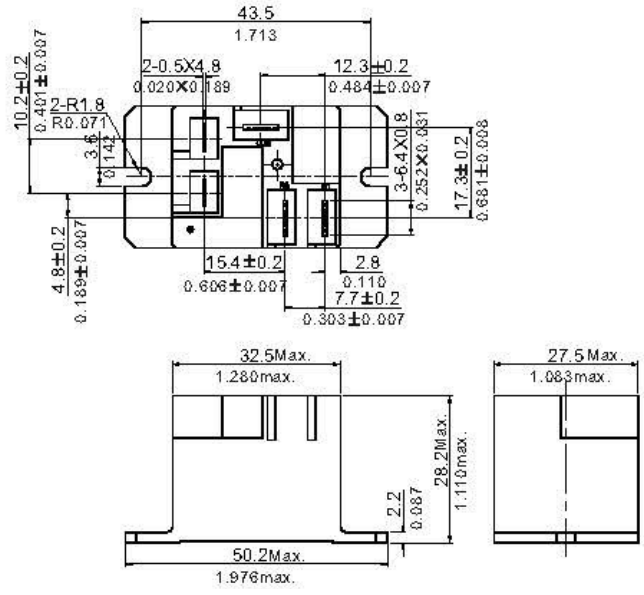
T2 & T3 Box Quantity: 600; Inner Box 300, T4 & T5 Box Quantity: 400; Inner Box:100

ALTERNATE MOUNTING TYPE (mm/inches)

Knock off, on top corner, nib for ventilation after soldering and water wash.

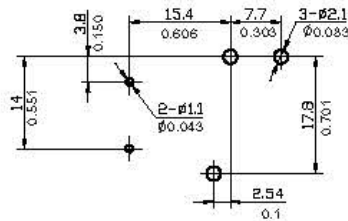


“A”
T2 & T3



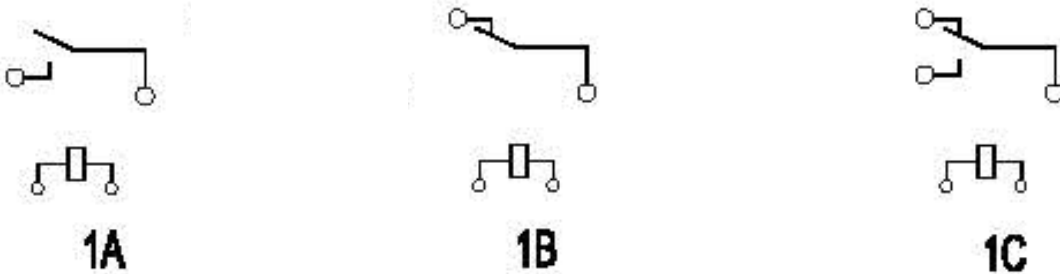
“A”
T4 & T5

PRINTED CIRCUIT BOARD LAYOUT



(Bottom View)

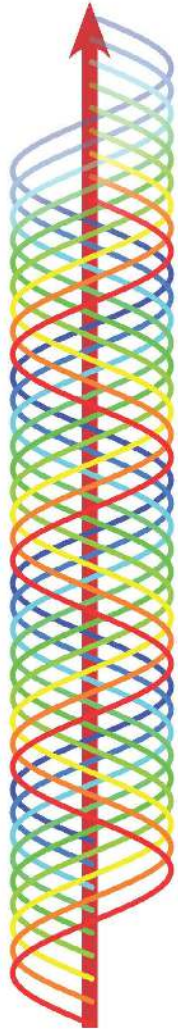
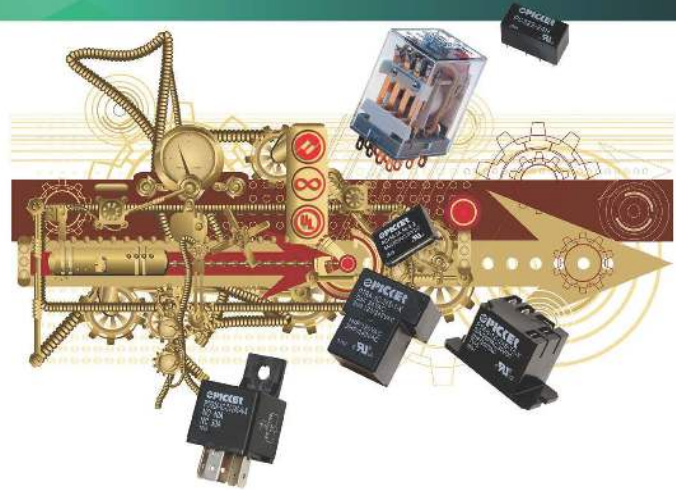
CONTACT FORMS



(Bottom View)



T90 Style Relays



50 Amp **PTR 50/35 Amp 1,500 W, 12,000 VA**

- Larger Contacts than PTRD/PTRDE
- **Braided Copper Wire Added to Dissipate Heat from Contacts to the Coil Frame and PCB Pins**
- 50 Amp 240 VAC 10,000 Cycle UL Resistive Rating
- Class F Material -40° to 125° C Standard



40+ Amp **PTRDE 40/30 Amp 1,200 W, 10,000 VA**

- **Braided Copper Wire Added to Dissipate Heat from Contacts to the Coil Frame and PCB Pins**
- 40 Amp 240 VAC 50,000 Cycle UL Resistive Rating
- Class F Material -40° to 125° C Standard

40 Amp **PTRD 40/30 Amp 1,200 W, 10,000 VA** **PTRA AC Coil Options from 12 to 277 VAC**

- Larger Contacts than PTRH
- 40 Amp 240VAC UL Resistive Rating
- 25 Amp 277 VAC 100K Cycles UL Resistive Rating
- Class F Material -40° to 125° C Standard



30 Amp **PTRH 30/20 Amp 900 W, 7,500 VA**

- 30 Amp 277 VAC UL General Purpose Rating
- 30 Amp 250 VAC 100K Cycle UL Resistive Rating
- Class B -40° to 100° C Standard, Optional Class F

Packaging Options (i.e. PTRH-T)



Dust Cover or Sealed with Scratch off Nib



-T (T2 & T3) with PC Pins and Contact QC



-T (T4 & T5) w/QC Tabs & Mounting Ears



-OT (OT2 & OT3) with PC Pins and Contact QC



-OT (OT4 & OT5) w/QC Tabs & Mounting Ears

888-997-3933 • PickerComponents.com
Sales@PickerComponents.com

