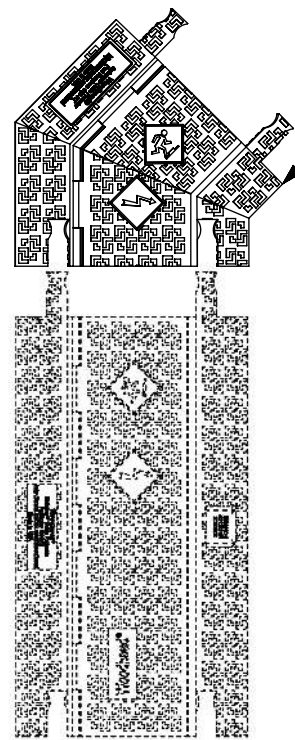
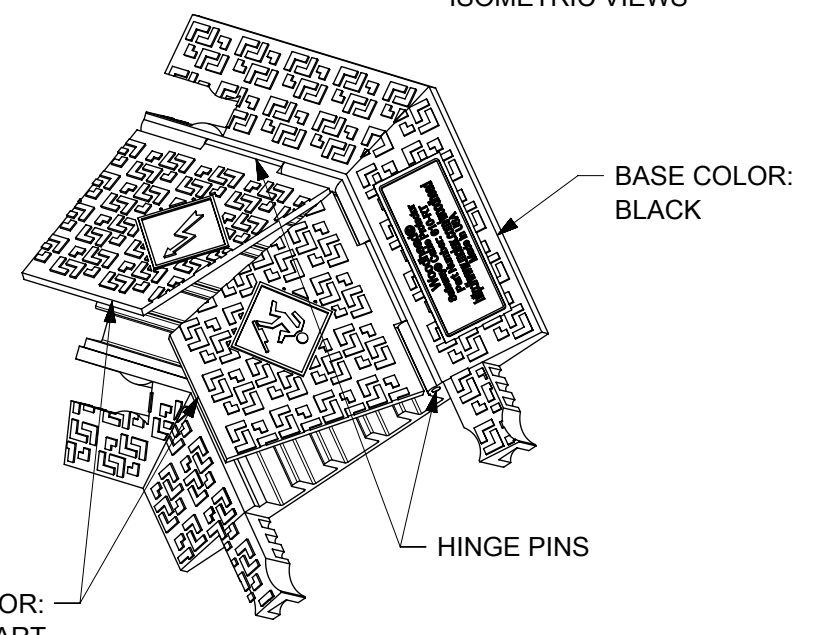
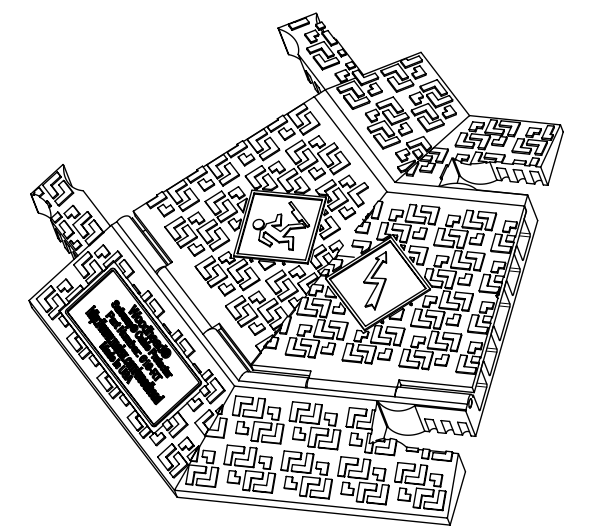
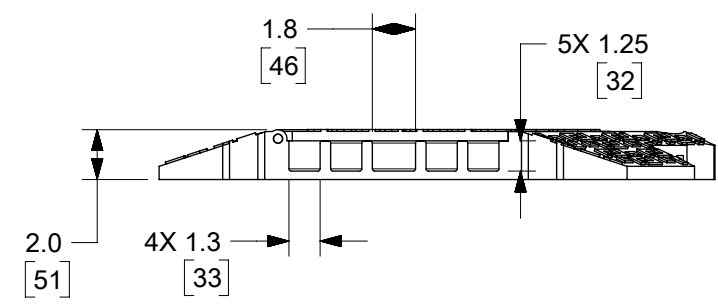
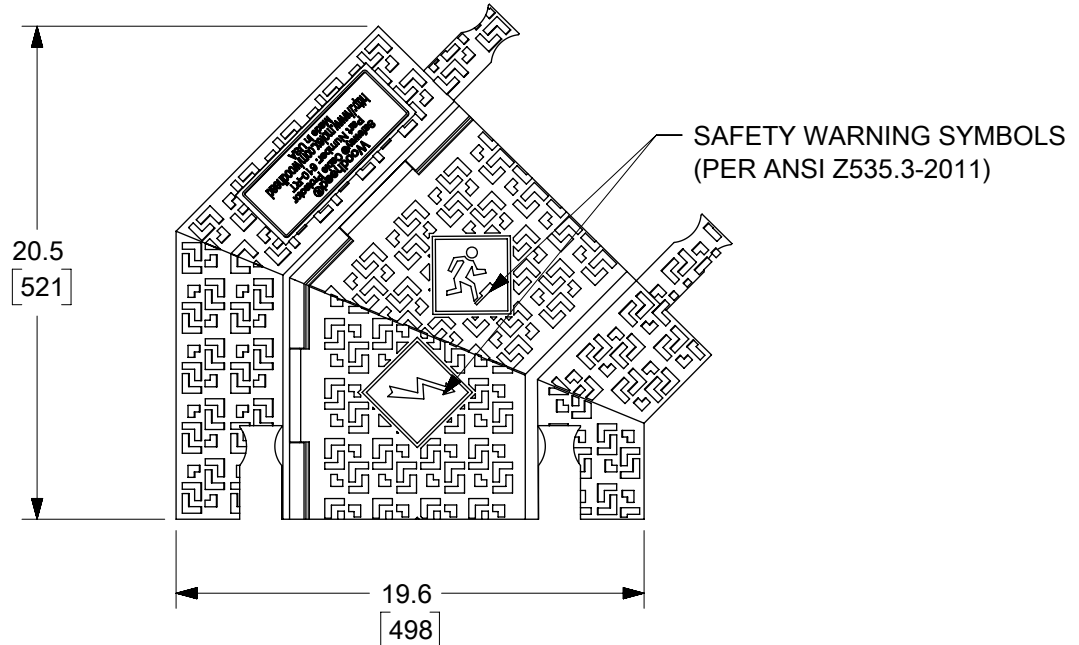


PART NUMBER	Woodhead® ENGINEERING NUMBER	LID COLOR
1301380119	610-RT	SAFETY ORANGE (PER ANSI Z535.1-2006)
1301380189	610-RT-BLK	BLACK



RightTurn:
 Each right turn piece allows a 45° change in direction of the cable run. Turn pieces connect directly to the end of the cable protectors. Multiple right turns may be used in combination to produce a 90° or greater change in direction of the cable run.



PENDING APPROVAL

- NOTES:**
- MATERIAL:**
 BASE/LID: HEAVY-DUTY, NON-CONDUCTIVE POLYURETHANE, UV STABILIZED
 HINGE PIN: REINFORCED FIBERGLASS
 - WEIGHT:** 15.5 LBS/ 7 KG ±10%
 - LOAD CAPACITY PER TIRE/AXLE:** 16,300 LBS PER TIRE/32,600 LBS PER AXLE AT 70°F
 - OPERATING TEMPERATURE:** -40°F TO 120°F (-40°C TO 48°C)
 - ENGINEERING NO.:** SEE CHART
 - ROHS COMPLIANT**

THIS DRAWING CONTAINS INFORMATION THAT IS PROPRIETARY TO MOLEX ELECTRONIC TECHNOLOGIES, LLC AND SHOULD NOT BE USED WITHOUT WRITTEN PERMISSION									
DIMENSION UNITS	SCALE	CURRENT REV DESC: UPDATE NOTE 2							
INCH	1:8	<p>5 CHANNEL 45° RIGHT TURN SAFEWAY® CABLE PROTECTOR</p> <p>PRODUCT CUSTOMER DRAWING</p>							
GENERAL TOLERANCES (UNLESS SPECIFIED)									
ANGULAR TOL	± 3.0°								
4 PLACES	± 0.25								
3 PLACES	± 0.25								
2 PLACES	± 0.25	EC NO: 174322	2018/03/26		2018/04/02		DOCUMENT NUMBER		REVISION
1 PLACE	± 0.25	DRWN: WLEUNG	2016/04/18		2016/04/28		1301380119		D
0 PLACES	± 0.25	CHK'D: DNGUYEN62					PSD 000		
DRAFT WHERE APPLICABLE MUST REMAIN WITHIN DIMENSIONS		THIRD ANGLE PROJECTION	DRAWING	SERIES	MATERIAL NUMBER	CUSTOMER	SHEET NUMBER		
			B-SIZE	130138	SEE CHART		1 OF 1		

DOCUMENT STATUS	RQ	RELEASE DATE
-----------------	----	--------------