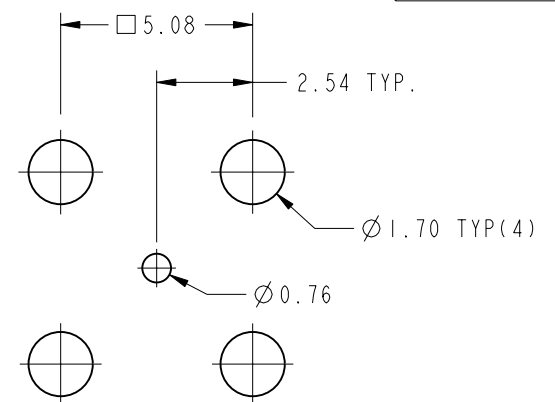


NOTES:

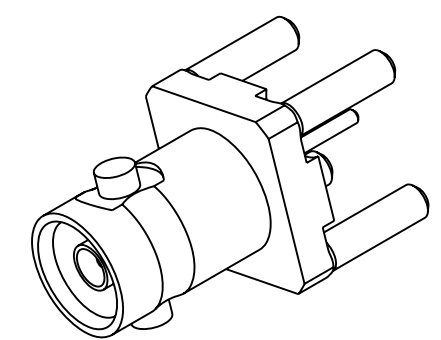
1. MATERIALS AND FINISHES:
 BODY - BRASS, GOLD PLATING.
 CONTACT - BeCu, GOLD PLATING.
 INSULATOR - PTFE
2. ELECTRICAL:
 A. IMPEDANCE: 75 OHM
 B. FREQUENCY RANGE: DC -4.5 GHz
 C. DIELECTRIC WITHSTANDING VOLTAGE: 1000 VRMS, MIN.
 D. INSULATION RESISTANCE: 10,000 MEGOHMS MIN
 E. VOLTAGE RATING: 335 VRMS
3. MECHANICAL:
 A. DURABILITY: 500 CYCLES MIN.
4. ENVIRONMENTAL:
 A. THERMAL SHOCK PER MIL-STD-202 METHOD 107
 TEST CONDITION B (EXCEPT HIGH TEMP @200°C)
 B. VIBRATION: MIL-STD-202 METHOD 204 TEST CONDITION B
 C. SHOCK: MIL-STD-202 METHOD 213 TEST CONDITION B
 D. CORROSION: MIL-STD-202 METHOD 101
 TEST CONDITION B 5% SALT SOLUTION
5. PACKAGING:
 A. QUANTITY: SINGLE PACK
 B. MARKING: BAG TO BE MARKED:
 "AMPHENOLRF, 34-1024 DATE CODE"

THIRD ANGLE PROJ.

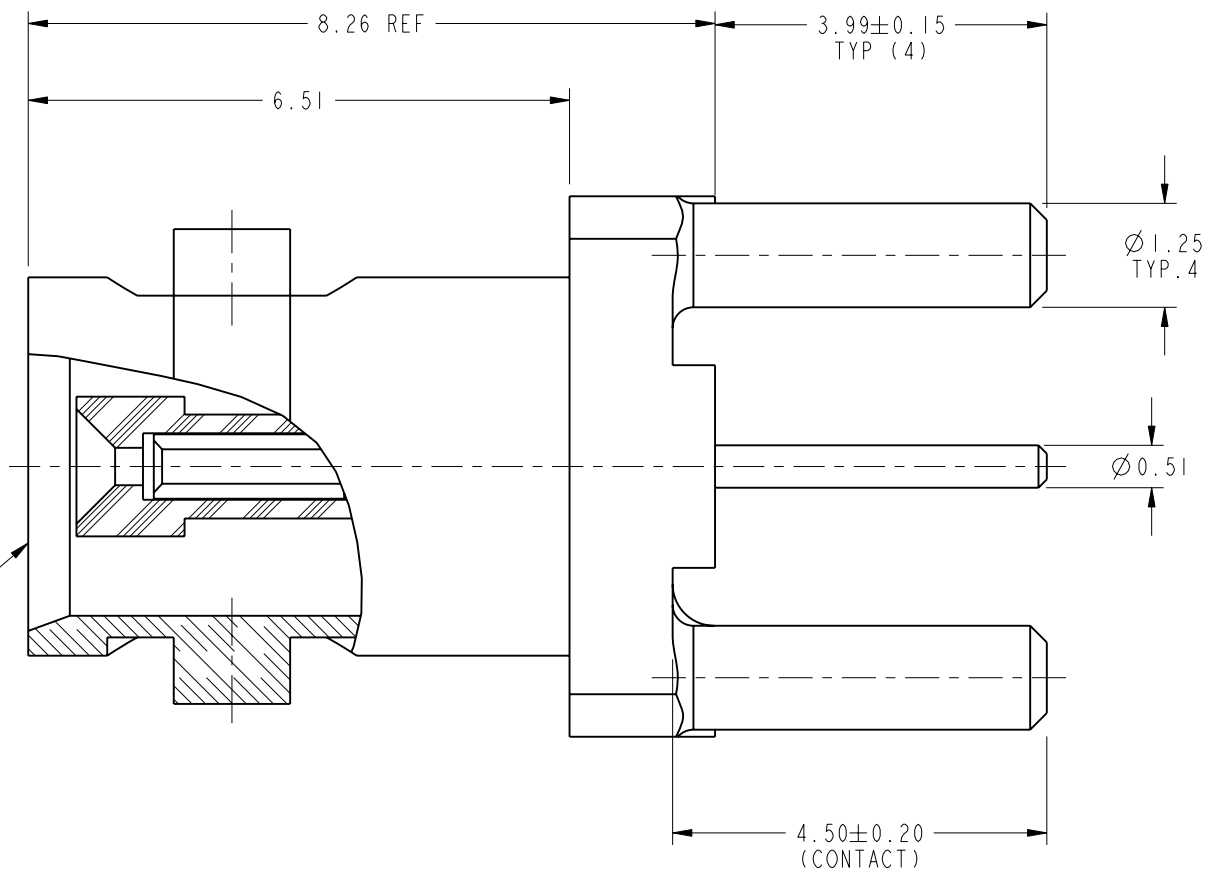
REV		DESCRIPTION	DATE	ECO	APPR
A		RELEASE TO MFG.	14-Oct-10	48165	PNE



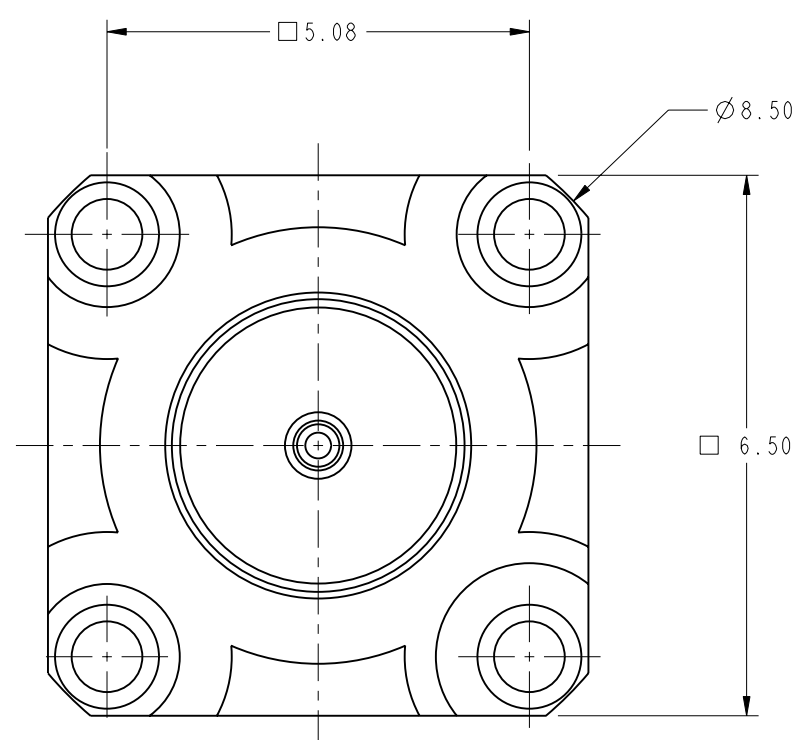
SCALE 5.000
RECOMMENDED PCB MOUNTING
HOLES DIMENSIONS



SCALE 4.000



INTERFACE PER
 349-50820
 SERIES : HD-BNC JACK



CUSTOMER OUTLINE DRAWING
 ALL OTHER SHEETS ARE FOR INTERNAL USE ONLY

UNLESS OTHERWISE SPECIFIED, DIMENSIONS ARE IN METRIC AND TOLERANCES ARE: <0.5mm ±0.05mm 0.5 - 6mm ±0.1mm 6 - 30mm ±0.2mm 30 - 120mm ±0.3mm ANGLES ±1° NOTICE - These drawings, specifications, or other data (1) are, and remain the property of Amphenol corp. (2) must be returned upon request; and (3) are confidential and not to be disclosed to any person other than those to whom they are given by Amphenol Corp. the furnishing of these drawings, specifications, or other data by Amphenol Corp., or to any other person to anyone for any purpose is not to be regarded by implication or otherwise in any manner licensing, granting rights to permitting such holder or any other sperson to manufacture, use or sell any product, process or design, patented or otherwise, that may in any way be related to or disclosed by said drawings, specifications, or other data.	MATERIAL	DRAWN	DATE	TITLE HD-BNC STR JACK PCB THROUGH HOLE 4 LEGS RECEPTACLE		Amphenol RF Danbury CT USA, Tainan, Taiwan, Shenzhen, China www.amphenolrf.com	
	SEE NOTES	S.LI	14-Oct-10				
	REFERENCE	APPROVED	DATE	SCALE: 11.0:1.0 SHEET 2 OF 4		DRAWING NO. 34-1024	
	EAR #3965	S.HSIEH	15-Oct-10	DWG SIZE		REV	ITEM NO. 34-1024
CONFIGURATION LEVEL: =%%Z0HXIBIGC%=	FINISH	CAD FILE	B		A	PART NO. 34-1024	
		Root Folder/HD-BNC/34-1024					

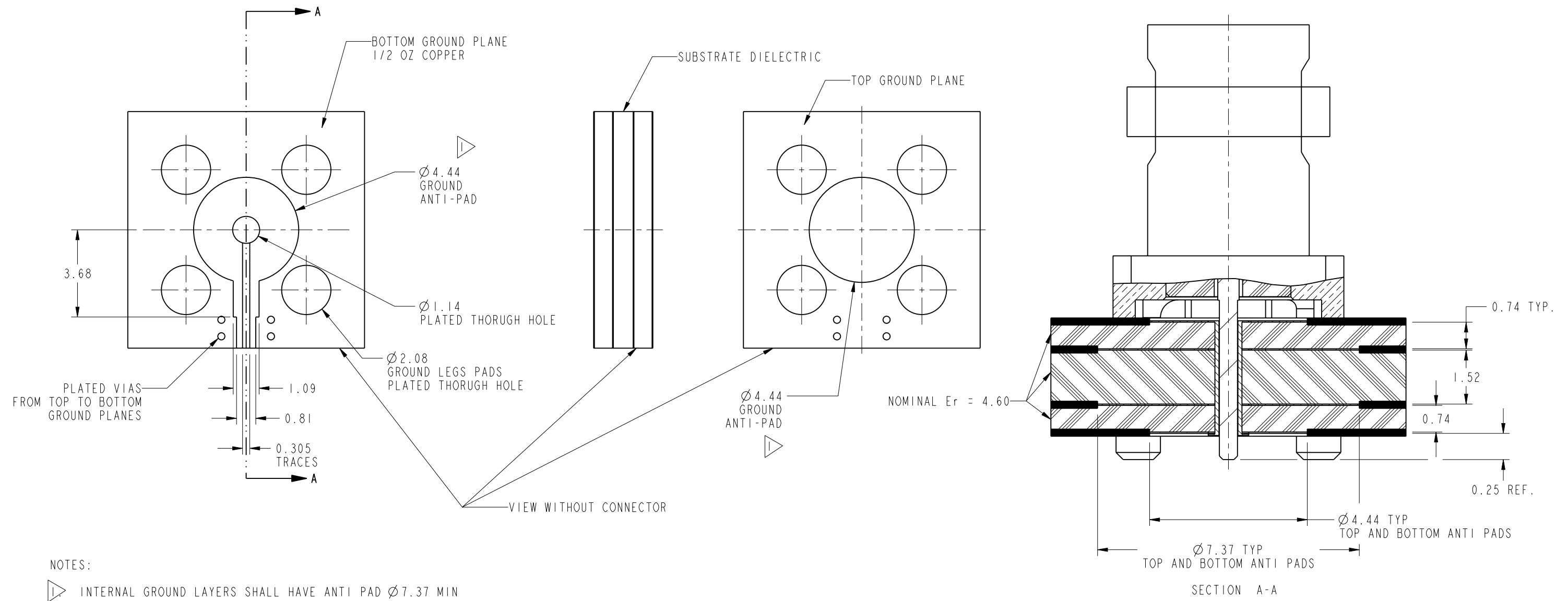
THIRD ANGLE PROJ.

REVISIONS

REV	DESCRIPTION	DATE	ECO	APPR
A	RELEASE TO MFG.	14-Oct-10	48165	PNE

RECOMMENDED PCB LAUNCH FOR OPTIMAL RF PERFORMANCE

VARIATIONS IN BOARD SUBSTRATE AND TRACE MAY REQUIRE DIFFERENT GEOMETRY



NOTES:
 INTERNAL GROUND LAYERS SHALL HAVE ANTI PAD Ø 7.37 MIN

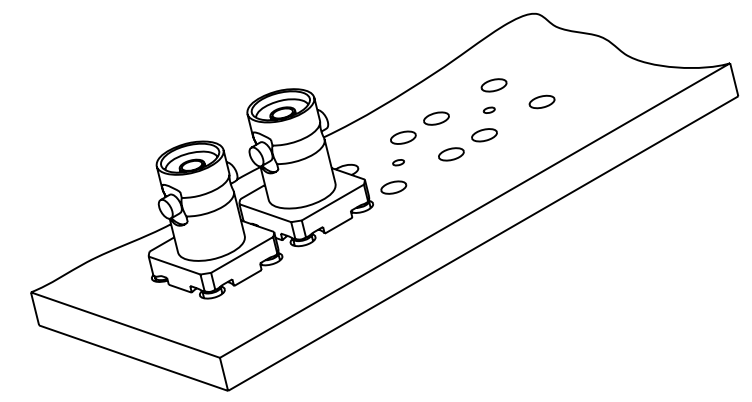
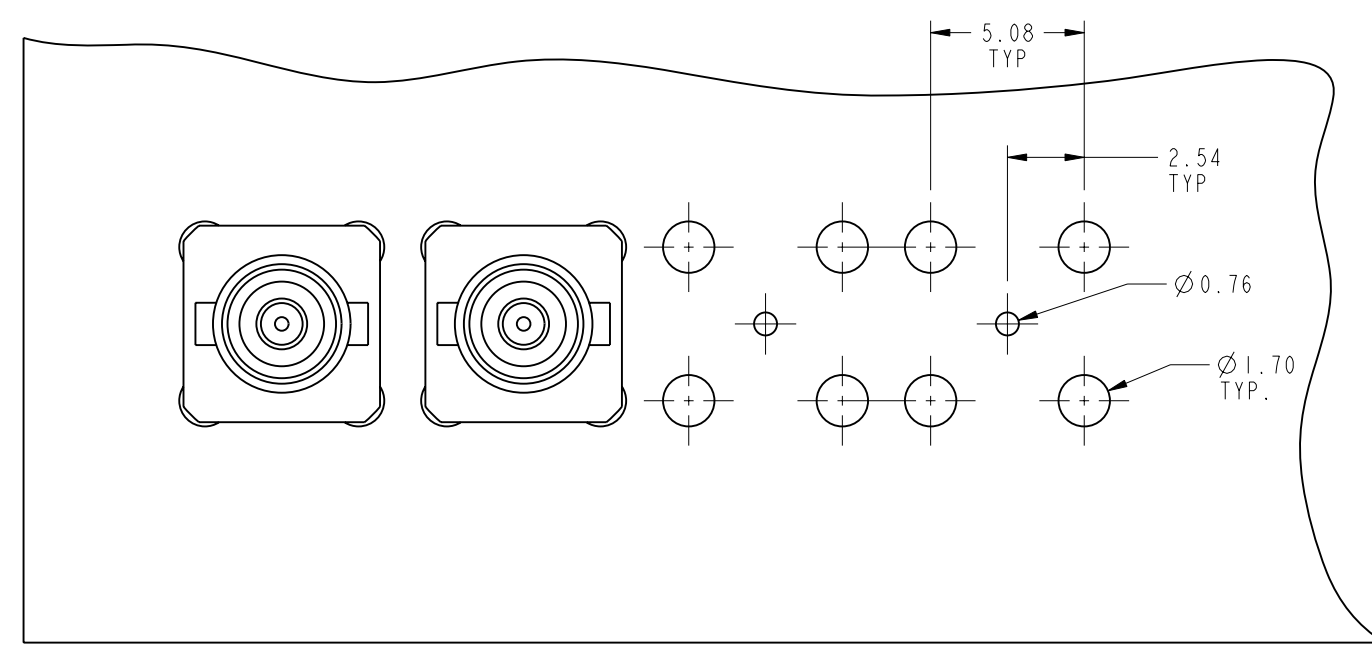
UNLESS OTHERWISE SPECIFIED, DIMENSIONS ARE IN METRIC AND TOLERANCES ARE: <0.5mm ± 0.05mm 0.5 - 6mm ± 0.1mm 6 - 30mm ± 0.2mm 30 - 120mm ± 0.3mm ANGLES ± 1°	MATERIAL	DRAWN S.LI	DATE 14-Oct-10	TITLE HD-BNC, STR JACK PCB THROUGH HOLE 4 LEGS RECEPTACLE	Amphenol RF Danbury CT USA, Tainan, Taiwan, Shenzhen, China www.amphenolrf.com
	REFERENCE EAR #3965	ENGINEER PADMANABHAN E	DATE 22-Jun-10		
NOTICE - These drawings, specifications, or other data (1) are, and remain the property of Amphenol corp. (2) must be returned upon request; and (3) are confidential and not to be disclosed to any person other than those to whom they are given by Amphenol Corp. the furnishing of these drawings, specifications, or other data by Amphenol Corp., or to any other person to anyone for any purpose is not to be regarded by implication or otherwise in any manner licensing, granting rights to permitting such holder or any other person to manufacture, use or sell any product, process or design, patented or otherwise, that may in any way be related to or disclosed by said drawings, specifications, or other data.	CONFIGURATION LEVEL: =%%Z0HXIBIGC%=	APPROVED S.HSIEH	DATE 15-Oct-10	SCALE: 1.0:1.0 SHEET 3 OF 4	ITEM NO. 34-1024
	FINISH	Root Folder/HD-BNC/34-1024	DWG SIZE B	REV A	PART NO. 34-1024

THIRD ANGLE PROJ.

REVISIONS

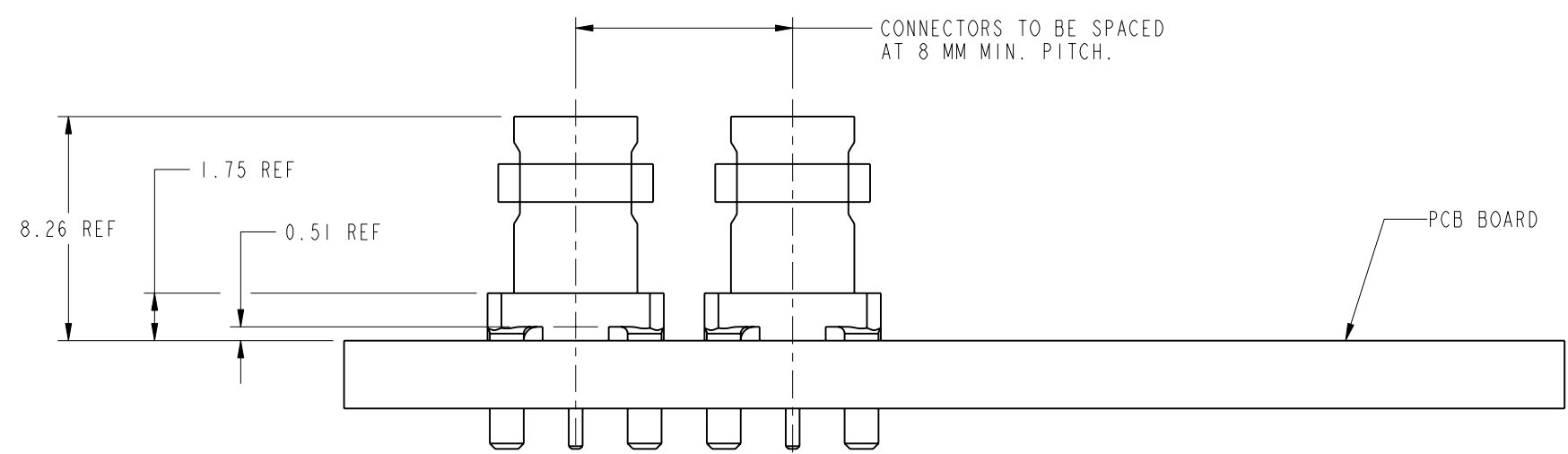
REV	DESCRIPTION	DATE	ECO	APPR
A	RELEASE TO MFG.	14-Oct-10	48165	PNE

CUSTOMER OUTLINE DRAWING
ALL OTHER SHEETS ARE FOR INTERNAL USE ONLY



SCALE 2.000

RECOMMENDED PCB MOUNTING HOLES



UNLESS OTHERWISE SPECIFIED, DIMENSIONS ARE IN METRIC AND TOLERANCES ARE:
 <0.5mm ±0.05mm 0.5 - 6mm ±0.1mm 6 - 30mm ±0.2mm 30 - 120mm ±0.3mm ANGLES ±1°

NOTICE - These drawings, specifications, or other data (1) are, and remain the property of Amphenol corp. (2) must be returned upon request; and (3) are confidential and not to be disclosed to any person other than those to whom they are given by Amphenol Corp. the furnishing of these drawings, specifications, or other data by Amphenol Corp., or to any other person to anyone for any purpose is not to be regarded by implication or otherwise in any manner licensing, granting rights to permitting such holder or any other sperson to manufacture, use or sell any product, process or design, patented or otherwise, that may in any way be related to or disclosed by said drawings, specifications, or other data.

MATERIAL	--
REFERENCE	EAR #3965
CONFIGURATION LEVEL:	=%Z0HXIBIGC%
FINISH	

DRAWN	S.LI	DATE	14-Oct-10
ENGINEER	PADMANABHAN E	DATE	22-Jun-10
APPROVED	S.HSIEH	DATE	15-Oct-10
CAD FILE	Root Folder/HD-BNC/34-1024		

TITLE	
HD-BNC, STR JACK PCB THROUGH HOLE 4 LEGS RECEPTACLE	
SCALE: 12.0:1.0	SHEET 4 OF 4
DWG SIZE B	REV A

Amphenol RF	
Danbury CT USA, Tainan, Taiwan, Shenzhen, China www.amphenolrf.com	
DRAWING NO. 34-1024	
ITEM NO. 34-1024	
PART NO. 34-1024	