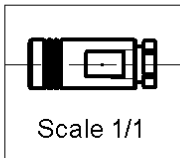
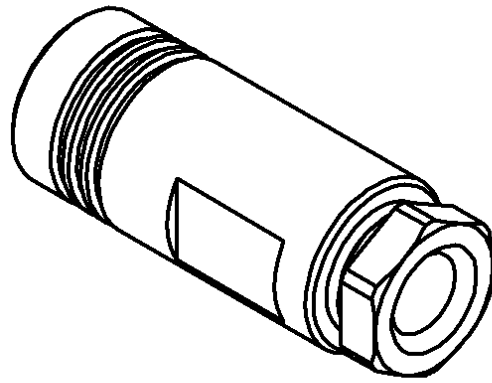
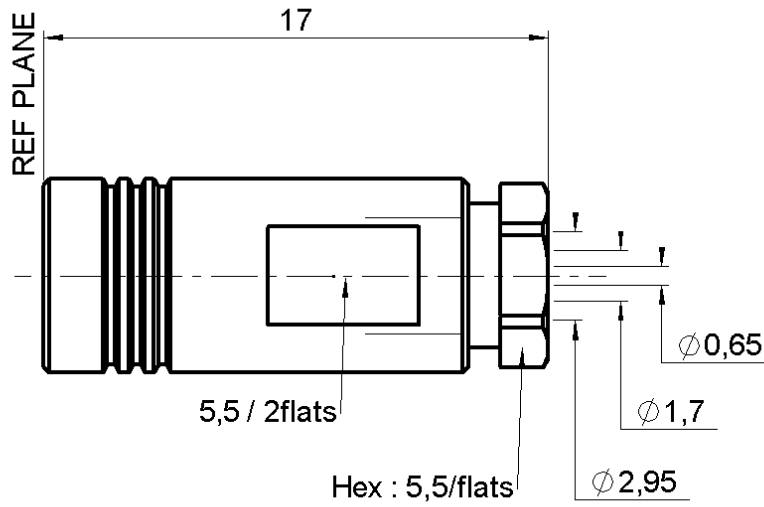


**STRAIGHT PLUG CLAMP TYPE**

**R114.005.133**

**CABLE 2.6/50+75 S**

Series : SMB



All dimensions are in mm.



COMPONENTS	MATERIALS	PLATINGS (µm)
BODY	BRASS	GOLD 0.2 OVER NICKEL 2
CENTER CONTACT	BERYLLIUM COPPER	GOLD 1.3 OVER NICKEL 2
OUTER CONTACT	BERYLLIUM COPPER	GOLD 0.5 OVER NICKEL 2
INSULATOR	PTFE	
GASKET	-	
OTHERS PARTS	BRASS	GOLD 0.2 OVER NICKEL 2
-	-	-
-	-	-

Issue : 0039 B

In the effort to improve our products, we reserve the right to make changes judged to be necessary.



**STRAIGHT PLUG CLAMP TYPE**

**R114.005.133**

**CABLE 2.6/50+75 S**

Series : SMB

**PACKAGING**

Standard	Unit	Other
<b>100</b>	<b>'W' option</b>	<b>Contact us</b>

**SPECIFICATION**

**ELECTRICAL CHARACTERISTICS**

Impedance		<b>50</b> Ω
Frequency		<b>0-4</b> GHz
VSWR	<b>1.25</b> +	<b>0.040</b> x F(GHz) Maxi
Insertion loss		<b>0.25</b> √F(GHz) dB Maxi
RF leakage	- (	<b>57</b> - F(GHz)) dB mini
Voltage rating		<b>335</b> Veff Maxi
Dielectric withstanding voltage		<b>1000</b> Veff mini
Insulation resistance		<b>1000</b> MΩ mini

**CABLE ASSEMBLY**

Stripping	a	b	c	d	e	f
mm	2.00	1.00	4.00	3.18	2.00	0.00

Assembly instruction :

Recommended cable(s)

RG 179

RG 188

RG 187

KX 22A

RG 316

Cable retention

- pull off

**110** N mini

- torque

**NA** N.cm

**MECHANICAL CHARACTERISTICS**

Center contact retention		
Axial force – Mating end		<b>10</b> N mini
Axial force – Opposite end		<b>10</b> N mini
Torque		<b>NA</b> N.cm mini

**TOOLING**

Part Number	Description	Hexagon
.	.	.

Recommended torque		
Mating		<b>NA</b> N.cm
Panel nut		<b>NA</b> N.cm
Clamp nut		<b>63</b> N.cm
A/F clamp nut		<b>5.500</b> mm

Mating life		<b>500</b> Cycles mini
Weight		<b>3.000</b> g

**OTHERS CHARACTERISTICS**

**ENVIRONMENTAL**

Operating temperature		<b>-65/+165</b> °C
Hermetic seal		<b>NA</b> Atm.cm3/s
Panel leakage		<b>NA</b>

Issue : 0039 B

In the effort to improve our products, we reserve the right to make changes judged to be necessary.



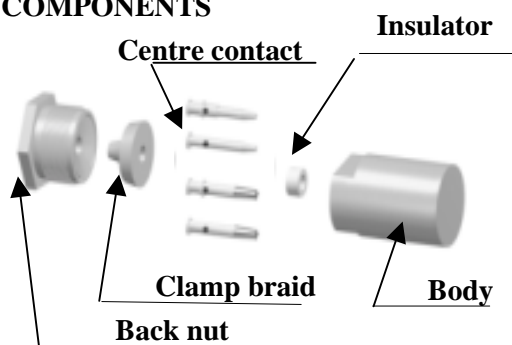
**STRAIGHT PLUG CLAMP TYPE**

**R114.005.133**

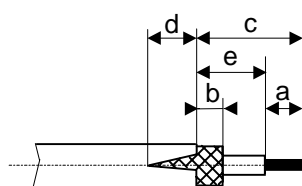
**CABLE 2.6/50+75 S**

Series : SMB

**COMPONENTS**

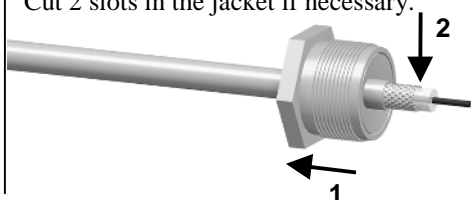


**STRIPPING DIMENSIONS**



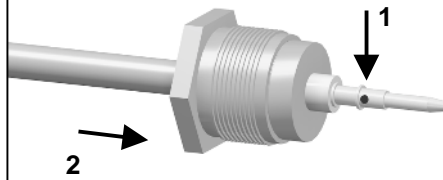
**1**

Slide the back nut onto the cable.  
Strip the cable.  
Cut 2 slots in the jacket if necessary.



**4**

Solder the centre contact onto the inner conductor.  
Slide the back nut over the cable assembly.



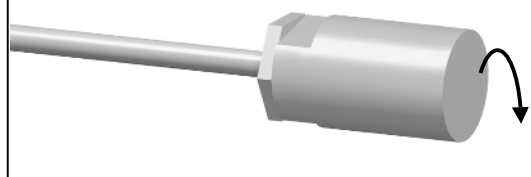
**2**

Slide the clamp braid sleeve between the cable dielectric and the braid.



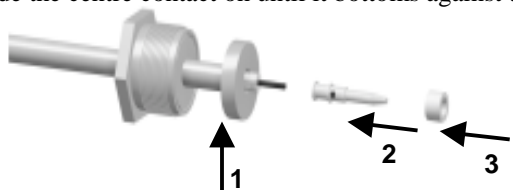
**5**

Screw sub-assembly into the connector body with the adapted wrench.



**3**

Cut the braid flush with the clamp braid sleeve.  
Slide the spacer onto the cable.  
Slide the centre contact on until it bottoms against the cable dielectric.



Issue : 0039 B

In the effort to improve our products, we reserve the right to make changes judged to be necessary.

