

# EV-T2M3SO-00-B - Infrastructure charging socket



1286399

<https://www.phoenixcontact.com/us/products/1286399>

Please be informed that the data shown in this PDF document is generated from our online catalog. Please find the complete data in the user documentation. Our general terms of use for downloads are valid.



CHARX connect modular, Infrastructure charging socket, square, Basic, without locking actuator, for charging electric vehicles (EV) with alternating current (AC), Type 2, IEC 62196-2, 32 A / 480 V (AC), without single-core wires, Rear panel mounting, M5 thread, housing: black, PHOENIX CONTACT logo, NOTE This product version does not include a locking actuator.

## Product description

Infrastructure charging socket for charging electric vehicles (EV) with alternating current (AC), compatible with type 2 Infrastructure Plugs, for installation at charging stations for E-Mobility (EVSE)

## Your advantages

- Protected against overheating with precise temperature measurement
- Flexible mounting and easy maintenance with plug-in cables
- Available with your logo on request – for consistent branding of your charging station
- Waterproof and dirtproof due to fully molded contacts
- Developed and produced in accordance with the IATF 16949 automotive standard and ISO 9001
- Uniform, space-saving installation space

## Commercial data

Item number	1286399
Packing unit	1 pc
Minimum order quantity	1 pc
Sales key	EM01
Product key	XWBADC
GTIN	4063151511371
Weight per piece (including packing)	360.8 g
Weight per piece (excluding packing)	338 g
Customs tariff number	85366990
Country of origin	DE

# EV-T2M3SO-00-B - Infrastructure charging socket



1286399

<https://www.phoenixcontact.com/us/products/1286399>

## Set consists of

EV-T2M3SO-CAP - Protective cap

1202424

<https://www.phoenixcontact.com/us/products/1202424>



CHARX connect modular, Protective cap, circular, Accessories, for strain relief and touch protection, Type 2, IEC 62196-2

# EV-T2M3SO-00-B - Infrastructure charging socket



1286399

<https://www.phoenixcontact.com/us/products/1286399>

## Technical data

### Notes

General	NOTE This product version does not include a locking actuator.
---------	--

### Product properties

Design (Infrastructure charging socket)	square
Design (Protective cap)	circular
Product type	Infrastructure charging socket
Product family	CHARX connect modular
Application	for charging electric vehicles (EV) with alternating current (AC) compatible with infrastructure charging plugs
Type	Basic
Design	without locking actuator
Affixed logo	PHOENIX CONTACT logo
Charging standard	Type 2
Charging mode	Mode 3, Case B

### Electrical properties

Type of signal transmission	Pulse width modulation
Note on the connection method	Connection via spade connector, separable and reconnectable
Type of charging current	AC 3-phase
Charging power rating	22 kW
Charging power	max. 26.6 kW
Charging current	max. 32 A

### Power contact

Number	5 (L1, L2, L3, N, PE)
Rated voltage	480 V AC
Rated current	max. 32 A

### Signal contact

Number	2 (CP, PP)
Rated voltage	30 V AC
Rated current	2 A

## Dimensions

### Infrastructure charging socket

Dimensional drawing	
---------------------	--

# EV-T2M3SO-00-B - Infrastructure charging socket



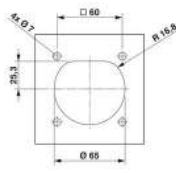
1286399

<https://www.phoenixcontact.com/us/products/1286399>

Note: This product version does not have the illustrated locking actuator.

Width	75 mm
Height	91.71 mm
Depth	87.95 mm

## Bore dimensions

Dimensional drawing	
Width	60 mm
Height	60 mm

## Protective cap

Width	64 mm
Height	57 mm
Depth	24 mm

## Material specifications

Color (Housing)	black (9005)
Material (Housing)	Plastic
Material (Contact surface)	Silver

## Cable/line

Cable type	without single-core wires
Single wire, cross section	6.00 mm <sup>2</sup>

## Single-core wires for locking actuator

Cable length	0.5 m
Cable structure	4 x 0.5 mm <sup>2</sup>
Single wire, material	PVC
Single wire, color	BU/RD, BU/GN, BU/YE, BU/BN
External cable diameter	1.6 mm ±0.20 mm
Cable resistance	≤ 37.1 Ω/m

## Mechanical properties

### Mechanical data

Insertion/withdrawal cycles	> 10000
Insertion force	< 100 N
Withdrawal force	< 100 N

1286399

<https://www.phoenixcontact.com/us/products/1286399>

## Environmental and real-life conditions

### Ambient conditions

Degree of protection (Infrastructure charging socket)	IP44 (plugged in)
Degree of protection (Protective cover)	IP54 (see accessories)
Ambient temperature (operation)	-30 °C ... 50 °C
Ambient temperature (storage/transport)	-40 °C ... 80 °C
Altitude	5000 m (above sea level)

## Standards and regulations

### Standards

Standards/regulations	IEC 62196-2
-----------------------	-------------

## Mounting

Mounting type Infrastructure charging socket	Rear panel mounting (0 to 90 degree frontal inclination possible)
Mounting type Protective cover	Rear panel mounting (available separately)
Max. wall thickness	max. 50 mm (Rear panel mounting, normative maximum specification for infrastructure plug)
	max. 28 mm (Rear mounting, normative maximum specification for infrastructure plug when using protective cover 1405217)
Mounting hole diameter	7.00 mm (ø)
Fixing screws	M5 thread
Screws included in the scope of delivery	none

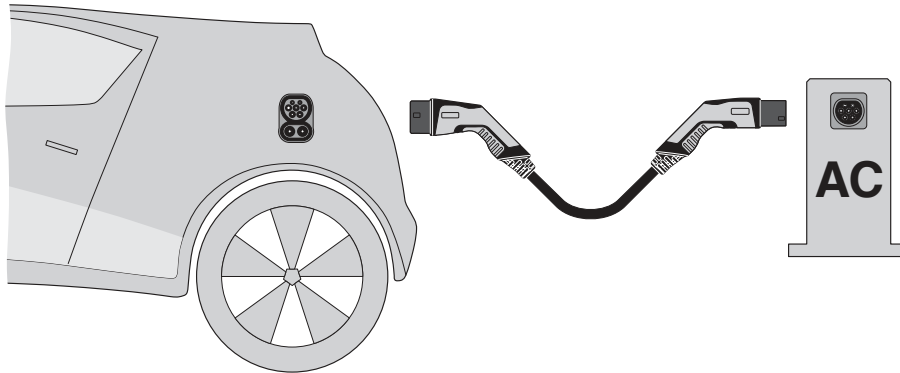
# EV-T2M3SO-00-B - Infrastructure charging socket

1286399

<https://www.phoenixcontact.com/us/products/1286399>

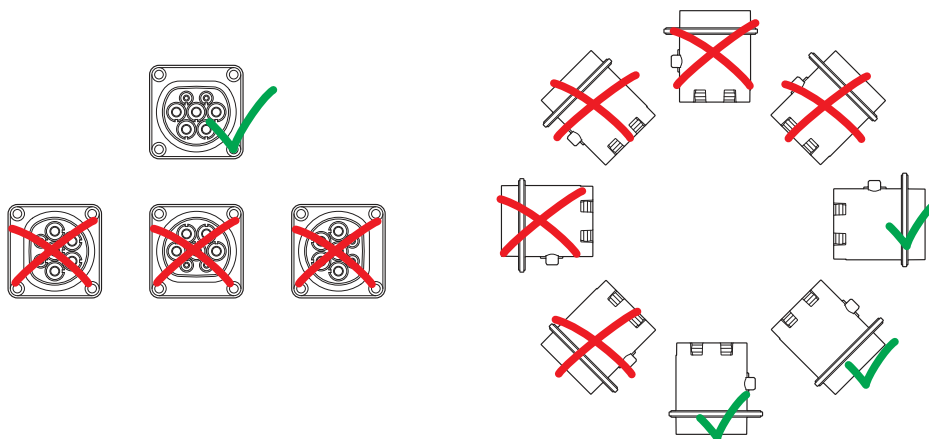
## Drawings

Schematic diagram



## Operating instructions

Schematic diagram



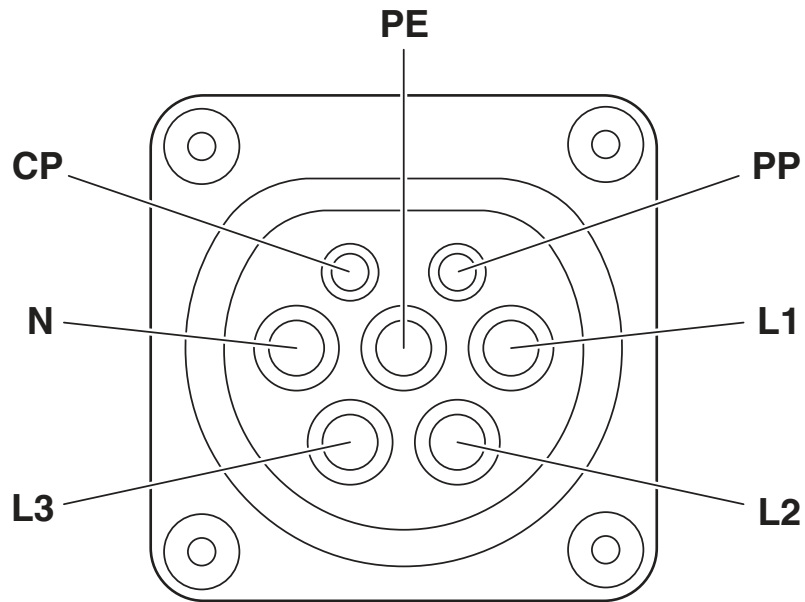
## Installation positions

# EV-T2M3SO-00-B - Infrastructure charging socket

1286399

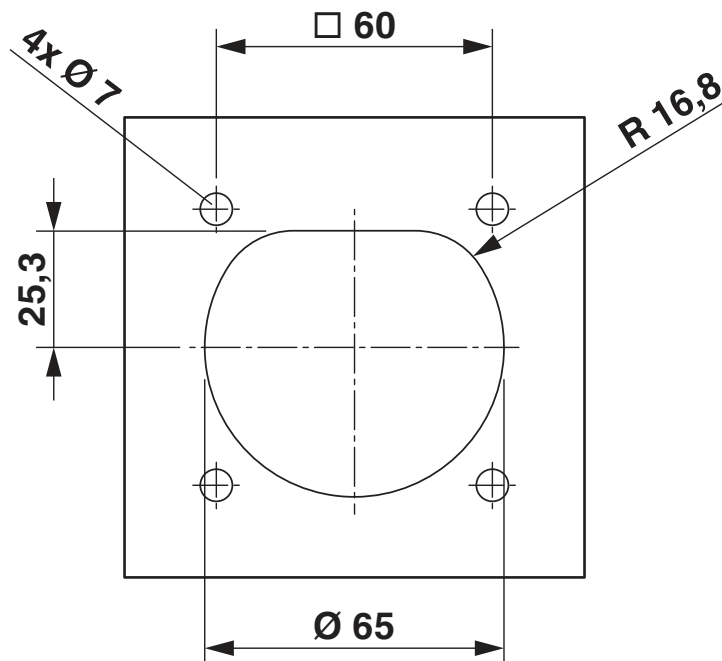
<https://www.phoenixcontact.com/us/products/1286399>

Connection diagram



Pin assignment of infrastructure charging socket

Dimensional drawing



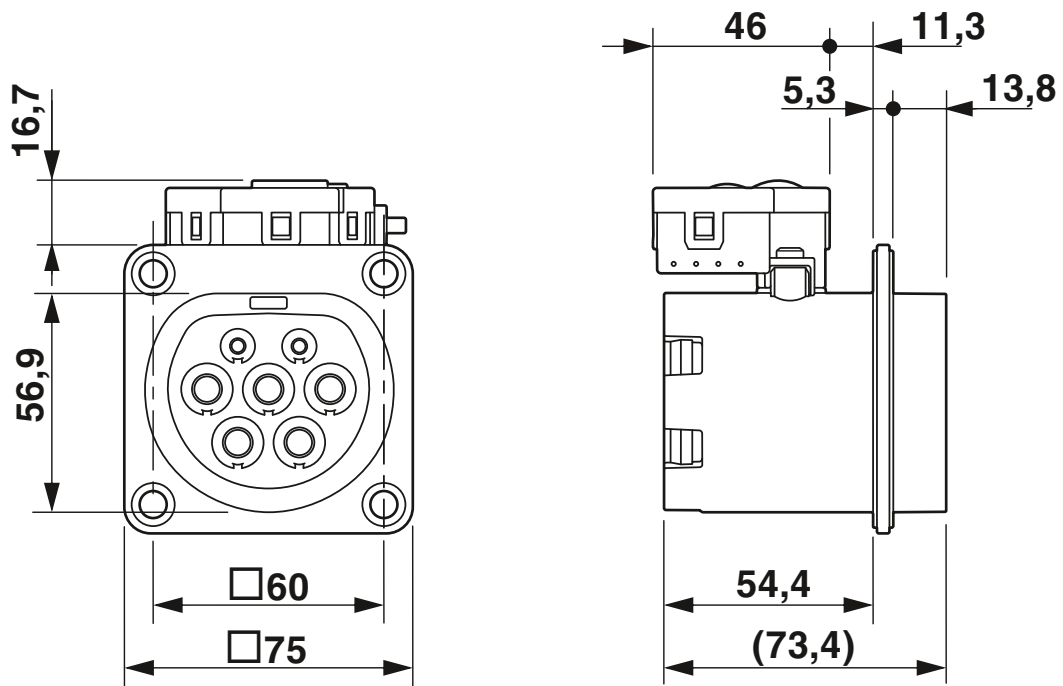
# EV-T2M3SO-00-B - Infrastructure charging socket



1286399

<https://www.phoenixcontact.com/us/products/1286399>

Dimensional drawing



Note: This product version does not have the illustrated locking actuator.



# EV-T2M3SO-00-B - Infrastructure charging socket



1286399

<https://www.phoenixcontact.com/us/products/1286399>

## Approvals

🔗 To download certificates, visit the product detail page: <https://www.phoenixcontact.com/us/products/1286399>



**VDE Gutachten mit Fertigungsüberwachung**

Approval ID: 40053862

# EV-T2M3SO-00-B - Infrastructure charging socket



1286399

<https://www.phoenixcontact.com/us/products/1286399>

## Classifications

### ECLASS

ECLASS-11.0	27144706
ECLASS-13.0	27144706
ECLASS-12.0	27144706

### ETIM

ETIM 8.0	EC002898
----------	----------

### UNSPSC

UNSPSC 21.0	39121800
-------------	----------

# EV-T2M3SO-00-B - Infrastructure charging socket



1286399

<https://www.phoenixcontact.com/us/products/1286399>

## Environmental product compliance

REACH SVHC	Lead 7439-92-1
China RoHS	Environmentally Friendly Use Period = 10;
	For information on hazardous substances, refer to the manufacturer's declaration available under "Downloads"

# EV-T2M3SO-00-B - Infrastructure charging socket



1286399

<https://www.phoenixcontact.com/us/products/1286399>

## Accessories

### EV-LABEL-C-SO - Label

1315521

<https://www.phoenixcontact.com/us/products/1315521>

CHARX connect, Label, Accessories, for AC type 2 infrastructure charging socket and for AC type 2 infrastructure charging plug, DIN EN 17186



---

### EV-T2SOC-B - Protective cover

1164293

<https://www.phoenixcontact.com/us/products/1164293>

CHARX connect modular, Protective cover, square, Accessories, Basic, with self-locking mechanism, for attaching to infrastructure charging sockets, Type 2, IEC 62196-2, Front mounting, M5 thread, Embossed PHOENIX CONTACT logo



## EV-T2M3SO-00-B - Infrastructure charging socket

1286399

<https://www.phoenixcontact.com/us/products/1286399>



### EV-T2M3SOW-1AC32A-0,3M6,0E - Cable set for infrastructure charging socket

1164343

<https://www.phoenixcontact.com/us/products/1164343>



CHARX connect modular, Cable set for infrastructure charging socket, Accessories, with slip-on sleeve at one end, Only for connection to generation 2 infrastructure charging sockets from Phoenix Contact, Type 2, IEC 62196-2, 32 A / 250 V (AC), Single wires, length: 0.3 m, Plug-in mounting

### EV-T2M3SOW-3AC20A-0,3M2,5E - Cable set for infrastructure charging socket

1164355

<https://www.phoenixcontact.com/us/products/1164355>



CHARX connect modular, Cable set for infrastructure charging socket, Accessories, with slip-on sleeve at one end, Only for connection to generation 2 infrastructure charging sockets from Phoenix Contact, Type 2, IEC 62196-2, 20 A / 480 V (AC), Single wires, length: 0.3 m, Plug-in mounting

## EV-T2M3SO-00-B - Infrastructure charging socket

1286399

<https://www.phoenixcontact.com/us/products/1286399>



### EV-T2M3SOW-3AC32A-0,3M6,0E - Cable set for infrastructure charging socket

1164362

<https://www.phoenixcontact.com/us/products/1164362>



CHARX connect modular, Cable set for infrastructure charging socket, Accessories, with slip-on sleeve at one end, Only for connection to generation 2 infrastructure charging sockets from Phoenix Contact, Type 2, IEC 62196-2, 32 A / 480 V (AC), Single wires, length: 0.3 m, Plug-in mounting

---

### EV-T2M3SOW-1AC32A-0,7M6,0E - Cable set for infrastructure charging socket

1164344

<https://www.phoenixcontact.com/us/products/1164344>



CHARX connect modular, Cable set for infrastructure charging socket, Accessories, with slip-on sleeve at one end, Only for connection to generation 2 infrastructure charging sockets from Phoenix Contact, Type 2, IEC 62196-2, 32 A / 250 V (AC), Single wires, length: 0.7 m, Plug-in mounting

## EV-T2M3SO-00-B - Infrastructure charging socket

1286399

<https://www.phoenixcontact.com/us/products/1286399>



### EV-T2M3SOW-3AC20A-0,7M2,5E - Cable set for infrastructure charging socket

1164361

<https://www.phoenixcontact.com/us/products/1164361>



CHARX connect modular, Cable set for infrastructure charging socket, Accessories, with slip-on sleeve at one end, Only for connection to generation 2 infrastructure charging sockets from Phoenix Contact, Type 2, IEC 62196-2, 20 A / 480 V (AC), Single wires, length: 0.7 m, Plug-in mounting

---

### EV-T2M3SOW-3AC32A-0,7M6,0E - Cable set for infrastructure charging socket

1164365

<https://www.phoenixcontact.com/us/products/1164365>



CHARX connect modular, Cable set for infrastructure charging socket, Accessories, with slip-on sleeve at one end, Only for connection to generation 2 infrastructure charging sockets from Phoenix Contact, Type 2, IEC 62196-2, 32 A / 480 V (AC), Single wires, length: 0.7 m, Plug-in mounting

# EV-T2M3SO-00-B - Infrastructure charging socket



1286399

<https://www.phoenixcontact.com/us/products/1286399>

## EV-T2M3SO-CAP - Protective cap

1202424

<https://www.phoenixcontact.com/us/products/1202424>



CHARX connect modular, Protective cap, circular, Accessories, for strain relief and touch protection, Type 2, IEC 62196-2

---

## EV-T2M3SO-CAP-REMOVER - Removal tool

1286836

<https://www.phoenixcontact.com/us/products/1286836>



CHARX connect modular, Removal tool, Accessories, for removing the protective cap for strain relief and touch protection, which is mounted on the back of the infrastructure charging sockets, Type 2



# EV-T2M3SO-00-B - Infrastructure charging socket



1286399

<https://www.phoenixcontact.com/us/products/1286399>

## CHARX SEC-1000 - AC charging controller

1139034

<https://www.phoenixcontact.com/us/products/1139034>



CHARX control modular, AC charging controller, IEC 61851-1, operating mode: Stand-Alone, Client, interface: CHARX control modular system bus, Connectable peripheral devices: Energy meter, RFID, DC residual current detection, DIN rail mounting

---

## CHARX SEC-3000 - AC charging controller

1139022

<https://www.phoenixcontact.com/us/products/1139022>



CHARX control modular, AC charging controller, with Embedded Linux system, IEC 61851-1, operating mode: Stand-Alone, Client, Server, interface: Ethernet (2 x), CHARX control modular system bus, MICRO-USB type C, communication protocol: OCPP 1.6J, Modbus/TCP, MQTT, Connectable peripheral devices: Energy meter, RFID, DC residual current detection, DIN rail mounting

# EV-T2M3SO-00-B - Infrastructure charging socket



1286399

<https://www.phoenixcontact.com/us/products/1286399>

## CHARX SEC-3050 - AC charging controller

1139018

<https://www.phoenixcontact.com/us/products/1139018>



CHARX control modular, AC charging controller, with Embedded Linux system, IEC 61851-1, ISO 15118, operating mode: Stand-Alone, Client, Server, interface: Ethernet (2x), CHARX control modular system bus, MICRO-USB type C, communication protocol: OCPP 1.6J, Modbus/TCP, MQTT, Connectable peripheral devices: Energy meter, RFID, DC residual current detection, DIN rail mounting

---

## CHARX SEC-3100 - AC charging controller

1139012

<https://www.phoenixcontact.com/us/products/1139012>



CHARX control modular, AC charging controller, with Embedded Linux system, IEC 61851-1, operating mode: Stand-Alone, Client, Server, interface: Ethernet (2 x), Cellular communication (4G/2G), CHARX control modular system bus, MICRO-USB type C, communication protocol: OCPP 1.6J, Modbus/TCP, MQTT, Connectable peripheral devices: Energy meter, RFID, DC residual current detection, DIN rail mounting

## EV-T2M3SO-00-B - Infrastructure charging socket

1286399

<https://www.phoenixcontact.com/us/products/1286399>



## CHARX SEC-3150 - AC charging controller

1138965

<https://www.phoenixcontact.com/us/products/1138965>



CHARX control modular, AC charging controller, with Embedded Linux system, IEC 61851-1, ISO 15118, operating mode: Stand-Alone, Client, Server, interface: Ethernet (2x), Cellular communication (4G/2G), CHARX control modular system bus, MICRO-USB type C, communication protocol: OCPP 1.6J, Modbus/TCP, MQTT, Connectable peripheral devices: Energy meter, RFID, DC residual current detection, DIN rail mounting

---

## VAL-EV-T1/T2 264/12.5/3+1 - Lightning/surge arrester type 1/2

1180149

<https://www.phoenixcontact.com/us/products/1180149>



CHARX protect advanced: Plug-in lightning surge/surge protective device, in accordance with Type 1/2 / Class I/II, for 3-phase power supply networks with separate N and PE (5-conductor system: L1, L2, L3, N, PE). Specifically designed for use in e-mobility.

# EV-T2M3SO-00-B - Infrastructure charging socket



1286399

<https://www.phoenixcontact.com/us/products/1286399>

## VAL-EV-T1/T2 264/12.5/3+1-R - Lightning/surge arrester type 1/2

1180150

<https://www.phoenixcontact.com/us/products/1180150>



CHARX protect advanced: Plug-in lightning surge/surge protective device, in accordance with Type 1/2 / Class I/II, for 3-phase power supply networks with separate N and PE (5-conductor system: L1, L2, L3, N, PE), with remote indication contact. Specifically designed for use in e-mobility.

---

## VAL-EV-T2 280/3+1 - Type 2 surge arrester

1180144

<https://www.phoenixcontact.com/us/products/1180144>



CHARX protect basic: Plug-in surge protective device, in accordance with Type 2/Class II, for 3-phase power supply networks with separate N and PE (5-conductor system: L1, L2, L3, N, PE). Specifically designed for use in e-mobility.

# EV-T2M3SO-00-B - Infrastructure charging socket

1286399

<https://www.phoenixcontact.com/us/products/1286399>



## VAL-EV-T2 280/3+1-R - Type 2 surge arrester

1180145

<https://www.phoenixcontact.com/us/products/1180145>



CHARX protect basic: Plug-in surge protective device, in accordance with Type 2/Class II, for 3-phase power supply networks with separate N and PE (5-conductor system: L1, L2, L3, N, PE), with remote indication contact. Specifically designed for use in e-mobility.

---

Phoenix Contact 2023 © - all rights reserved

<https://www.phoenixcontact.com>

Phoenix Contact USA  
586 Fulling Mill Road  
Middletown, PA 17057, United States  
(+717) 944-1300  
[info@phoenixcon.com](mailto:info@phoenixcon.com)