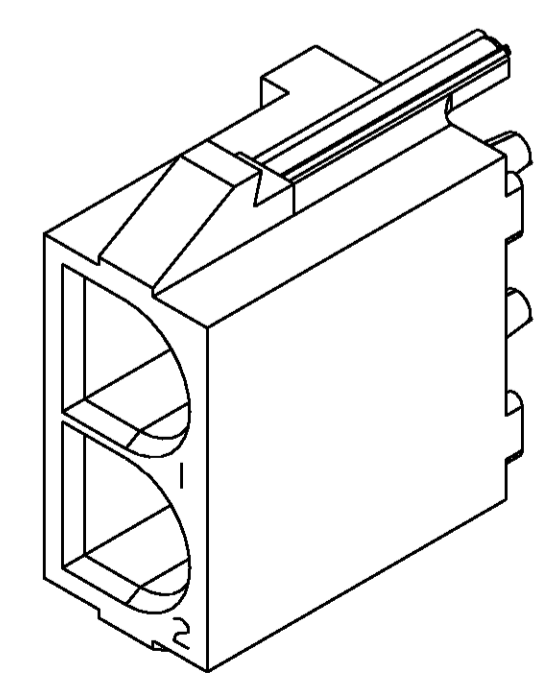
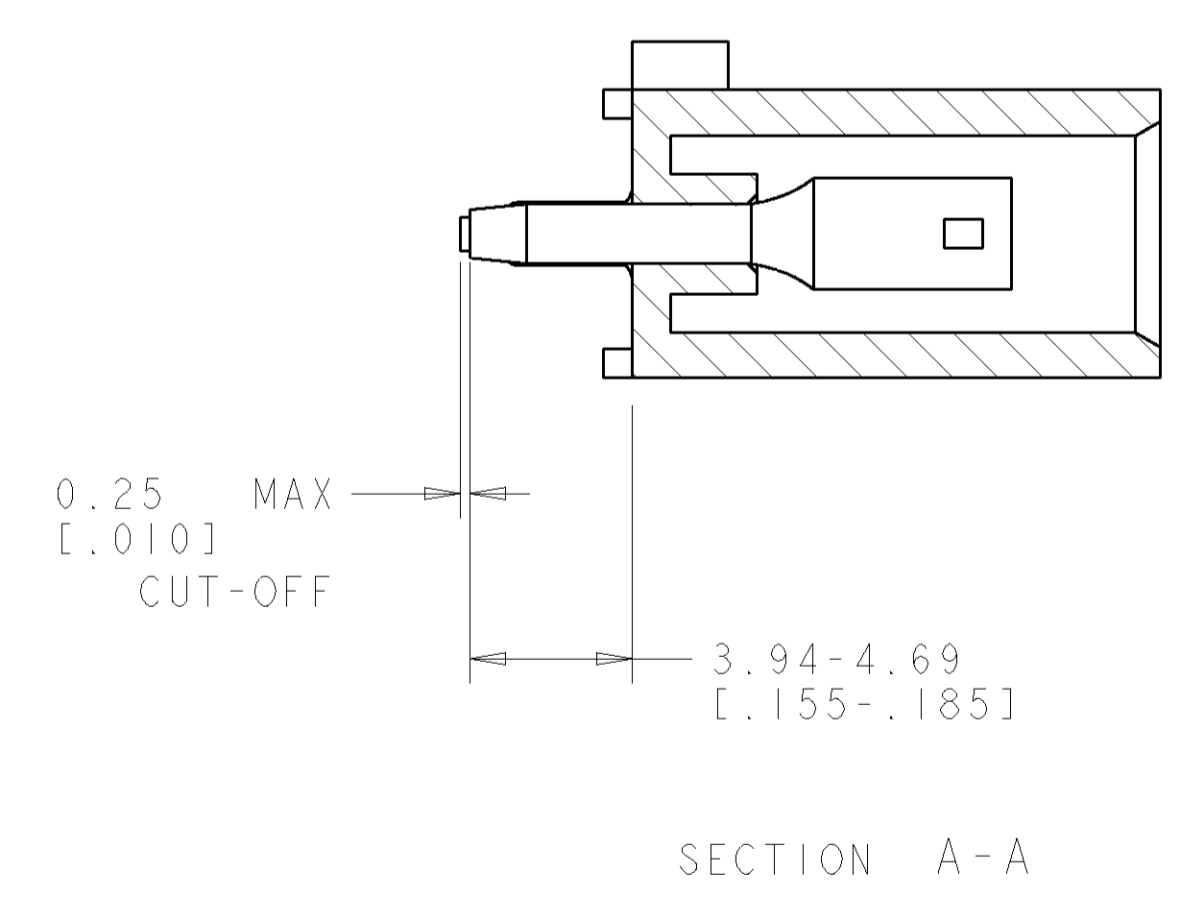
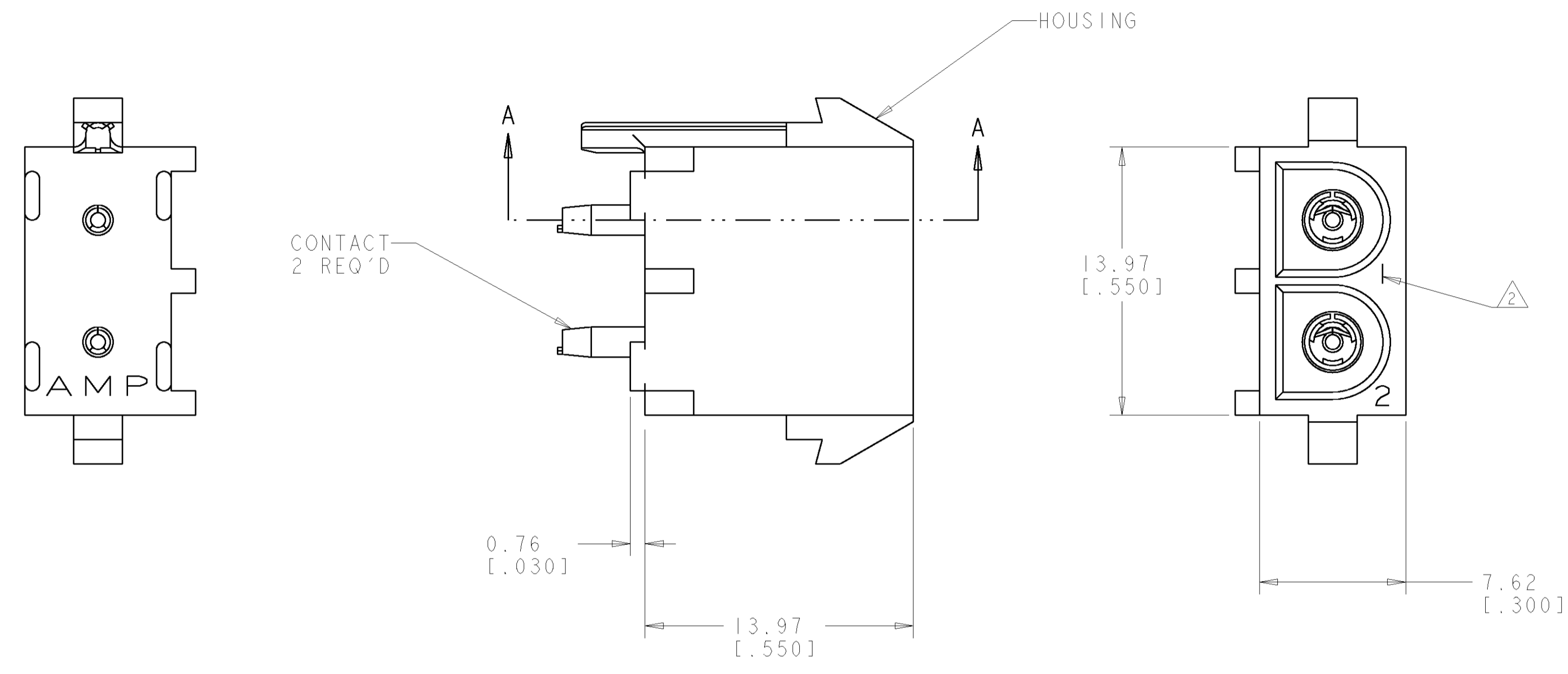
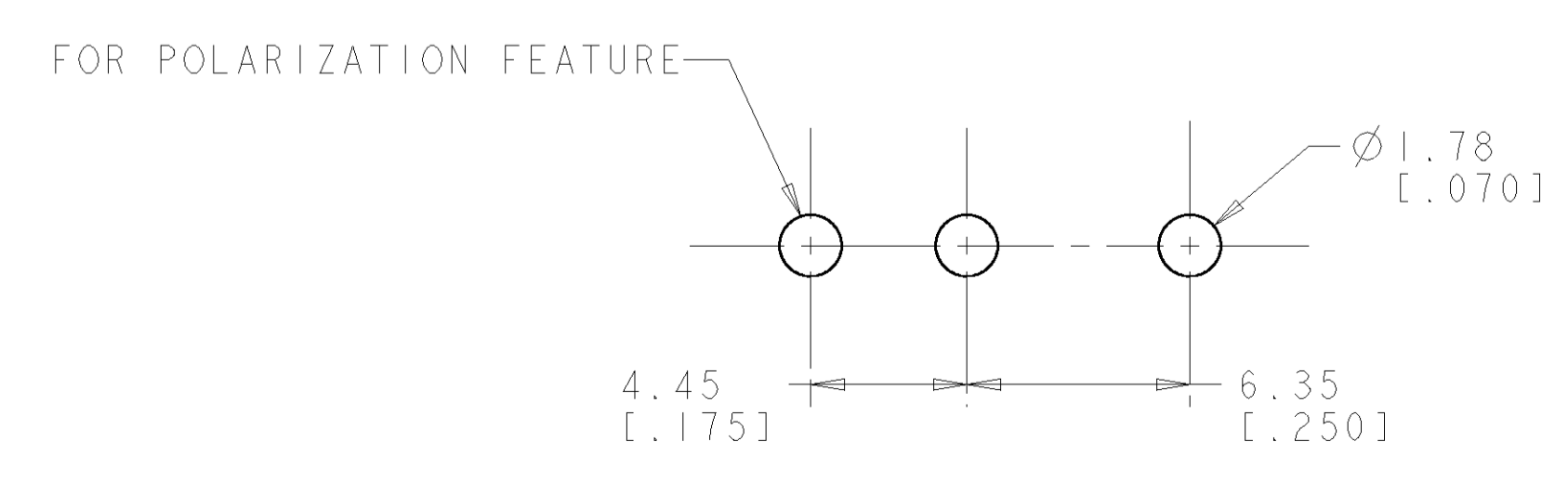


LOC		DIST		REVISIONS			
CM	00	P	LTR	DESCRIPTION	DATE	DWN	APVD
		0		REVISED PER 0638-0439-03	21-NOV-03	KW	SR

- PARTS COMPLY TO AMP SOLDERABILITY SPECIFICATION 109-11-3.
- CIRCUIT IDENTIFICATION CHARACTERS ARE ADJACENT TO THE INDICATED CAVITIES, BUT LOCATION AND ORIENTATION MAY DIFFER FROM PRINT.
- DIMENSIONS IN BRACKETS ARE IN INCHES.



3 DIMENSIONAL VIEW
SCALE 4:1



RECOMMENDED MOUNTING HOLE PATTERN
FOR 1.57 [.062] THICK P.C. BOARD

PHOSPOR BRONZE, PRE-TIN CONTACT MATERIAL AND FINISH	NYLON, UL94V-2, NATURAL HOUSING MATERIAL AND COLOR	1586208-1 PART NUMBER
<small>THE DIMENSIONS OF DIMENSIONED FEATURES SHALL BE TO THE INDICATED TOLERANCE UNLESS OTHERWISE SPECIFIED. DIMENSIONS ARE TO BE TAKEN TO THE CENTER OF THE FEATURE UNLESS OTHERWISE SPECIFIED.</small>		DWN: B. WHITAKER 21-NOV-03 CHK: S. RIDGILL 21-NOV-03 APVD: S. RIDGILL 21-NOV-03 NAME: SOCKET HEADER ASSEMBLY, POLARIZED, 2 CIRCUIT, W/O DRAIN HOLES, UNIVERSAL MATE-N-LOK™ SIZE: A1 CAGE CODE: 00779 DRAWING NO: 1586208 RESTRICTED TO: - REV: 0
DIMENSIONS: mm [INCHES] 0 PLC ± 1 PLC ± 2 PLC ±0.13 (.005) 3 PLC ± 4 PLC ± ANGLES ±0°30'	TOLERANCES UNLESS OTHERWISE SPECIFIED: 0 PLC ± 1 PLC ± 2 PLC ±0.13 (.005) 3 PLC ± 4 PLC ± ANGLES ±0°30'	Tyco Electronics Harrisburg, PA 17105-3608 Tyco Electronics Harrisburg, PA 17105-3608
MATERIAL: SEE TABLE	FINISH: SEE TABLE	CUSTOMER DRAWING
SCALE 5:1		SHEET 1 OF 1

