

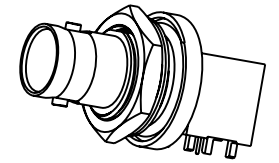
NOTES:

- MATERIALS AND FINISHES:
 BODY - BRASS, TIN PLATING
 CONTACT - BeCu, GOLD PLATING
 REAR CONTACT - BRASS, GOLD PLATING
 HEX NUT, CAP, RETAINING RING - BRASS, NICKEL PLATING
 LOCKWASHER - PHOSPHOR BRONZE, NICKEL PLATING
 INSULATORS - PTFE
- ELECTRICAL:
 A. IMPEDANCE: 75 OHM
 B. FREQUENCY RANGE: DC - 12 GHz
- MAX. PANEL THICKNESS: 1.52 [0.060] MAX.
- MECHANICAL:
 A. DURABILITY: 500 CYCLES MIN.
 B. TEMPERATURE RANGE: -65°C TO +165°C
 C. CONNECTOR IS IP-67 COMPLIANT IN UNMATED CONDITION WHEN MATED TO PANEL.
- PACKAGING:
 A. QUANTITY: SINGLE PACK
 B. MARKING: PACKAGING TO BE MARKED "AMPHENOL RF, 31-70564-12G, AND DATE CODE"

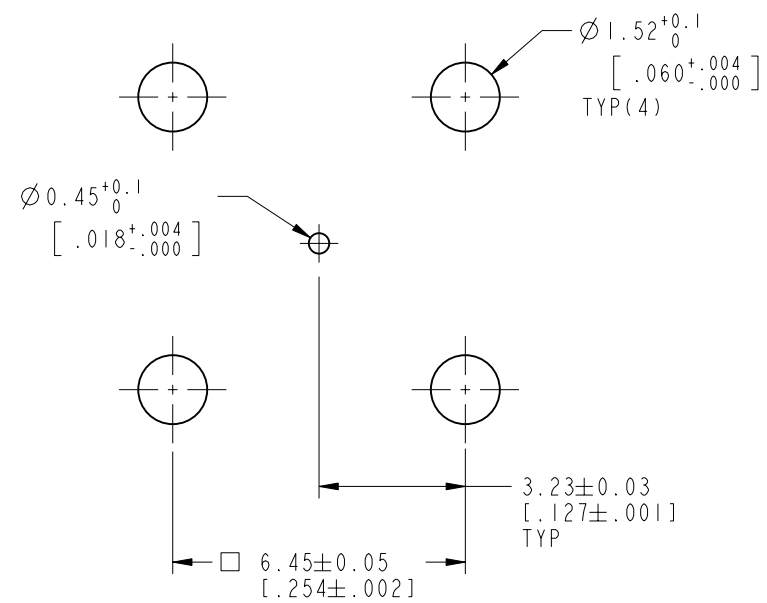
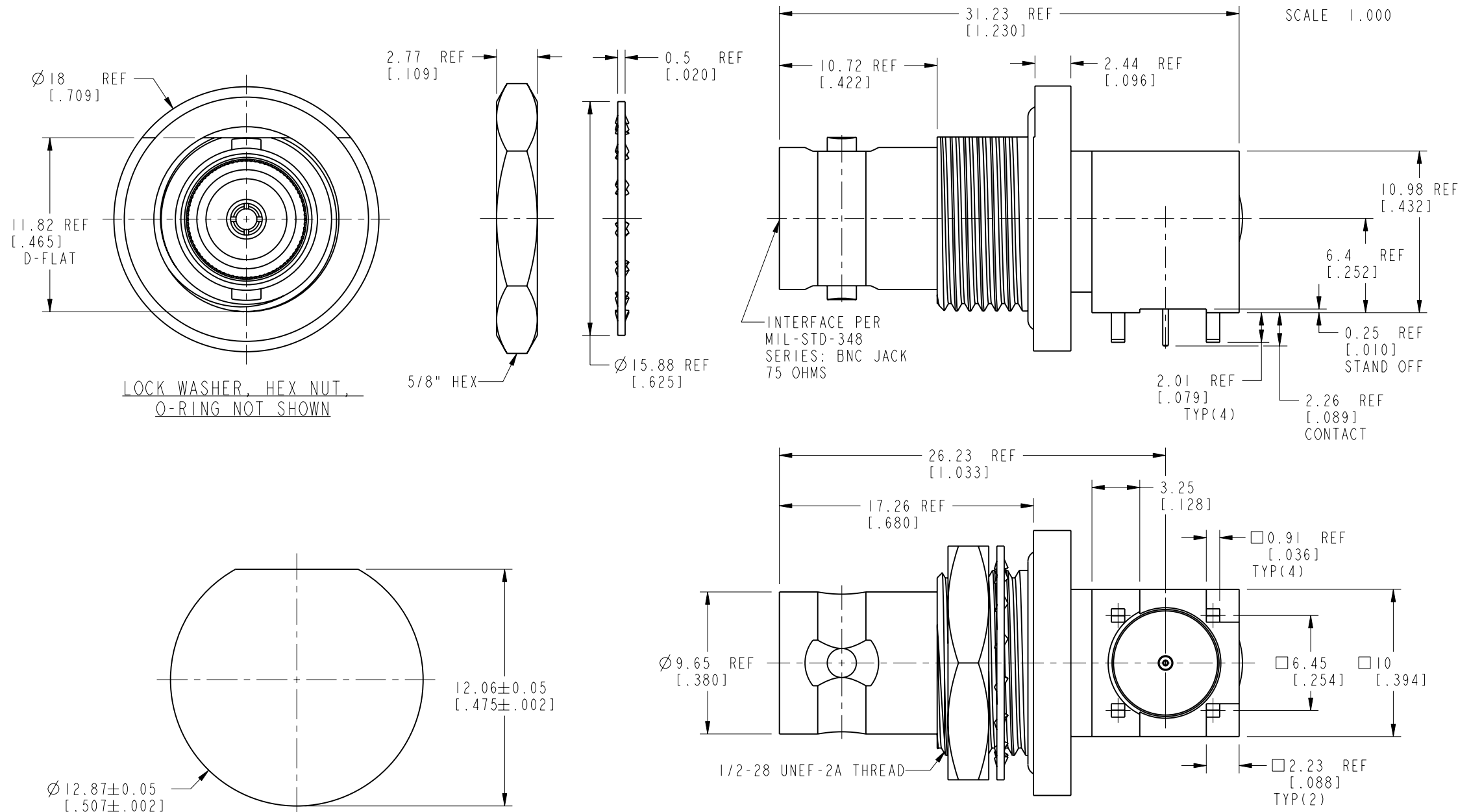
THIRD ANGLE PROJ.

REVISIONS

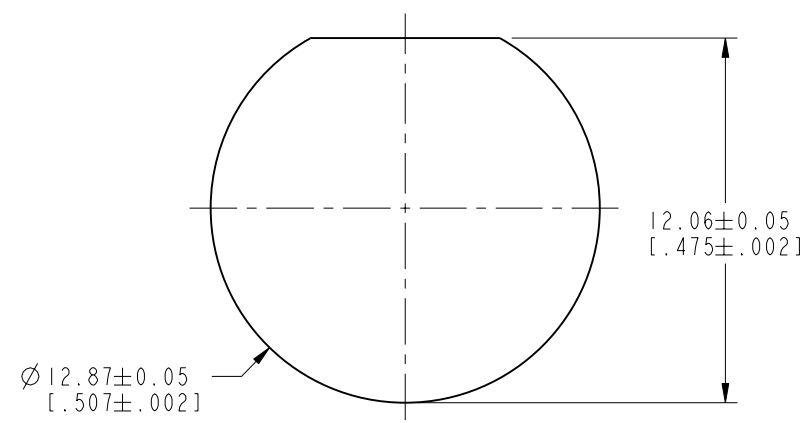
REV	DESCRIPTION	DATE	ECN	APPR
A	RELEASE TO MFG.	18-Feb-19	10462	EH
B	NO CHANGES TO THIS SHEET	30-May-19	11681	EH



SCALE 1.000



RECOMMENDED PCB HOLE DIMENSIONS



RECOMMENDED MOUNTING HOLE DIMENSIONS

CUSTOMER OUTLINE DRAWING

ALL OTHER SHEETS ARE FOR INTERNAL USE ONLY

UNLESS OTHERWISE SPECIFIED, DIMENSIONS ARE IN METRIC AND TOLERANCES ARE: <0.5mm ± 0.05mm 0.5 - 6mm ±0.1mm 6 - 30mm ±0.2mm 30 - 120mm ± 0.3mm ANGLES ±1°	MATERIAL NOTE 1	DRAWN S. DUAN	DATE 31-May-19	TITLE 75 OHM BNC R/A BHD PCB JACK, IP67		Amphenol RF www.amphenolrf.com	
	REFERENCE EAR# 8866 REF: 31-70551-12G	ENGINEER E. HILL	DATE 24-Jan-19				
NOTICE - These drawings, specifications, or other data (1) are, and remain the property of Amphenol corp. (2) must be returned upon request; and (3) are confidential and not to be disclosed to any person other than those to whom they are given by Amphenol Corp. the furnishing of these drawings, specifications, or other data by Amphenol Corp., or to any other person to anyone for any purpose is not to be regarded by implication or otherwise in any manner licensing, granting rights to permitting such holder or any other person to manufacture, use or sell any product, process or design, patented or otherwise, that may in any way be related to or disclosed by said drawings, specifications, or other data.	CONFIGURATION LEVEL: In Work	APPROVED S.HSIEH	DATE 31-May-19	SCALE: 3.0:1.0	SHEET 2 OF 2	DRAWING NO. 31-70564-12G	
	FINISH	CAD FILE		DWG SIZE B	REV B	ITEM NO. 31-70564-12G	PART NO. 31-70564-12G