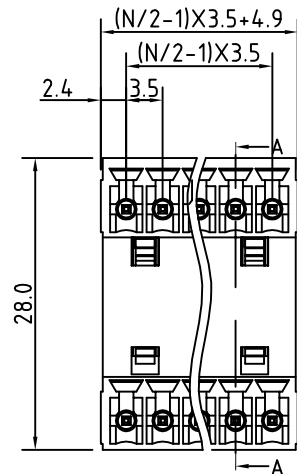
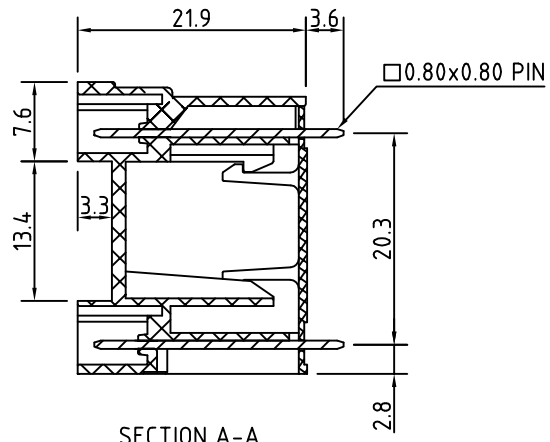


| SIGN | DATE | DESCRIPTION | APPROVER |
|---|----------|---------------------------|----------|
| △ | 10.23'06 | Standard spec is changed. | Marvin |
| <i>THIS IS CAD DRAWING, DO NOT REVISE MANUALLY!!!</i> | | | |



N=Number of poles



Material

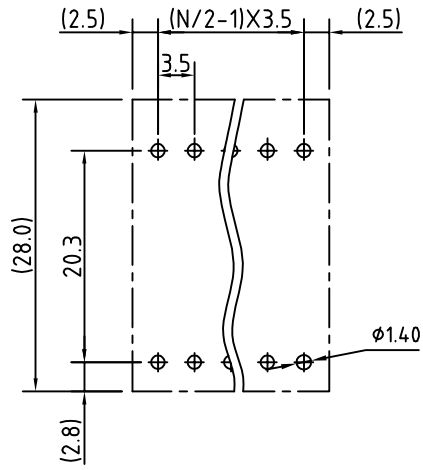
- Terminal body (Contact pin): Brass Whit Tin plated
- Insulator (housing): Thermoplastic (UL94V-0)

Electrical cULus

- Voltage rating: 300VAC
- Current rating: 10A
- Withstanding Voltage: 1.6KV
- Operating temperature: -30°C to +105°C
- Soldering temperature: 250°C±10°C/5 Sec
- Safety Approval: US

RoHS Compliant

P.C.B. LAYOUT



PART NUMBER:

OSTVLXX1150

- | | | |
|----------------|---|---------------------|
| No. of Poles | ↓ | COLOR |
| 04: 2x02 Poles | | 0: Black |
| 06: 2x03 Poles | | 5: Green (Standard) |
| : | | 6: Blue |
| 48 2x24 Poles | | 8: Grey |



THESE DRAWINGS AND SPECIFICATIONS ARE THE PROPERTY OF ON-SHORE TECHNOLOGY, INC. AND SHALL NOT BE REPRODUCED, COPIED OR USED IN ANY MANNER WITHOUT THE PRIOR WRITTEN CONSENT OF ON-SHORE TECHNOLOGY, INC.

| | | | | | | |
|-----------------------|----------------------|---|----------------------|--------------|------------|-----------|
| TITLE | | OSTVL-3.5mm Series closed vertical 2x2p-2x24p | | | | |
| PART NO. | OSTVLXX1150 | DWG NO. | OSTVLXX1150.DWG | | | |
| APPROVED | CHECKED | DESIGNED | DRAWN | CUST NO. | Tolerance | |
| Shi Jun 2006.10.23 | Marvin 2006.10.23 | Marvin 2006.10.23 | Marvin 2006.10.23 | | X. ±0.50 | |
| | | | | | UNIT: mm | X.X ±0.30 |
| | | | | SCALE: NONE | X.XX ±0.10 | |
| | | | | SHEET: 01/01 | REV.: D | X° ±1° |