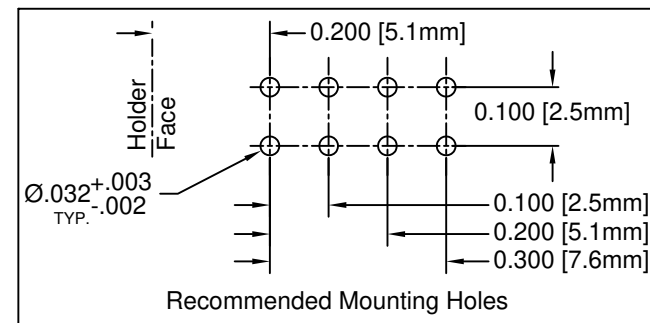
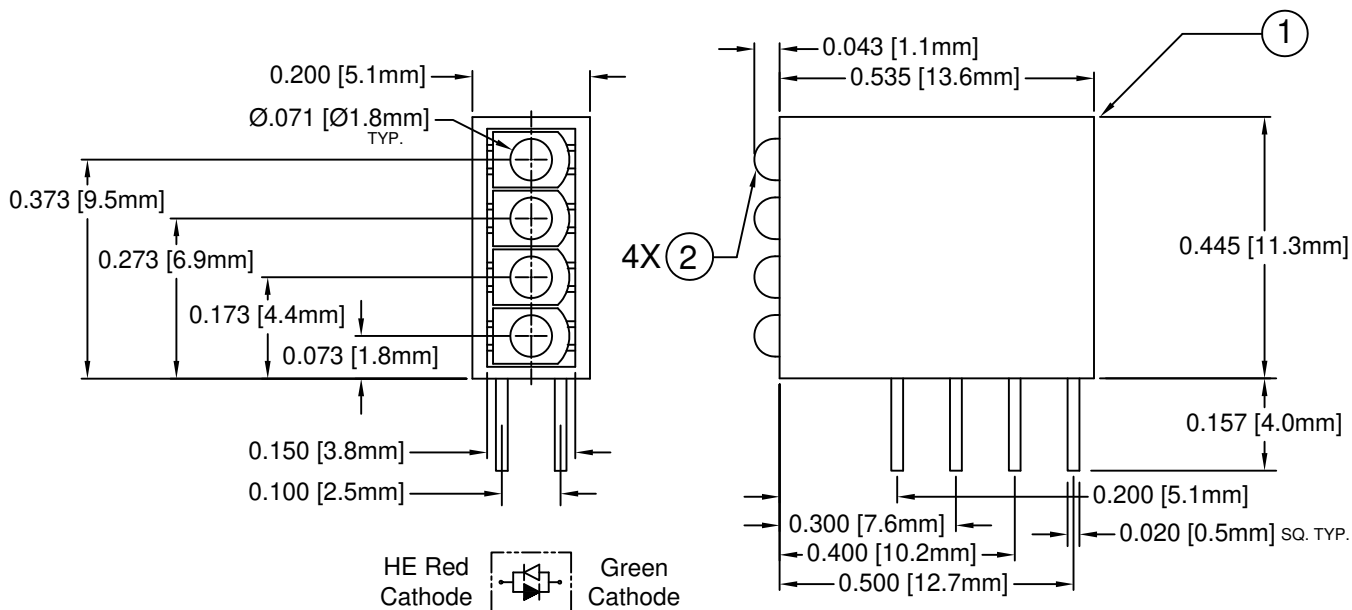


ITEM	Q'TY	PART NUMBER	PART DESCRIPTION
1	1	H-485C	Quad-Level 90° LED Holder
2	4	1.8BC	1.8 Sub-Miniature Radial LED

REV.	DESCRIPTION	DATE	APPROVED
A	Engineering Release	12/03/07	M. C.
B	Updated LEDs Orientation	01/31/08	M. C.
C	Engineering Update w/o Changes	08/05/16	J. C.



LED Part No.	Chip			Lens Appearance	Absolute Max. Ratings				Electro-Optical Data @ 20mA			Viewing Angle 2 $\theta_{1/2}$ (Deg)
	Material	Peak Wave Length λ_p (nm)	Emitted Color		$\Delta\lambda$ (nm)	Pd (mW)	If (mA)	Peak If (mA)	Vf (V)		Iv (mcd)	
									TYP	MAX	TYP	
1.8BC	GaAsP/GaP	635	HE RED	WHITE DIFFUSED	45	80	30	150	2.0	2.6	4.2	45
	GaP/GaP	568	GREEN		30	80	30	150	2.2	2.6	6.5	

ABSOLUTE MAXIMUM RATINGS (Ta = 25°C)

REVERSE VOLTAGE _____ 5V
 REVERSE CURRENT (VR=5V) _____ 100 μ A
 OPERATING TEMPERATURE RANGE _____ -25°C ~ 85°C
 STORAGE TEMPERATURE _____ -30°C ~ 100°C
 LEAD SOLDERING TEMPERATURE (1/16" FROM BODY) _____ 260°C for 5 Seconds

STANDARD TOLERANCE (UNLESS OTHERWISE SPECIFIED)		BIVAR®	
DECIMALS	ANGULAR	4 THOMAS, IRVINE, CA. 92618	
.X \pm .1	X° \pm 1°	TEL: (949) 951-8808 FAX: (949) 951-3974	
.XX \pm .02		TITLE: 1.8mm QUAD-LEVEL 90° LED ASSY, REVERSE POLARITY	
.XXX \pm .010		PART NO: H485CBC-RP REVISION: C	
DESIGNED: T. Yin	DATE: 12/03/07	CAGE CODE : 32559 SHEET # 1 OF 1	
CHECKED: M. Chen	DATE: 12/03/07	CAD GENERATED DOCUMENT. DO NOT MEASURE DRAWING.	