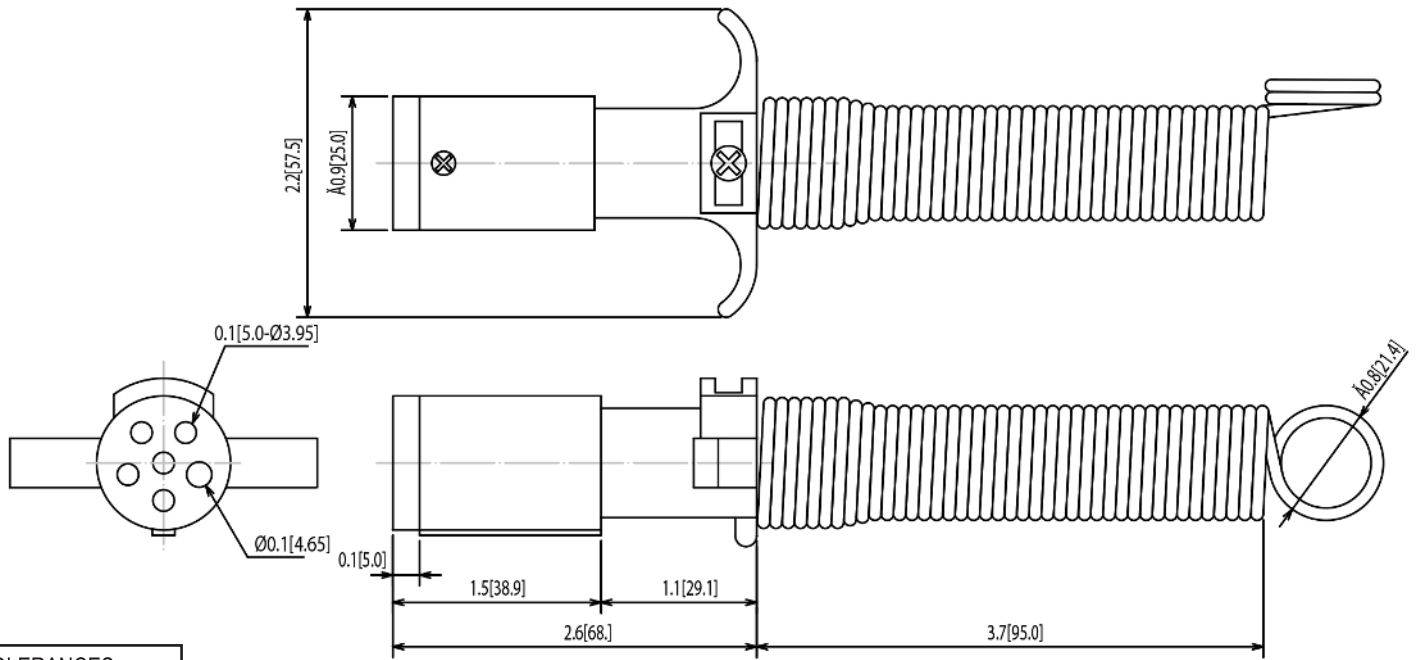


Mechanical Dimensions: Inches [mm]

Tolerances ± 0.012 [0.3] Unless Otherwise Specified



TOLERANCES:
 1mm~5mm: ± 0.1
 6mm~20mm: ± 0.2
 21mm~50mm: ± 0.3
 51mm~100mm: ± 0.5
ANGLES: $\pm 1^\circ$

Wiring Color Codes

S.A.E WIRING CODES RECOMMENDED STANDARD		
CIRCUITS	POLE WIRING COLOR CODE	
Ground Return	White	
Tail Lights	Brown	
Left Turn	Yellow	
Stop	Red	
Right Turn	Green	
Auxiliary Circuit	Blue	

Material Specifications

Zinc Die Cast

Rev	Date of issue	Revision Notes	Designed	Approved
A	07-16-2019	Initial Drawing	RC	OH