

NORTH STAR™

LED Round UFO High Bay



Beyond LED's NorthStar LED Round UFO High Bay Light is one of the most feature rich products of 2022. This product is designed to maximize light output with efficacy up to 138 Lumens per Watt. NorthStar is built to last with standard 6KV surge protection, 45°C ambient temperature rating, and IP65 rating for elimination of dust, moisture, and airborne contaminants. The NorthStar High Bay can be integrated with feedback control systems. The unique easy connect driver to optical assembly interface allows quick and easy maintenance for applications including warehousing, gymnasiums, manufacturing, and outdoor canopies.

NORTH STAR™

LED Round UFO High Bay

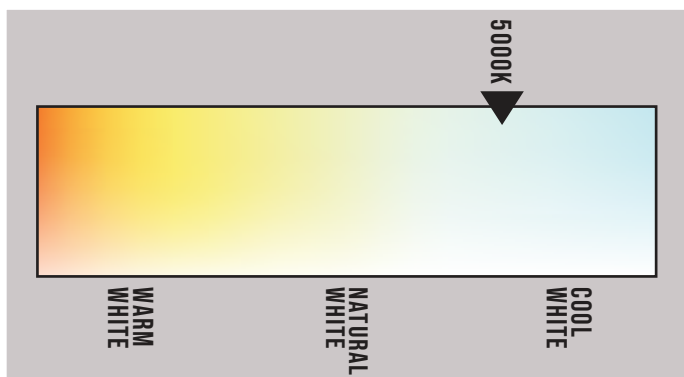


Product Features

- Operating temperature: -40°C to 50°C
- Up to 138 Lumens per Watt efficacy
- 0-10V Dimming capability
- Plug and play motion sensor
- Several optional mounting options
- Integral LED driver, eliminates the need for an external driver or ballast
- Complies with UL safety regulations and is DLC listed
- This product is IP65 rated, therefore, it is suited for both indoor and outdoor applications
- Spotless soft light without shadow
- Optional Emergency backup
- Lumileds or Samsung chip with high CRI
- Universal 120-277Vac / 480Vac optional
- No UV or IR in the beam
- Environment friendly with no mercury
- Easy to install and operate, with instant and no humming
- Energy saving with long lifespan

SKU #	Model #	Watt	Lumens	CCT	Housing	Input Voltage	Dimming	Certifications
153500	BLT-HB11-150WH2BT2A1-WH50	150W	20893Lm	5000K	White	120V-277V	0-10V	UL & DLC
153501	BLT-HB11-240WH2BT2A1-WH50	240W	33747Lm	5000K	White	120V-277V	0-10V	UL & DLC
153581	BLT-HB11-240WS1BT2H1-WH50	240W	33999Lm	5000K	White	277V-480V	0-10V	UL & DLC
151885	U Bracket							
151886	U Bracket							
152598	Optional Motion Sensor							
152613	Optional Motion Remote							

Correlated Color Temperature (CCT)



NORTH STAR™

LED Round UFO High Bay

SKU Number 153500

Specifications

Parameter	Description	Value
General Performance	Model #	BLT-HB11-150WH2BT2A1-WH50
	Wattage	150W
	Lumen	20893LM
	Lumen Efficacy	Up to 138.4LM/W
	Color Temperature	5000K
	CRI (Ra)	>80
	Beam Angle	90° Degree
	Diffuser Type	PC Lens
Electrical	Input Voltage	120-277Vac
	Frequency	50/60Hz
	Dimming	0-10V
	Power Factor	≥0.9
	THD (Tolerance)	≤20%
	Driver Surge Protection	L/N-PE: 6kV, L-N: 4kV
	Flicker Percent	<5%
Physical	Operating Temperature	-40°C To 50°C (Without Sensor)
	Operating Temperature	-30°C To 50°C (With Sensor)
	Operating Humidity	20%-90%RH
	Storage Temperature	-40°C To 80°C
	Storage Humidity	10% - 95% RH
	LED Brand	Lumileds
	LED Type	SMD 2835
	LED QTY	440PCS
	Housing	Die-Cast Aluminium
	Housing Color	White
Qualification	IP Rating	WET (IP65)
	Warranty	5 years warranty with 24/7 operating hours Luminaire lifetime at 25°C

NORTH STAR™

LED Round UFO High Bay



SKU Number 153501

Specifications

Parameter	Description	Value
General Performance	Model #	BLT-HB11-240WH2BT2A1-WH50
	Wattage	240W
	Lumen	33747LM
	Lumen Efficacy	Up to 139.8LM/W
	Color Temperature	5000K
	CRI (Ra)	>80
	Beam Angle	90° Degree
	Diffuser Type	PC Lens
Electrical	Input Voltage	100-277Vac
	Frequency	50/60Hz
	Dimming	0-10V
	Power Factor	≥0.9
	THD (Tolerance)	≤20%
	Driver Surge Protection	L/N-PE: 6kV, L-N: 4kV
	Flicker Percent	<5%
Physical	Operating Temperature	-40°C To 50°C (Without Sensor)
	Operating Temperature	-30°C To 50°C (With Sensor)
	Operating Humidity	20%-90%RH
	Storage Temperature	-40°C To 80°C
	Storage Humidity	10% - 95% RH
	LED Brand	Lumileds
	LED Type	SMD 2835
	LED QTY	720 PCS
	Housing	Die-Cast Aluminium
Housing Color	White	
Qualification	IP Rating	WET (IP65)
	Warranty	5 years warranty with 24/7 operating hours Luminaire lifetime at 25oC

LED UFO HIGH BAY

NORTH STAR™

LED Round UFO High Bay

SKU Number 153581

Specifications

Parameter	Description	Value
General Performance	Model #	BLT-HB11-240WS1BT2H1-WH50
	Wattage	240W
	Lumen	33999LM
	Lumen Efficacy	Up to 140.78LM/W
	Color Temperature	5000K
	CRI (Ra)	>80
	Beam Angle	90° Degree
	Diffuser Type	PC Lens
Electrical	Input Voltage	100-277Vac
	Frequency	50/60Hz
	Dimming	0-10V
	Power Factor	≥0.9
	THD (Tolerance)	≤20%
	Driver Surge Protection	L/N-PE: 6kV, L-N: 4kV
	Flicker Percent	<5%
Physical	Operating Temperature	-40°C To 50°C (Without Sensor)
	Operating Temperature	-30°C To 50°C (With Sensor)
	Operating Humidity	20%-90%RH
	Storage Temperature	-40°C To 80°C
	Storage Humidity	10% - 95% RH
	LED Brand	Lumileds
	LED Type	SMD 2835
	LED QTY	720 PCS
	Housing	Die-Cast Aluminium
	Housing Color	White
Qualification	IP Rating	WET (IP65)
	Warranty	5 years warranty with 24/7 operating hours Luminaire lifetime at 25°C

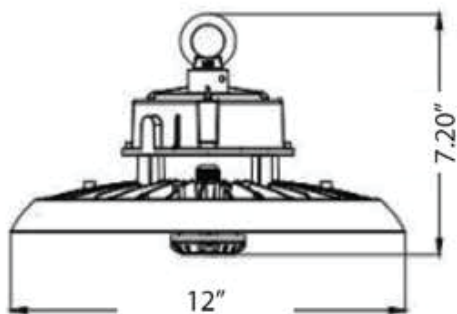
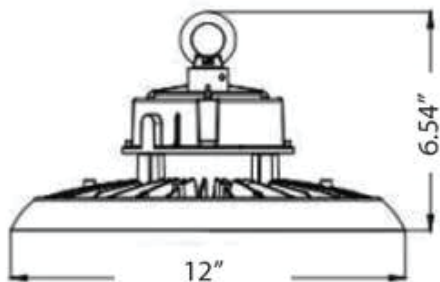
NORTH STAR™

LED Round UFO High Bay

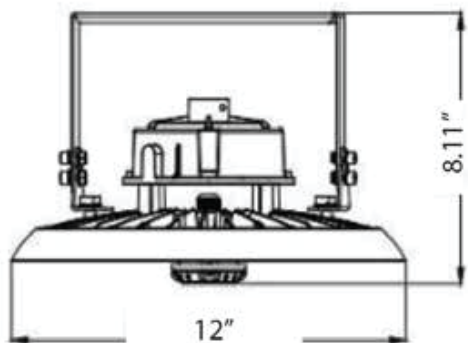
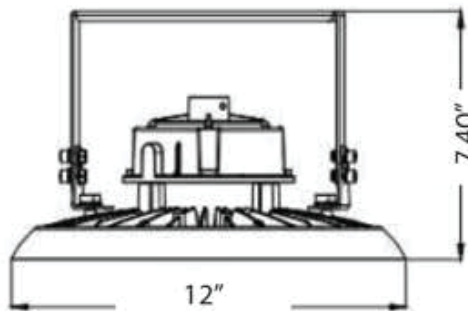


Dimensions 150W

Pendent

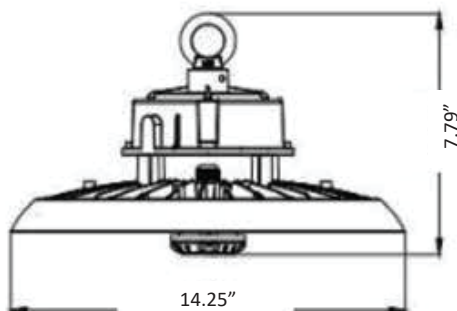
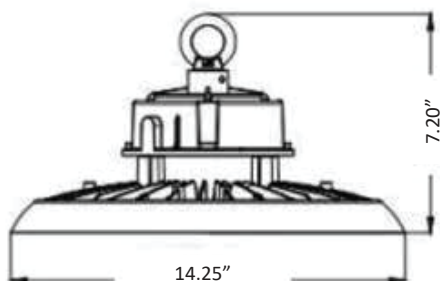


Surface

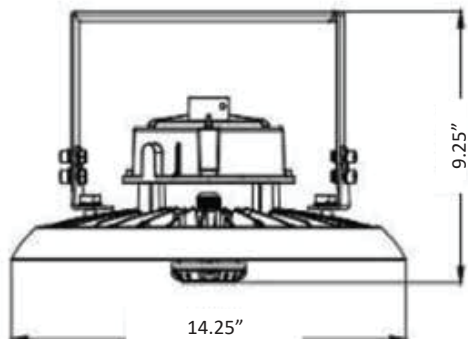
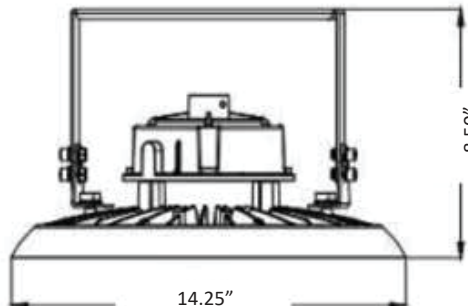


Dimensions 240W

Pendent



Surface



LED UFO HIGH BAY



NORTH STAR™

LED Round UFO High Bay

Photometric Data for SKU Number 153500

Luminous Intensity Distribution Curve

Illuminance at a Distance

Luminaire Property

Luminaire Manufacturer:
 Luminaire Category:
 Lamp Catalog:
 Number of Lamps:
 Luminous Length (mm):
 Luminous Height (mm):
 Current: 1.265 A
 Power Factor: 0.994

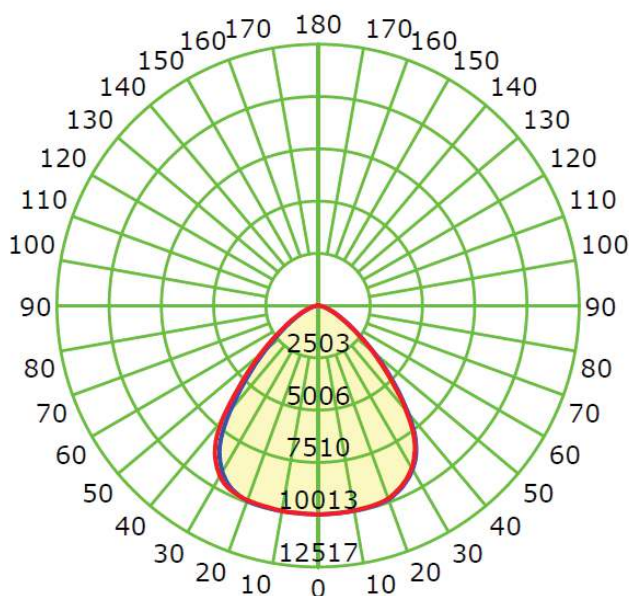
Luminaire Description:
 Lamp Description:
 Lumens per Lamp:
 Luminous Width (mm):
 Voltage: 120.0 V
 Power: 150.89 W

Photometric Results

CIE Class: Direct
 Measurement Flux: 20881.1 lm
 Downward Ratio: 99%
 Field Angle(C0/C180,C90/C270,C45/C225,C135/315): 129.1, 129.5, 129.6, 129.9
 Beam Angle(C0/C180,C90/C270,C45/C225,C135/315): 89.3, 90.0, 89.7, 89.6
 Luminaire Efficacy Rating (LER): 138.44
 Max. Intensity: 10013.7 cd
 S/MH(C0/C180): 1.32

Total Rated Lamp Lumens: 20881.1 lm
 Efficiency: 100%
 Upward Ratio: 1%
 C0r0 Intensity: 9996.55 cd
 Pos of Max. Intensity: H67.5 V2
 S/MH(C90/C270): 1.33

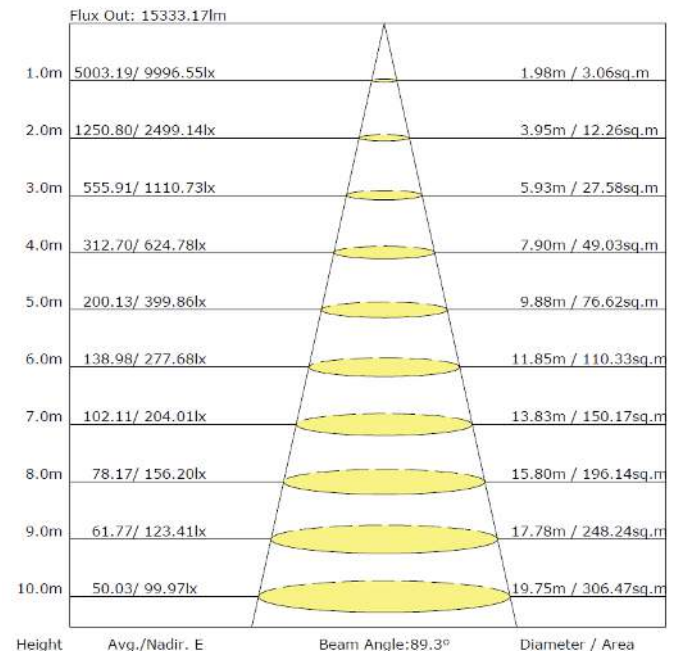
Luminous Intensity Distribution Curve



Average Diffuse Angle(50%): 89.7°

— C0-C180 — C90-C270

The Average Illuminance Effective Figure



NORTH STAR™

LED Round UFO High Bay



Photometric Data for SKU Number 153501

Luminous Intensity Distribution Curve

Illuminance at a Distance

Luminaire Property

Luminaire Manufacturer:
 Luminaire Category:
 Lamp Catalog:
 Number of Lamps:
 Luminous Length (mm):
 Luminous Height (mm):
 Current: 0.937 A
 Power Factor: 0.926

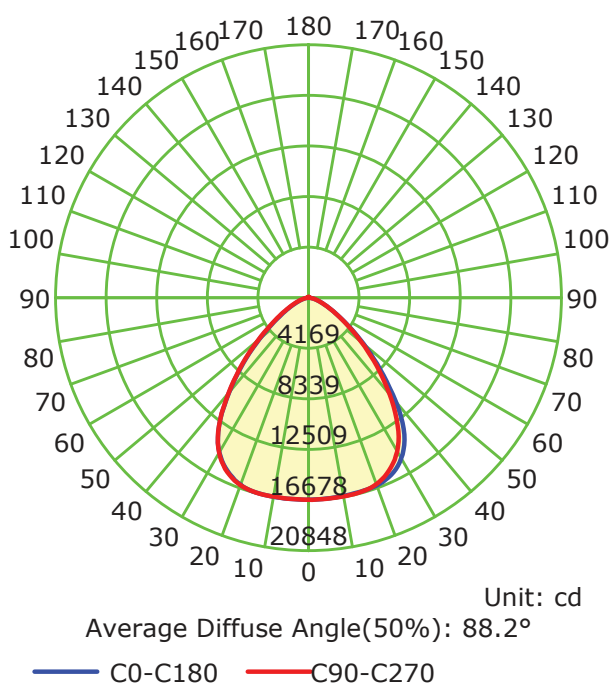
Luminaire Description:
 Lamp Description:
 Lumens per Lamp:
 Luminous Width (mm):
 Voltage: 277.0 V
 Power: 240.46 W

Photometric Results

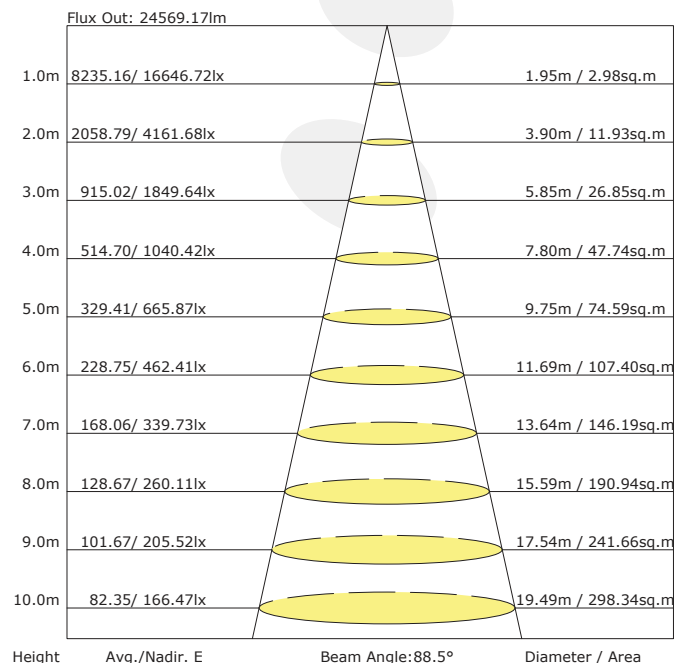
CIE Class: Direct
 Measurement Flux: 33732.5 lm
 Downward Ratio: 99%
 Field Angle(C0/C180,C90/C270,C45/C225,C135/315): 128.4, 129.4, 128.6, 129.3
 Beam Angle(C0/C180,C90/C270,C45/C225,C135/315): 88.5, 88.0, 87.7, 87.8
 Luminaire Efficacy Rating (LER): 140.33
 Max. Intensity: 16678.67 cd
 S/MH(C0/C180): 1.30

Total Rated Lamp Lumens: 33732.5 lm
 Efficiency: 100%
 Upward Ratio: 1%
 C0r0 Intensity: 16646.72 cd
 Pos of Max. Intensity: H202.5 V11
 S/MH(C90/C270): 1.27

Luminous Intensity Distribution Curve



The Average Illuminance Effective Figure



LED UFO HIGH BAY



NORTH STAR™

LED Round UFO High Bay

Photometric Data for SKU Number 153581

Luminous Intensity Distribution Curve

Illuminance at a Distance

Luminaire Property

Luminaire Manufacturer:
 Luminaire Category:
 Lamp Catalog:
 Number of Lamps:
 Luminous Length (mm):
 Luminous Height (mm):
 Current: 0.874 A
 Power Factor: 0.997

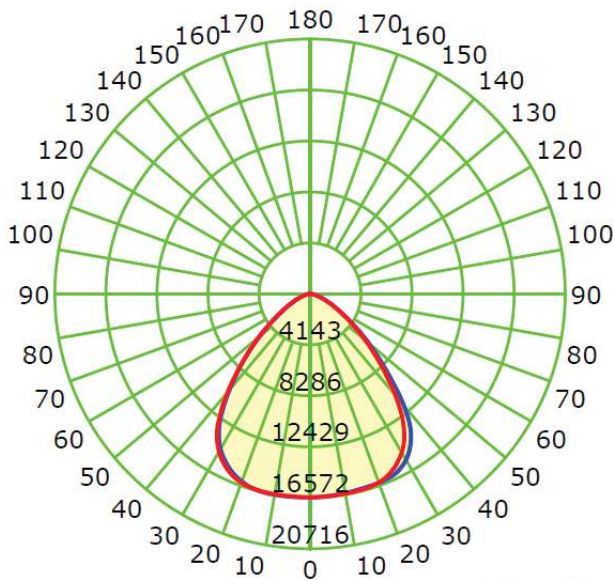
Luminaire Description:
 Lamp Description:
 Lumens per Lamp:
 Luminous Width (mm):
 Voltage: 277.0 V
 Power: 241.26 W

Photometric Results

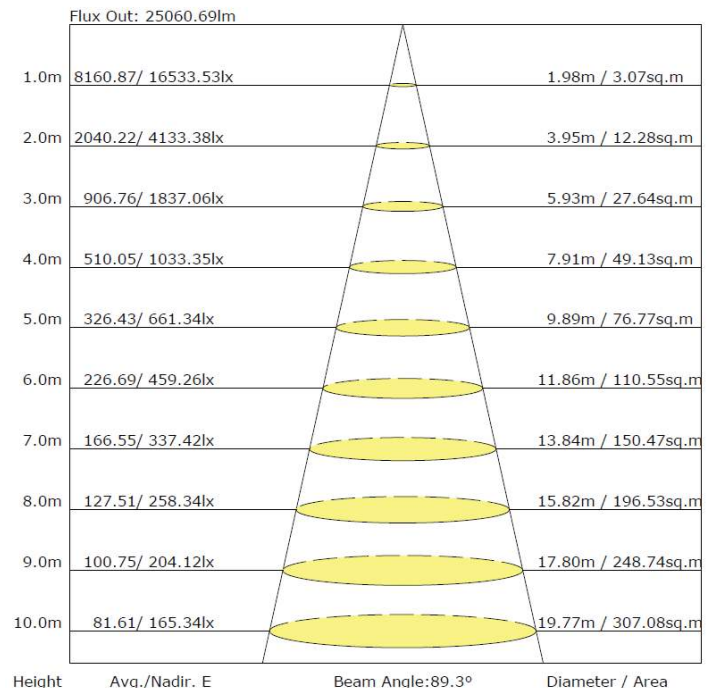
CIE Class: Direct
 Measurement Flux: 34051.7 lm
 Downward Ratio: 100%
 Field Angle(C0/C180,C90/C270,C45/C225,C135/315): 129.2, 129.6, 129.9, 127.3
 Beam Angle(C0/C180,C90/C270,C45/C225,C135/315): 89.3, 88.7, 89.6, 88.8
 Luminaire Efficacy Rating (LER): 141.19
 Max. Intensity: 16572.98 cd
 S/MH(C0/C180): 1.31

Total Rated Lamp Lumens: 34051.7 lm
 Efficiency: 100%
 Upward Ratio: 0%
 C0r0 Intensity: 16533.53 cd
 Pos of Max. Intensity: H180 V12
 S/MH(C90/C270): 1.30

Luminous Intensity Distribution Curve



The Average Illuminance Effective Figure



NORTH STAR™

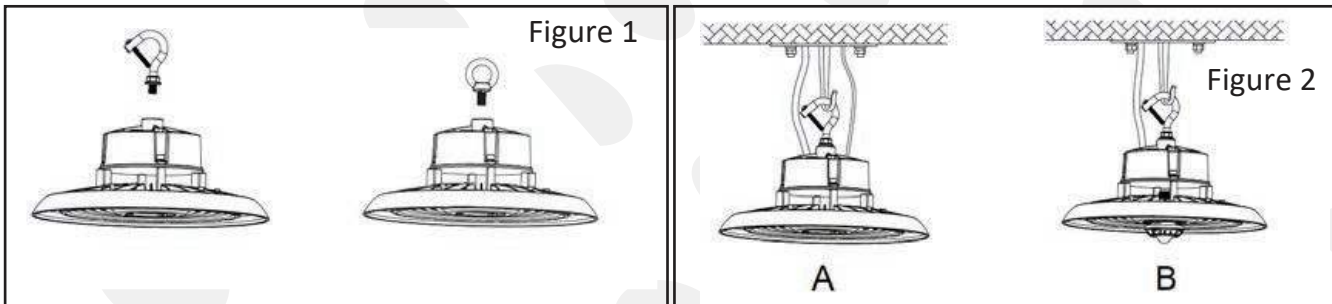
LED Round UFO High Bay



Installation Instructions

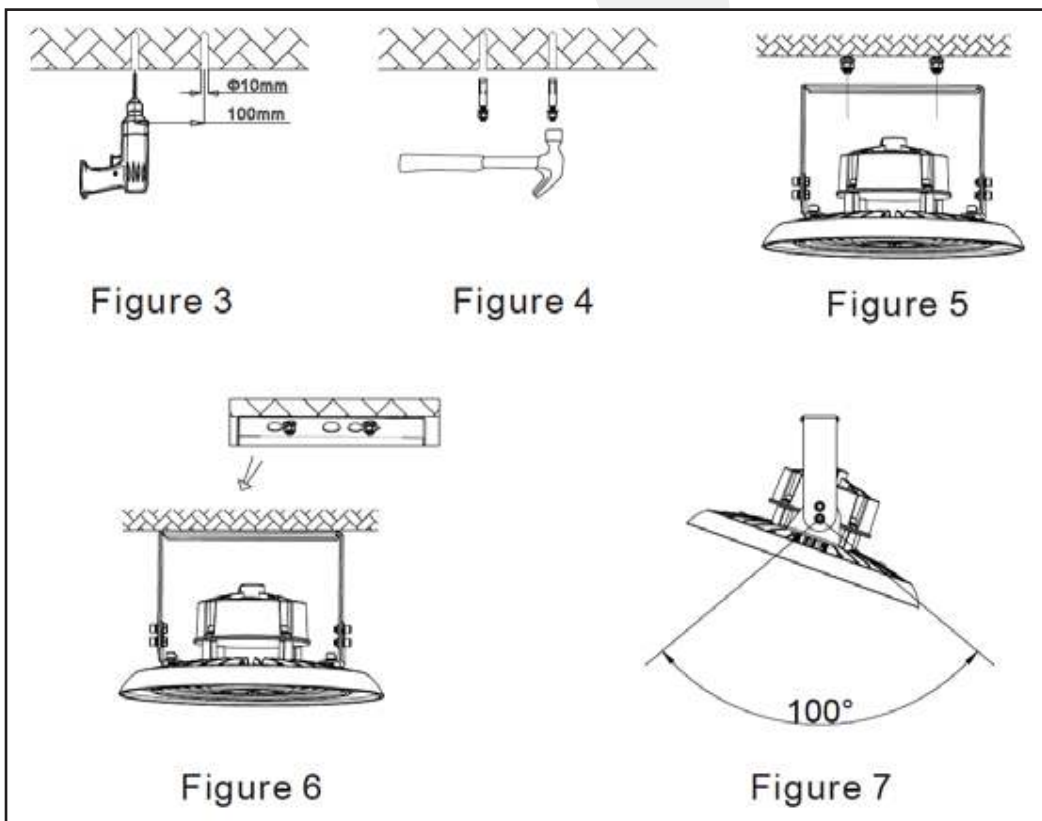
Hook Mount

1. Screw the hook into the fixture, tighten and fix it, (figure 1) 2. Hang the fixture on the ceiling hook or chain, (figure 2) 3. After installation, connect the wire of the fixture to the mains according to local wiring rules, ensure the connection is stable and protected on the connection.



Ceiling Mount

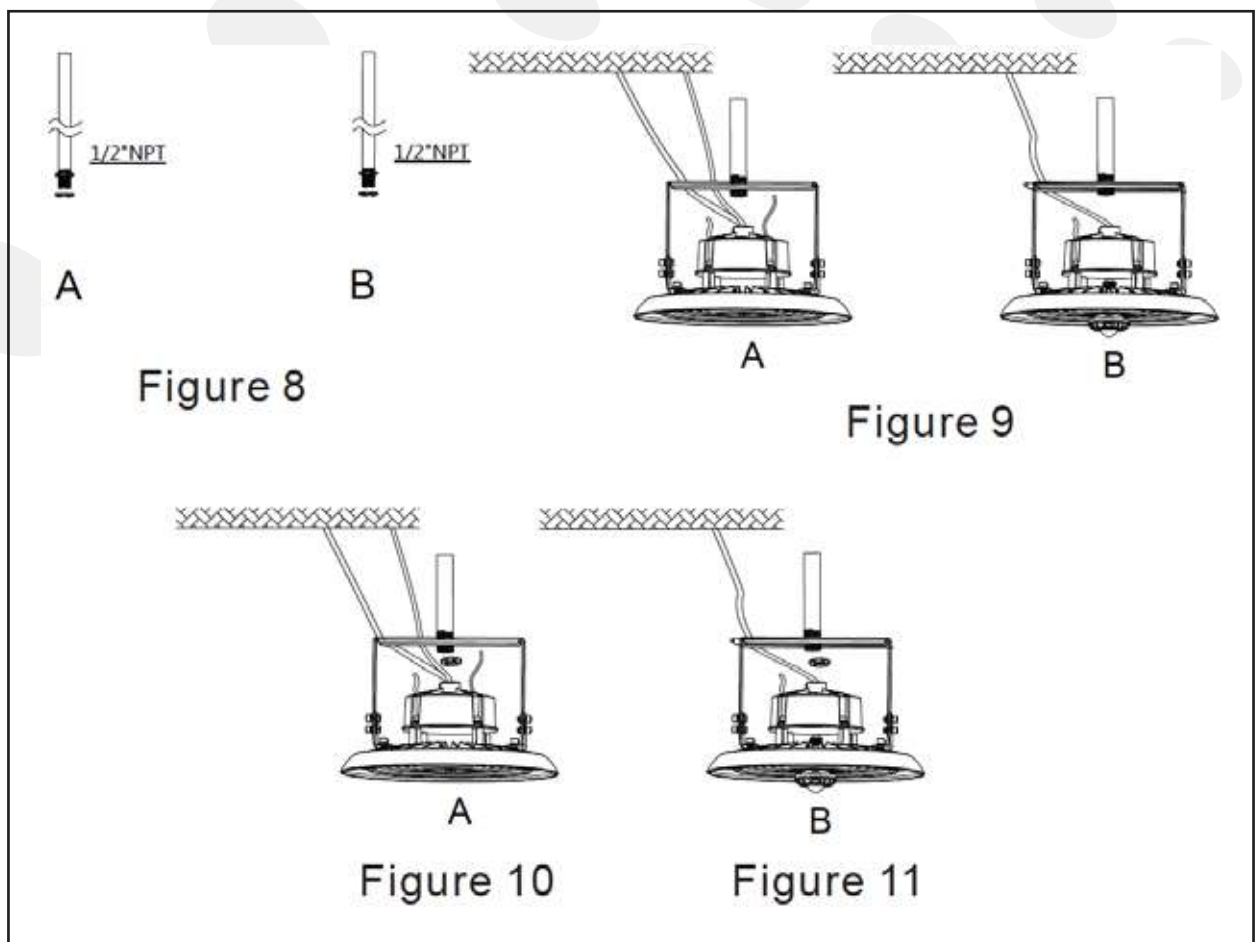
1. Mark with a marker pen or sharpie tool on the mounting surface and drill. (figure 3) 2. Fix screws into the holes with a hammer, (figure 4) 3. Align the bracket hole with screw hole (figure 5), and push the fixture to one side (figure 6) and fix it 4. After installation, connect the wire of the fixture to the mains according to local wiring rules, ensure the connection is stable and protected on the connection. By adjusting the brackets screws, users can adjust 50° to the left or right vertically. (figure 7)



Installation Instructions

U Bracket Mount

1. Unscrew the nuts on 1/2" NPT. (figure 8) 2. Insert 1/2" NPT stem into the bracket hole. (figure 9) 3. Re-screw the nuts. (figure 10) 4. After installation, connect the wire of the fixture to the mains according to local wiring rules, ensure the connection is stable and make good protection on the connection, By adjusting the brackets screws, users can adjust 50° to the left or right vertically. (figure 11)



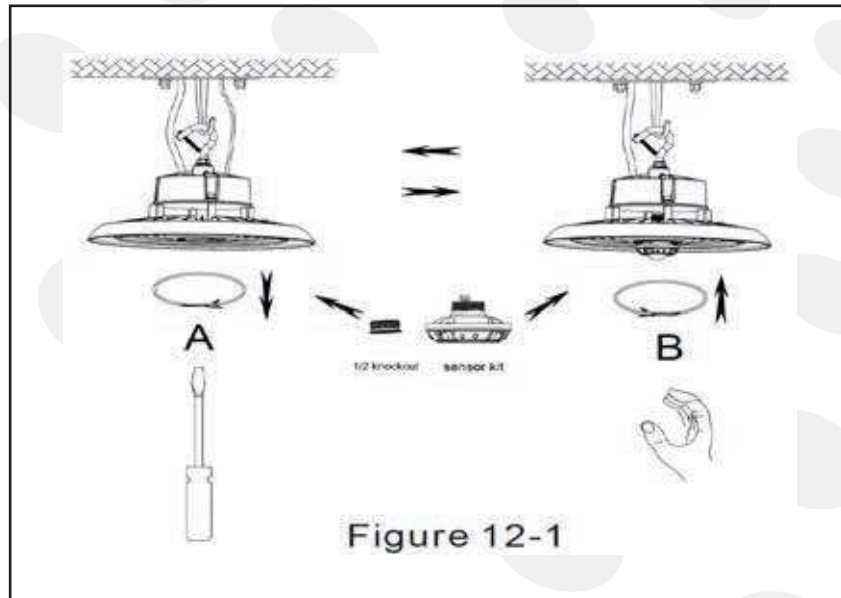
NORTH STAR™

LED Round UFO High Bay

Installation Instructions

Motion Sensor

The fixture has integrated function 3 Power selectable. The setting could be customized. Operation: Take away the water-proof gasket, adjust dip switch to choose Power as per sign. The original setting could be either factory default or customized request{Figure 12-1



Caution

1. Can not use the electric generator to test the LED light .
2. Please abide by related country, regional and local law and regulations when installing this fixture.
3. Please turn off the power before installation or maintenance.
4. Proper grounding is required to ensure safety.

Notice

1. To avoid possibility of electrical shock or fire, the installation personnel must have professional electric knowledge.
2. Please wear gloves to avoid injury before installation.
3. If there is any smoke or spark, please turn off the power immediately and consult a qualified electrician.
4. Please use listed water proof strain relief bushing when connection the supply cord to the outlet box.

NORTH STAR™

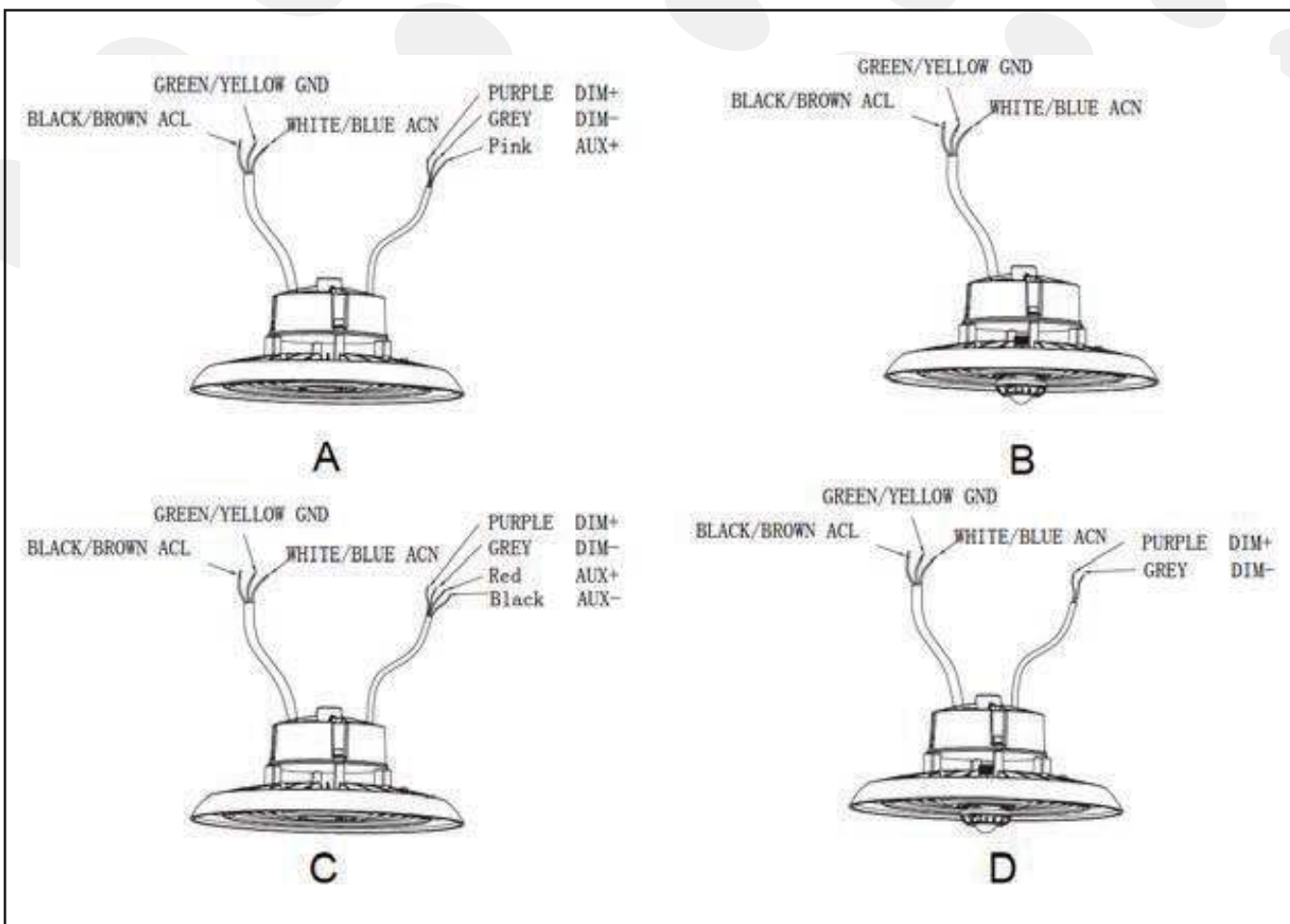
LED Round UFO High Bay



Wiring Diagram & Instructions

This LED highbay light can be equipped with optional DC motion sensor, and is available with 1-10V dimming function with following 3 dimming solutions:

1. 1-10V dimming,
2. Intelligent dimming with DC motion sensor,
3. Pre-install tool-free handling DC motion sensor dimming module, and chones dimming module, and choose dimming function freely,



NORTH STAR™

LED Round UFO High Bay

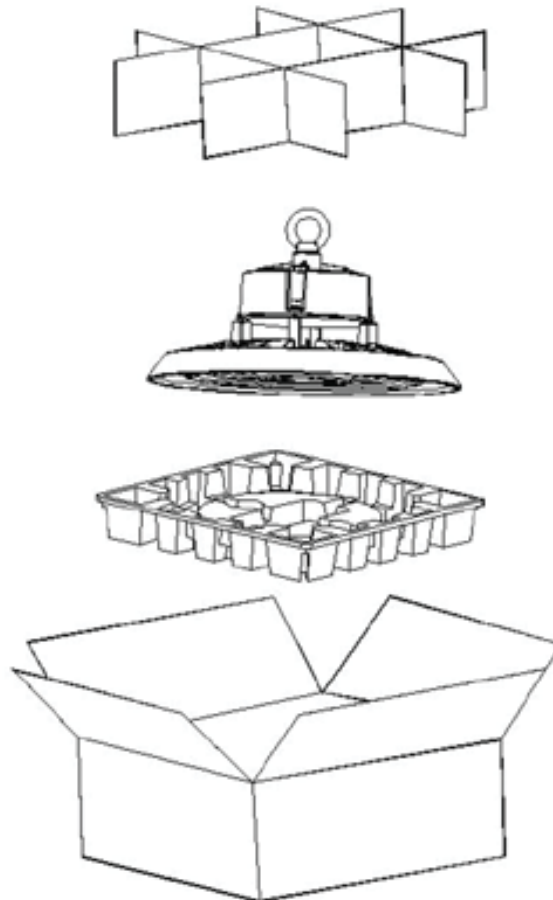
Packaging Info for SKU # 153500

Bracket Type	Carton Size	Qty/Box	N.W/Box	G.W/Box
Hook Mount	14.17 X 14.17 X 6.49 in	1PC	5.51 lbs	7.28 lbs
Ceiling Mount	14.17 X 14.17 X 6.49in	1PC	6.40 lbs	8.16 lbs

Packaging Info for SKU # 153501 & 153581

Bracket Type	Carton Size	Qty/Box	N.W/Box	G.W/Box
Hook Mount	16.54 X 16.54 X 6.88 in	1PC	7.94 lbs	10.36 lbs
Ceiling Mount	16.54 X 16.54 X 6.88 in	1PC	9.92 lbs	12.35 lbs

Tolerance of Carton Size: ± 15 MM, Tolerance of Weight: $\pm 10\%$



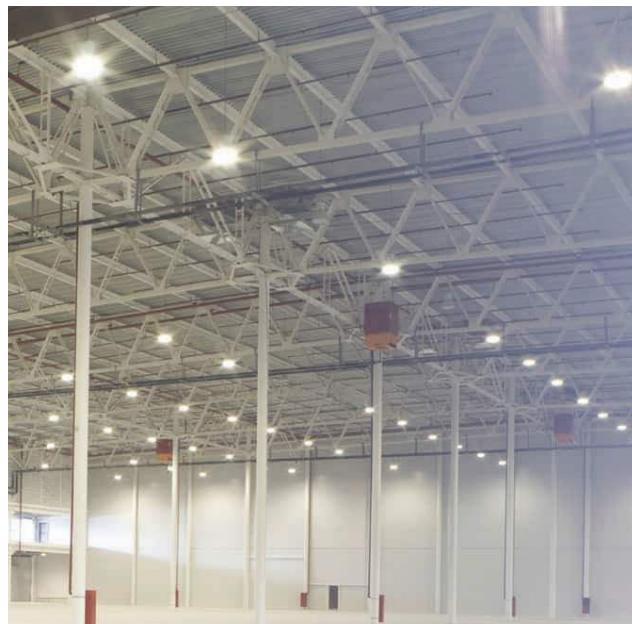
NORTH STAR™

LED Round UFO High Bay



Application

Warehouse, factory and workshops; Highway toll station and gas station; Exhibition Hall; Gymnasium and supermarkets, etc.



LED UFO HIGH BAY