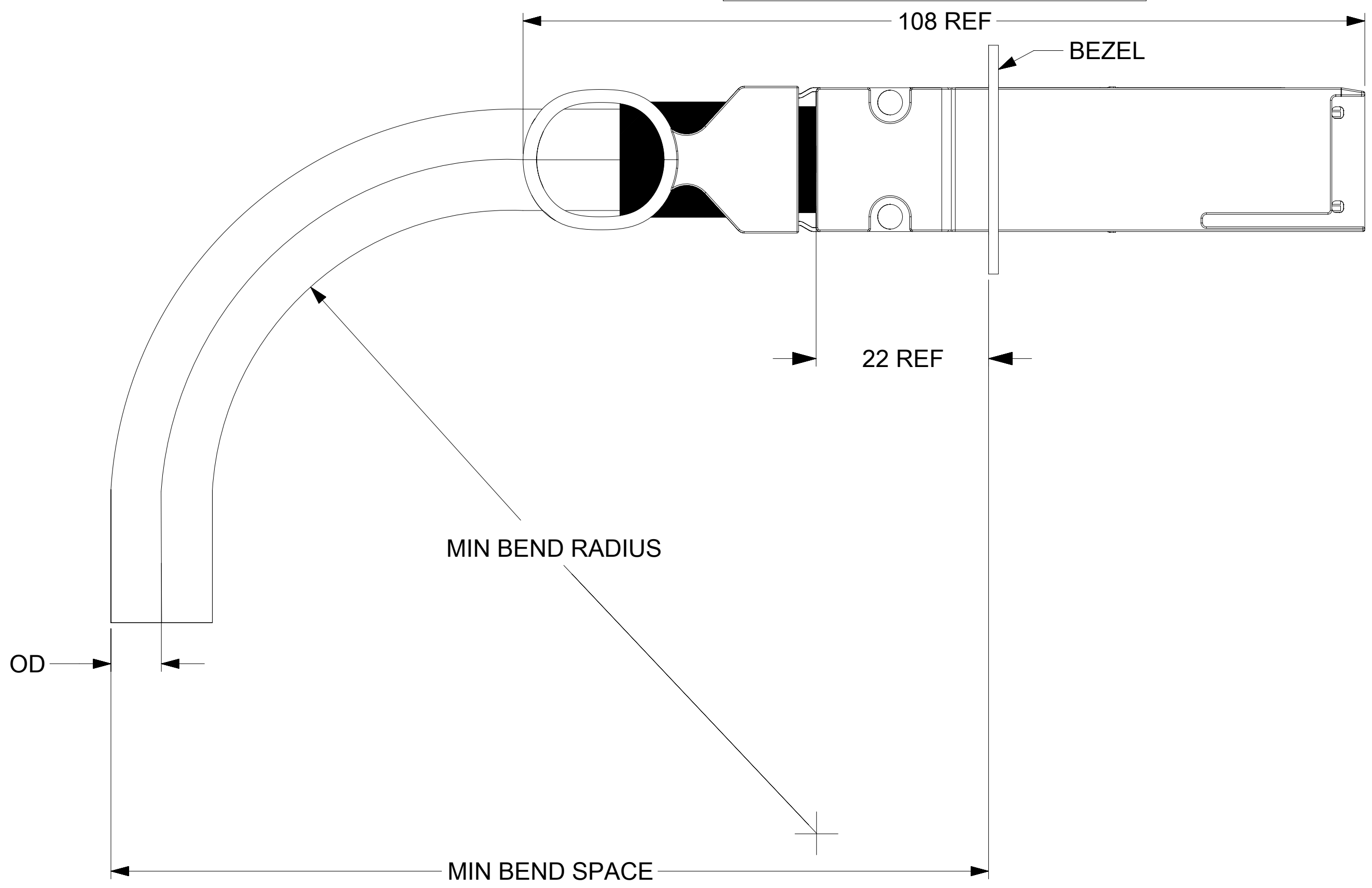


- NOTES:
- CABLE LENGTH DEPENDS ON WIRE GAUGE, DATA RATE, AND HOST BOARD DRIVER CAPABILITIES
 - MATERIALS:
 - BACKSHELLS - ZINC DIE CAST WITH BRIGHT NICKEL PLATING
 - DELATCH - STAINLESS STEEL WITH OVERMOLDED NYLON
 - PCB - HALOGEN FREE
 - RAW CABLE JACKET- PVC
 - RIVETS - STAINLESS STEEL
 - IMPEDANCE - 100 OHMS DIFFERENTIAL
 - 'P1' LABEL REQUIRED ON zQ END, 'P2' & 'P3' LABELS REQUIRED ON BOTH 2zQ ENDS
 - RoHS COMPLIANT, NO EXEMPTIONS
 - ALL PART NUMBERS MAY USE TEMPFLEX OR BELDEN CABLE

| | | | | | | | | | |
|---|--|-------------------------|--|---|--|--------|--|-----------------|--|
| THIS DRAWING CONTAINS INFORMATION THAT IS PROPRIETARY TO MOLEX ELECTRONIC TECHNOLOGIES, LLC AND SHOULD NOT BE USED WITHOUT WRITTEN PERMISSION | | | | | | | | | |
| DIMENSION UNITS | | SCALE | | CURRENT REV DESC: REMOVED OBSOLETE PART NUMBER AS PER PCN#512658. | | | | | |
| mm | | 2:1 | | molex ZQSFP+ TO 2X ZQSFP+ BREAKOUT CABLE ASSEMBLY PRODUCT CUSTOMER DRAWING | | | | | |
| GENERAL TOLERANCES (UNLESS SPECIFIED) | | | | | | | | | |
| ANGULAR TOL ± 1.0° | | | | | | | | | |
| 4 PLACES ± | | EC NO: 722794 | | | | | | | |
| 3 PLACES ± | | DRWN: SANTHN 2022/10/07 | | | | | | | |
| 2 PLACES ± 0.13 | | CHK'D: GGA 2022/10/12 | | | | | | | |
| 1 PLACE ± 0.25 | | APPR: GGA 2022/10/12 | | | | | | | |
| 0 PLACES ± | | INITIAL REVISION: | | | | | | | |
| DRAFT WHERE APPLICABLE MUST REMAIN WITHIN DIMENSIONS | | THIRD ANGLE PROJECTION | | DRAWING | | SERIES | | MATERIAL NUMBER | |
| | | DUST COVER | | D-SIZE | | 100346 | | 1003461051 | |
| | | | | | | | | PSD 001 M1 | |
| | | | | | | | | SEE PN TABLE | |
| | | | | | | | | GENERAL MARKET | |
| | | | | | | | | SHEET NUMBER | |
| | | | | | | | | 1 OF 3 | |

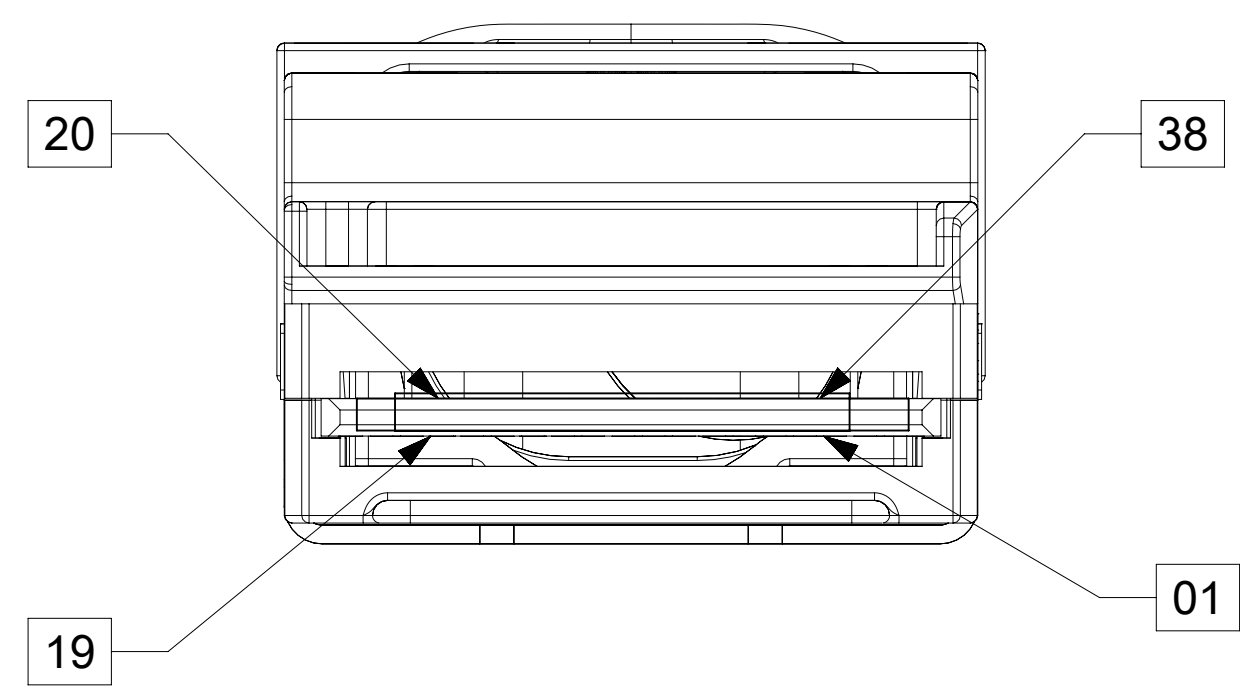
| | | | | |
|-----------------|----|--------------|------------|----------|
| DOCUMENT STATUS | P1 | RELEASE DATE | 2022/10/12 | 10:21:53 |
|-----------------|----|--------------|------------|----------|

CABLE BEND RADIUS



| CABLE AWG | OD (mm) | MINIMUM BEND RADIUS (mm) | MINIMUM BEND SPACE (mm) |
|-----------|---------|--------------------------|-------------------------|
| 30 | 5.89 | 28 | 61 |
| 28 | 6.1 | 30 | 64 |
| 26 | 7.62 | 38 | 75 |

PINOUT



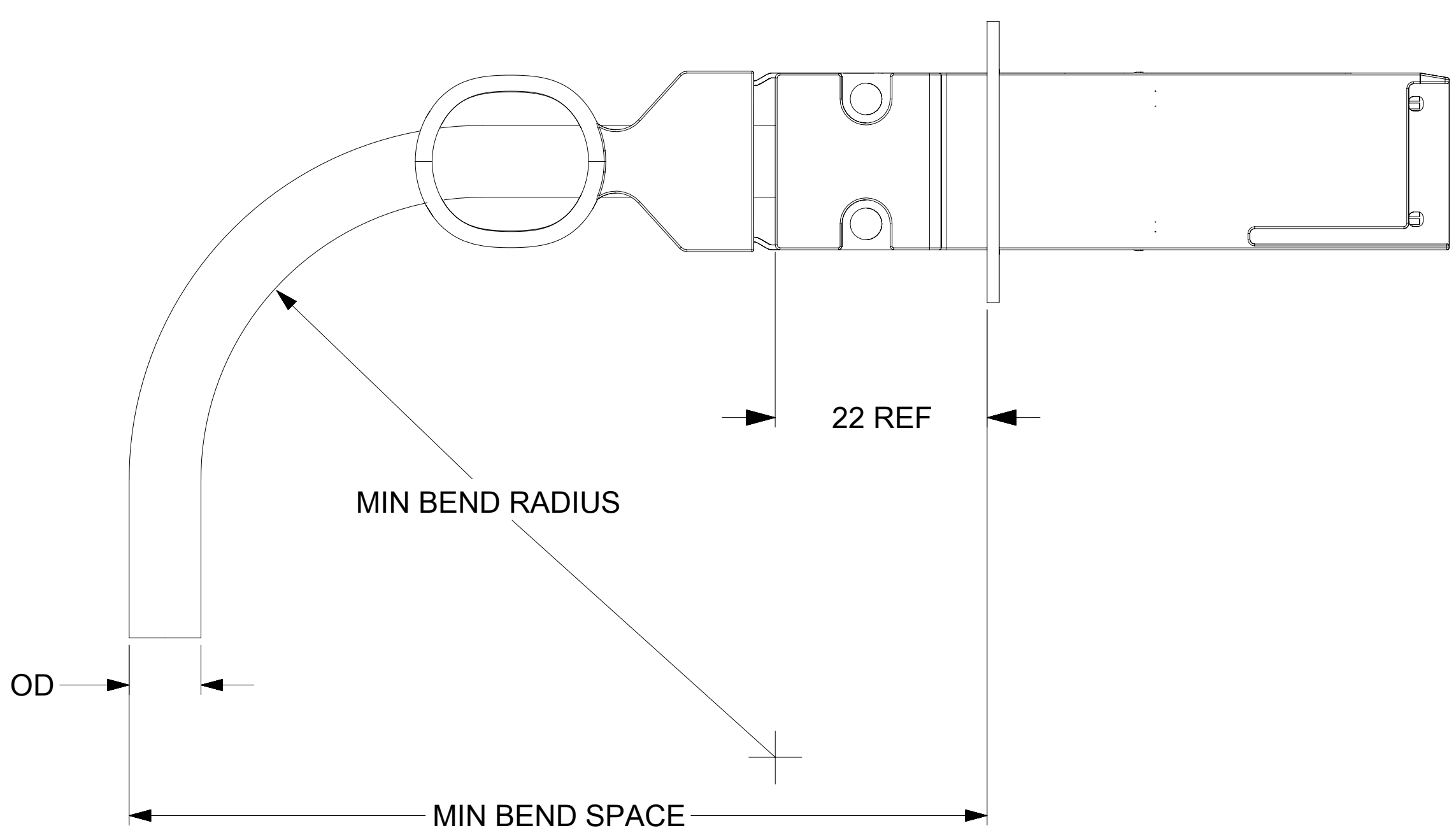
LOW SPEED SIGNALS P1, P2 & P3

| PAD | SIGNAL |
|-----|---------|
| 08 | ModSelL |
| 09 | ResetL |
| 10 | VccRx |
| 11 | SCL |
| 12 | SDA |
| 27 | ModPrsL |
| 28 | IntL |
| 29 | VccTx |
| 30 | Vcc1 |
| 31 | LPMODE |

WIRING DIAGRAM

| QSFP P1 | | QSFP | | |
|---------|--------|--------|-----|------|
| PAD | SIGNAL | SIGNAL | PAD | PLUG |
| 38 | GND | GND | 19 | P2 |
| 37 | TX1- | Rx1- | 18 | |
| 36 | TX1+ | Rx1+ | 17 | |
| 35 | GND | GND | 16 | |
| 19 | GND | GND | 38 | |
| 17 | RX1+ | Tx1+ | 36 | |
| 18 | RX1- | Tx1- | 37 | |
| 16 | GND | GND | 35 | |
| 01 | GND | GND | 20 | |
| 02 | TX2- | Rx2- | 21 | |
| 03 | TX2+ | Rx2+ | 22 | |
| 04 | GND | GND | 23 | |
| 20 | GND | GND | 01 | P3 |
| 22 | RX2+ | Tx2+ | 03 | |
| 21 | RX2- | Tx2- | 02 | |
| 23 | GND | GND | 04 | |
| 35 | GND | GND | 19 | |
| 34 | TX3- | Rx1- | 18 | |
| 33 | TX3+ | Rx1+ | 17 | |
| 32 | GND | GND | 16 | |
| 16 | GND | GND | 38 | |
| 13 | GND | GND | 35 | |
| 14 | RX3+ | Tx1+ | 36 | |
| 15 | RX3- | Tx1- | 37 | |
| 04 | GND | GND | 20 | |
| 05 | TX4- | Rx2- | 21 | |
| 06 | TX4+ | Rx2+ | 22 | |
| 07 | GND | GND | 23 | |
| 23 | GND | GND | 01 | |
| 26 | GND | GND | 04 | |
| 25 | RX4+ | Tx2+ | 03 | |
| 24 | RX4- | Tx2- | 02 | |

QSFP+ PADS 1, 4, 7, 13, 16, 19, 20, 23, 26
32, 35 AND 38 ARE GND

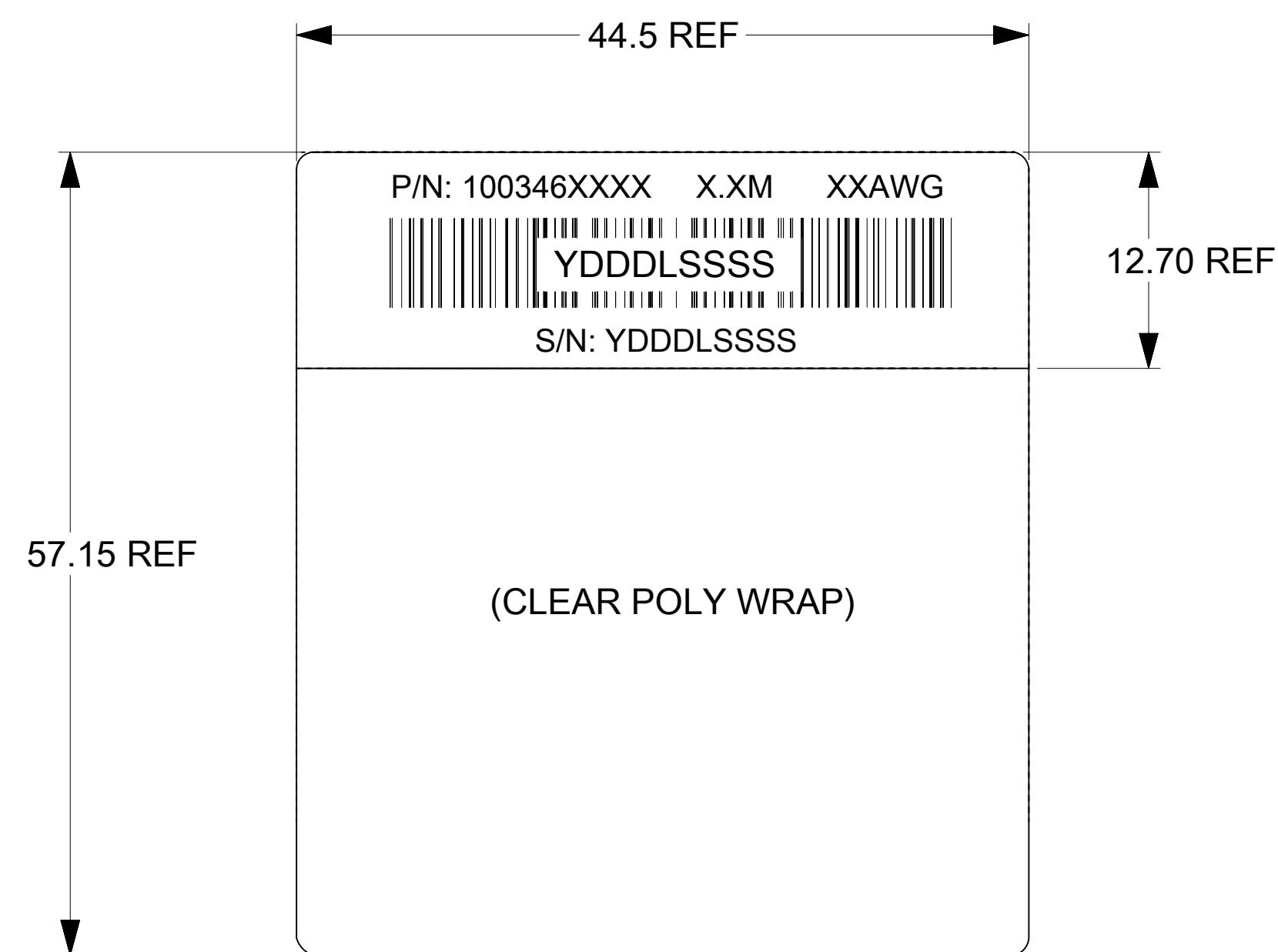


| CABLE AWG | OD (mm) | MINIMUM BEND RADIUS (mm) | MINIMUM BEND SPACE (mm) |
|-----------|---------|--------------------------|-------------------------|
| 30 | 5.89 | 28 | 55 |
| 28 | 6.1 | 30 | 58 |
| 26 | 7.62 | 38 | 67 |

THIS DRAWING CONTAINS INFORMATION THAT IS PROPRIETARY TO MOLEX ELECTRONIC TECHNOLOGIES, LLC AND SHOULD NOT BE USED WITHOUT WRITTEN PERMISSION

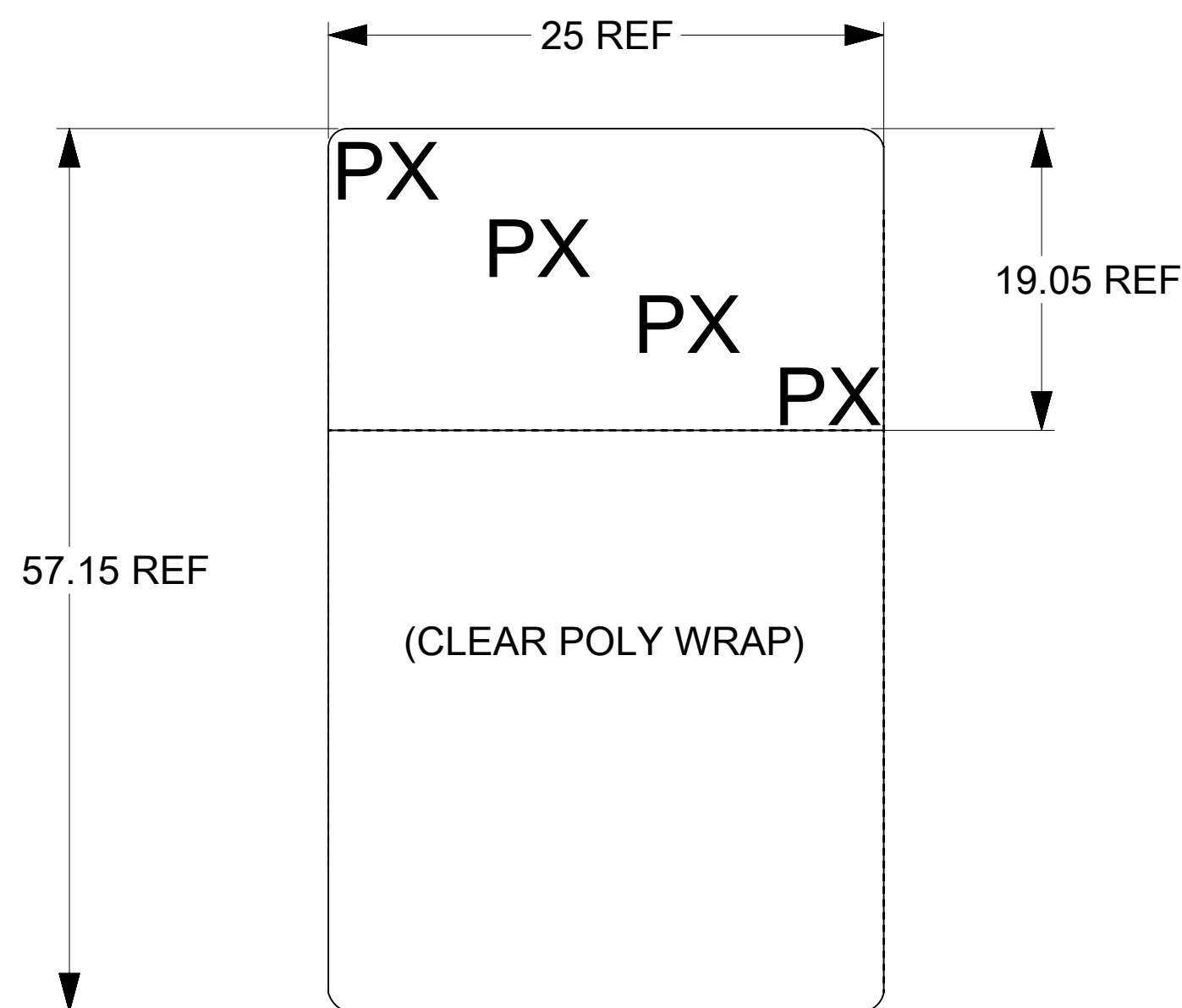
| | | | |
|---|------------------------|---|--|
| DIMENSION UNITS mm | SCALE 2:1 | CURRENT REV DESC: REMOVED OBSOLETE PART NUMBER AS PER PCN#512658. | |
| GENERAL TOLERANCES (UNLESS SPECIFIED) | | | |
| ANGULAR TOL | ± 1.0° | EC NO: 722794 | ZQSFP+ TO 2X ZQSFP+ BREAKOUT CABLE ASSEMBLY PRODUCT CUSTOMER DRAWING |
| 4 PLACES | ± | DRWN: SANTHN 2022/10/07 | |
| 3 PLACES | ± | CHK'D: GGA 2022/10/12 | |
| 2 PLACES | ± 0.13 | APPR: GGA 2022/10/12 | DOCUMENT NUMBER 1003461051 |
| 1 PLACE | ± 0.25 | INITIAL REVISION: DRWN: MTAMBRALLI 2017/01/11 APPR: ARAYBURN 2017/02/07 | |
| 0 PLACES | ± | | DOC PART 001 |
| DRAFT WHERE APPLICABLE MUST REMAIN WITHIN DIMENSIONS | THIRD ANGLE PROJECTION | DRAWING D-SIZE | SHEET NUMBER M1 |
| | | SERIES 100346 | REVISION |
| | | MATERIAL NUMBER SEE PN TABLE | CUSTOMER GENERAL MARKET |
| | | | SHEET NUMBER 2 OF 3 |

LABEL DETAILS



P/N: 100346XXXX - MOLEX PART NUMBER (SEE P/N TABLE)
 X.XM - CABLE LENGTH IN METERS (EXAMPLES - 0.5M, 1.0M)
 S/N: YDDLSSSS - SERIAL NUMBER
 Y - YEAR, THE LAST DIGIT OF YEAR
 DDD - DAY OF THE YEAR
 L - LOCATION
 1 - USA
 2 - MEXICO
 3 - CHINA
 4 - PHILIPPINES
 SSSS - SERIAL NUMBER (0001-9999)

END LABEL



'P2' & 'P3' LABELS REQUIRED ON BOTH 2zQ ENDS.
 'P1' LABEL REQUIRED ON zQ END.
 PX - P1/P2/P3 ENDS

| MOLEX P/N | LENGTH(M) | TOL.(M) | AWG | RAW CABLE |
|------------|-----------|---------|-----|-----------|
| 1003461051 | 0.5 | ±0.05 | 30 | TEMPFLEX |
| 1003461071 | 0.75 | ±0.05 | 30 | |
| 1003461101 | 1.0 | ±0.05 | 30 | |
| 1003461151 | 1.5 | ±0.08 | 30 | |
| 1003461201 | 2.0 | ±0.08 | 30 | |
| 1003461251 | 2.5 | ±0.08 | 30 | |
| 1003461301 | 3.0 | ±0.08 | 30 | |
| 1003462051 | 0.5 | ±0.05 | 28 | |
| 1003462071 | 0.75 | ±0.05 | 28 | |
| 1003462101 | 1.0 | ±0.05 | 28 | |
| 1003462151 | 1.5 | ±0.05 | 28 | |
| 1003462201 | 2.0 | ±0.08 | 28 | |
| 1003462251 | 2.5 | ±0.08 | 28 | |
| 1003462301 | 3.0 | ±0.08 | 28 | |
| 1003463051 | 0.5 | ±0.05 | 26 | |
| 1003463071 | 0.75 | ±0.05 | 26 | |
| 1003463101 | 1.0 | ±0.05 | 26 | |
| 1003463151 | 1.5 | ±0.05 | 26 | |
| 1003463201 | 2.0 | ±0.08 | 26 | |
| 1003463251 | 2.5 | ±0.08 | 26 | |
| 1003463301 | 3.0 | ±0.08 | 26 | |
| 1003463351 | 3.5 | ±0.08 | 26 | |
| 1003463401 | 4.0 | ±0.08 | 26 | |
| 1003463451 | 4.5 | ±0.08 | 26 | |
| 1003463501 | 5.0 | ±0.08 | 26 | |

*CABLES SHORTER THAN 1.0M, MAY NOT MEET ALL SI PARAMETERS OF IEEE 802.3BJ.

| | | | | | | | | | | |
|---|--------|---|--------------|---------|------------|-----------------|----------------|-----------------|----------|----------|
| THIS DRAWING CONTAINS INFORMATION THAT IS PROPRIETARY TO MOLEX ELECTRONIC TECHNOLOGIES, LLC AND SHOULD NOT BE USED WITHOUT WRITTEN PERMISSION | | | | | | | | | | |
| DIMENSION UNITS | SCALE | CURRENT REV DESC: REMOVED OBSOLETE PART NUMBER AS PER PCN#512658. | | | | | | | | |
| mm | 1:1 | ZQSFP+ TO 2X ZQSFP+ BREAKOUT CABLE ASSEMBLY PRODUCT CUSTOMER DRAWING | | | | | | | | |
| GENERAL TOLERANCES (UNLESS SPECIFIED) | | | | | | | | | | |
| ANGULAR TOL | ± 1.0° | | | | | | | | | |
| 4 PLACES | ± | | | | | | | | | |
| 3 PLACES | ± | | | | | | | | | |
| 2 PLACES | ± 0.13 | | | | | | | | | |
| 1 PLACE | ± 0.25 | EC NO: 722794 | DRWN: SANTHN | | 2022/10/07 | | | DOCUMENT NUMBER | | |
| 0 PLACES | ± | CHK'D: GGA | APPR: GGA | | 2022/10/12 | | | DOC TYPE | DOC PART | REVISION |
| DRAFT WHERE APPLICABLE MUST REMAIN WITHIN DIMENSIONS | | THIRD ANGLE PROJECTION | | DRAWING | SERIES | MATERIAL NUMBER | CUSTOMER | SHEET NUMBER | | |
| | | | | D-SIZE | 100346 | SEE PN TABLE | GENERAL MARKET | 3 OF 3 | | |