

# INJ-C200G-bt-T

Industrial Gigabit IEEE 802.3bt Type 4 4PPoE Injector;  
EOT: -40°C ~ 75°C



## Features

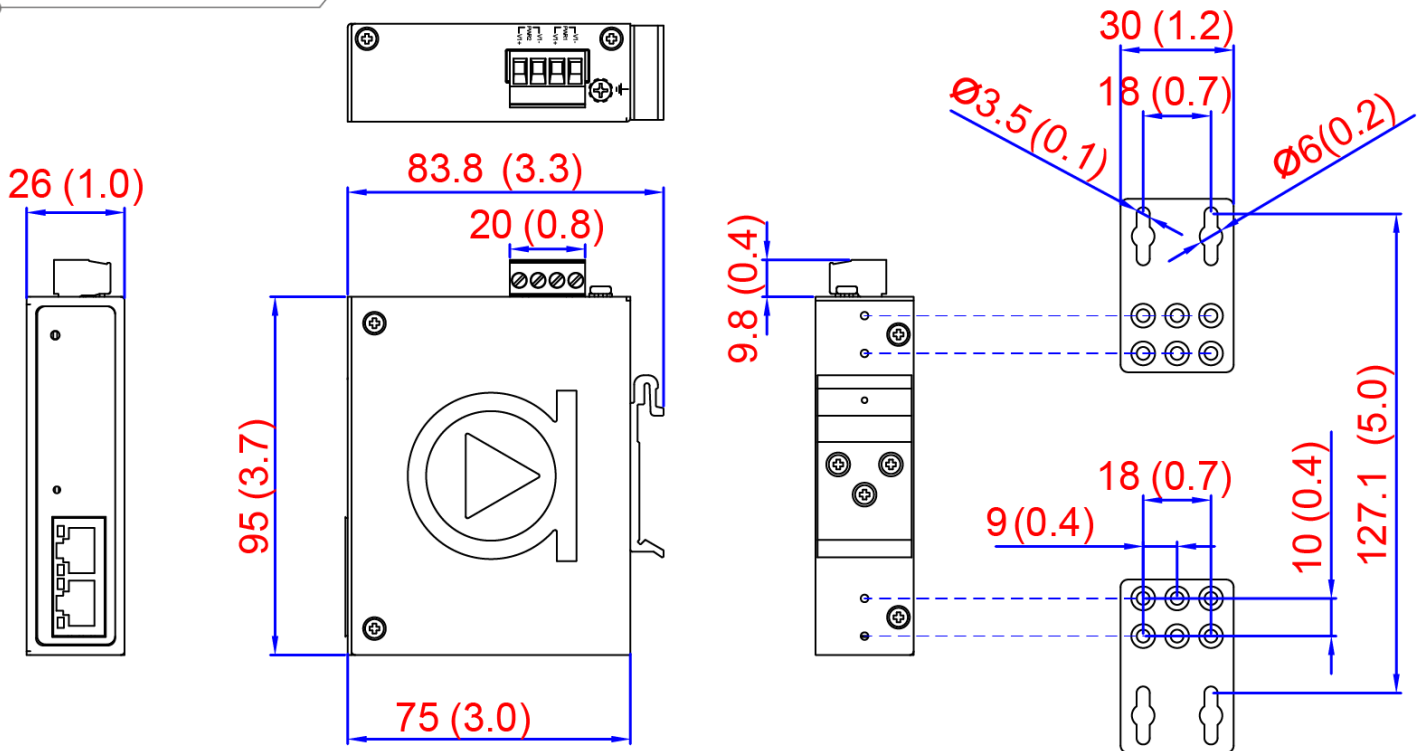
- ▶ Supports 2\*10/100/1000Tx with 1\*IEEE 802.3bt Compliant
- ▶ IEEE 802.3af/at Backwards Compatible
- ▶ Provides Data and Power over Ethernet to Power Device
- ▶ Provides up to 97 Watts on PoE port
- ▶ Power Input: 53~57VDC in 4-Pin Removable Terminal Block
- ▶ IP30 Rugged Metal Case Design
- ▶ DIN-Rail or Wall Mountable
- ▶ Operating Temperature Range: -40°C to 75°C
- ▶ 5-Year Warranty

## INTRODUCTION

Antaira Technologies' INJ-C200G-bt-T is an industrial high-power IEEE 802.3bt Type 4 Power over Ethernet (PoE) injector that is backwards compatible with the previous IEEE 802.3af/at standards. By utilizing multiple pairs on the RJ45 cable this industrial-grade PoE injector is capable of providing up to 97 Watts of power to tail end devices. Each port supports 10/100/1000Tx with one port supporting PoE.

The INJ-C200G-bt-T is IP30 rated, DIN-rail and wall-mountable, and supports an extended operating temperature range of -40°C to 75°C, making it ideal for outdoor or harsh industrial applications.

## DIMENSIONS



Unit: mm (inch)

Din-rail

Wall-mount

## SPECIFICATIONS

<b>Technology</b>	
<b>Standards</b>	IEEE 802.3 10Base-T Ethernet IEEE 802.3u 100Base-TX Fast Ethernet IEEE 802.3ab 1000Base-T Gigabit Ethernet IEEE 802.3af/at/bt Power over Ethernet
<b>Switch Properties</b>	
<b>Switch Architecture</b>	14,880pps for Ethernet Port 148,800pps for Fast Ethernet Port 1,488,000pps for Gigabit Ethernet Port
<b>Port Interface</b>	
<b>Ethernet Port</b>	2*10/100/1000 Base-T(X) with 1*4PPoE (97W/Port)
<b>PoE Pin Assignment</b>	V+ for pin 3, 4, 5, 6 V- for pin 1, 2, 7, 8
<b>LED Indicators</b>	Power and PoE

<b>Mechanical Characteristics</b>	
<b>Housing</b>	Metal, IP30 protection
<b>Dimensions</b>	26 x 95 x 75 mm (W x H x D)
<b>Weight</b>	Unit: 0.60 lb Shipping: 1.0 lb
<b>Mounting</b>	DIN-Rail mounting, Wall mounting
<b>Power Requirement</b>	
<b>Input Voltage</b>	53~57VDC, Redundant Inputs
<b>Power Connection</b>	Removable 4-Contact Terminal Block
<b>Overload Current Protection</b>	Present
<b>Reverse Polarity Protection</b>	Present
<b>System Power Consumption</b>	1W
<b>PoE Power Budget</b>	97W
<b>Environmental Limits</b>	
<b>Operating Temperature</b>	-40°C to 75°C
<b>Storage Temperature</b>	-40°C to 100°C
<b>Ambient Relative Humidity</b>	5% to 95%, (non-condensing)
<b>Regulatory Approvals</b>	
<b>EMI</b>	FCC Part 15 Subpart B Class A, CE EN55032/EN61000-6-4 Class A
<b>EMS</b>	CE EN55035/EN61000-6-2 Class A, IEC61000-4-2,3,4,5,6,8
<b>Free Fall</b>	IEC60068-2-32
<b>Shock</b>	IEC60068-2-27
<b>Vibration</b>	IEC60068-2-6
<b>Green</b>	RoHS Compliant
<b>Certifications</b>	FCC, CE
<b>Warranty</b>	5 Years

## ORDERING INFO

**INJ-C200G-bt**

Industrial Gigabit IEEE 802.3bt Type 4 4PPoE Injector; EOT: -40°C to 75°C