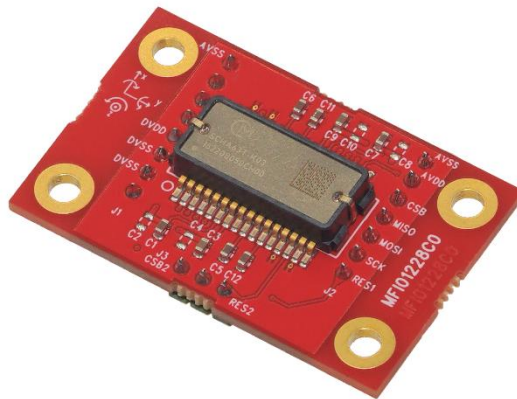


## SCHA6XX SERIES PCB SPECIFICATION



## 1 SCHA63X Series Chip Carrier PCB

The purpose of SCHA63X series PCB is to enable fast prototyping.

SCHA63X series PCB includes

- SCHA63X series sensor soldered on PCB
- PCB design # 01228C0 with pin headers
- Connectors and passive components

Refer to corresponding component specific datasheet when using the SCHA63X series PCB.

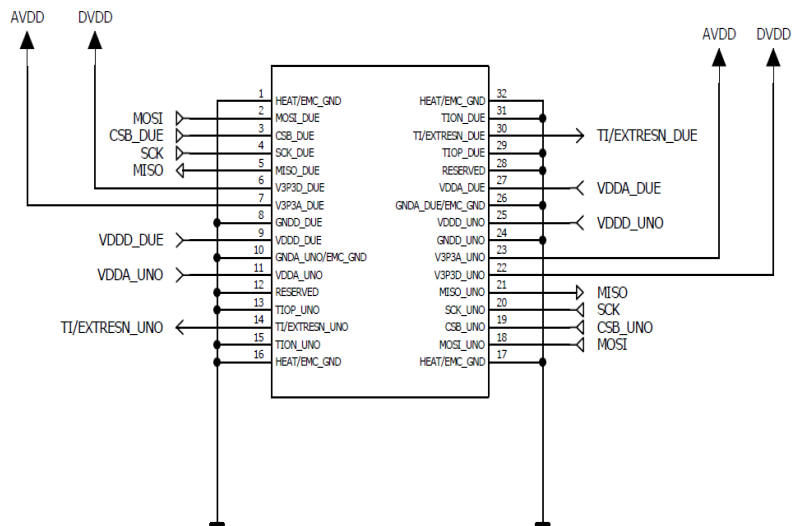


Figure 1. SCHA63X series PCB pin out and external connections.

Item	Qty	Ref	Part Name / type	Value
1	2	C3,C9	Capacitor 0603	100 nF
2	6	C1,C5-7,C11-12	Capacitor 0603	1 $\mu$ F
3	1		SCHA63X Sensor	
4	1	J1	8-pin through hole pin header, pitch 100 mils, pin size 0.63x0.63mm, length ~5.85mm (example mating part: Samtec: SSQ-108-01-S-S)	
5	1	J2	7-pin through hole pin header, pitch 100 mils, pin size 0.63x0.63mm, length ~5.85mm (example mating part: Samtec: SSQ-107-01-S-S)	
6	1	J3	3-pin through hole pin header, pitch 100 mils, pin size 0.63x0.63mm, length ~5.85mm (example mating part: Samtec: SSQ-108-01-S-S)	

Table 1. BOM of the SCHA63X series PCB.

Detailed pictures of SCHA63X series PCB are presented in following pages:

- PCB layout
- Assembly drawings
- Circuit diagram

PCB mechanical dimensions:

- Length 42.86 mm
- Width 27.38 mm
- Height 15.1 mm (incl. components and pin headers)
- PCB layers: 4

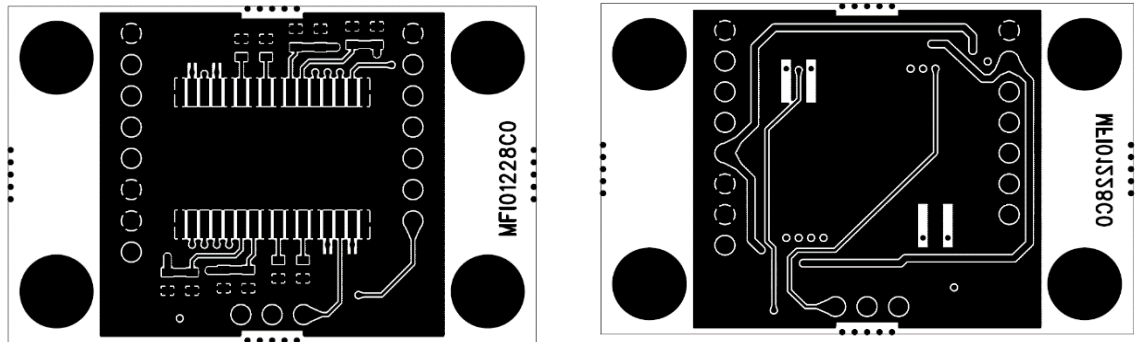


Figure 2. TOP (left) and BOTTOM (right) layer of SCHA63X series PCB (aspect ratio not 1:1).

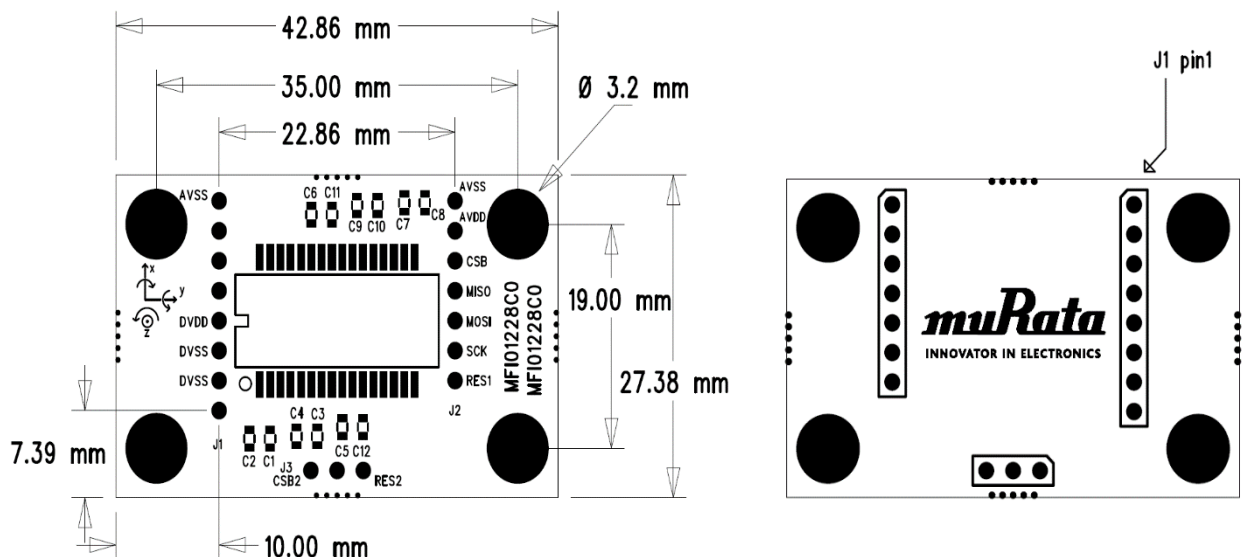


Figure 3. TOP (left) and BOTTOM (right) view assembly drawings for SCHA63X series PCB (aspect ratio not 1:1).

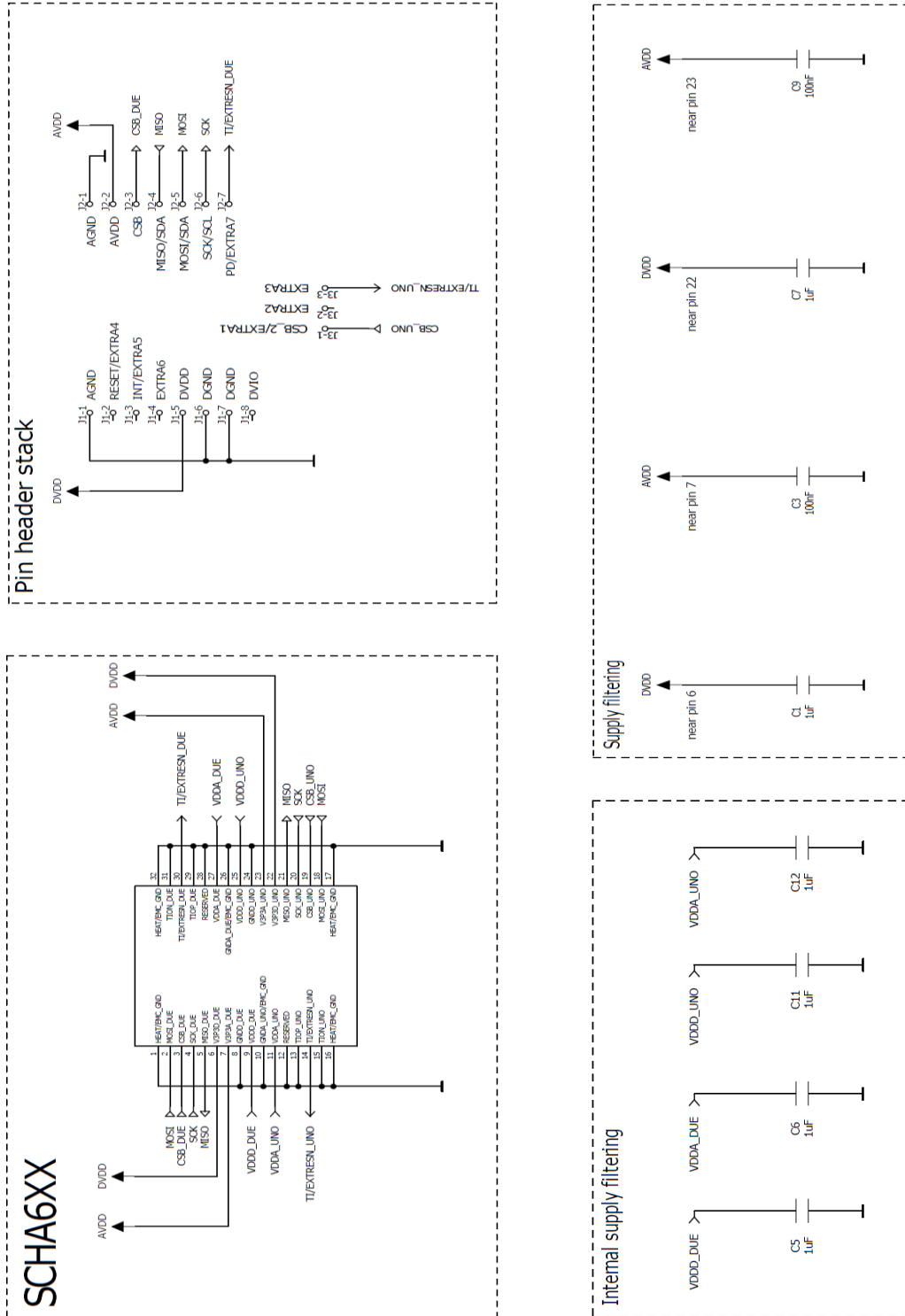


Figure 4. SCHA63X series PCB circuit diagram.