

Part number	DIM.A	DIM.B	DIM.C	DIM.D	DIM.E	DIM.F
10162696-X01LF	1.75	1.82	∅1.10	1.12	1.30	∅0.60
10162696-X02LF	1.72	1.58	∅0.87	1.10	1.00	∅0.60

NOTES:

- CARRIER MATL: COPPER ALLOY, 0.15 MM THICKNESS;
- FINISHED: REFER TO P/N SYSTEM;
- UNLESS OTHERWISE SPECIFIED, ALL INNER RADII ARE R0.10mm;
- DIMENSIONING SHALL BE INTERPRETED PER ASME Y14.5-2009;
- PACKING: 20KPCS/REEL, REF TO SPEC. GS-14-2813;
- APPLICATION SPEC.: GS-20-0703;
- APPLICABLE HOUSING: 10162695 SERIES;
- PRODUCT DESCRIPTION CODE:
10162696-Y 0 X LF

RoHS COMPLIANT
APPLICATION WIRE
1 = FOR AWG#24-26
2 = FOR AWG#28-30
PLATING, SEE TABLE

A

B

C

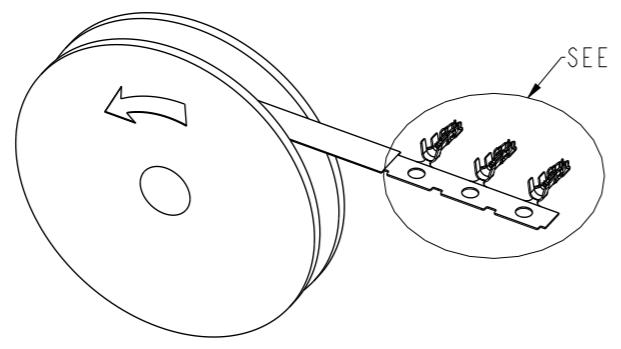
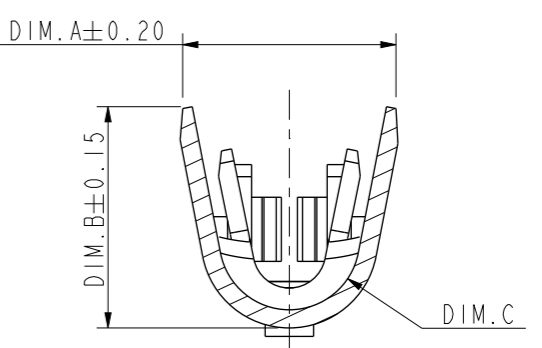
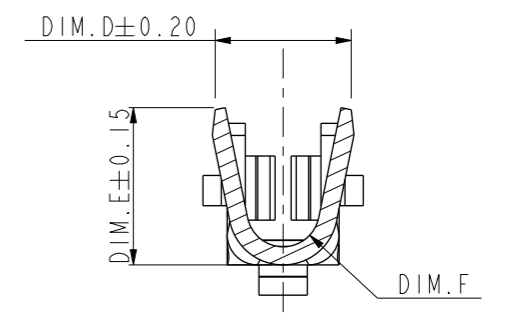
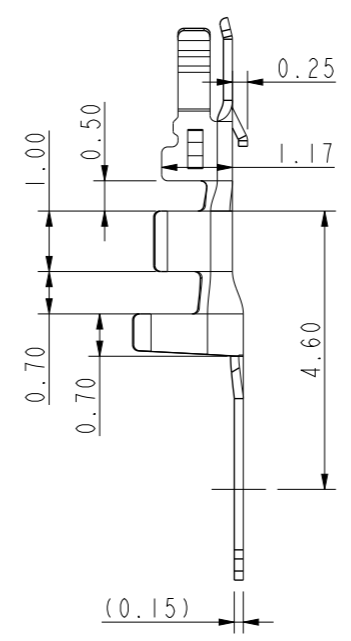
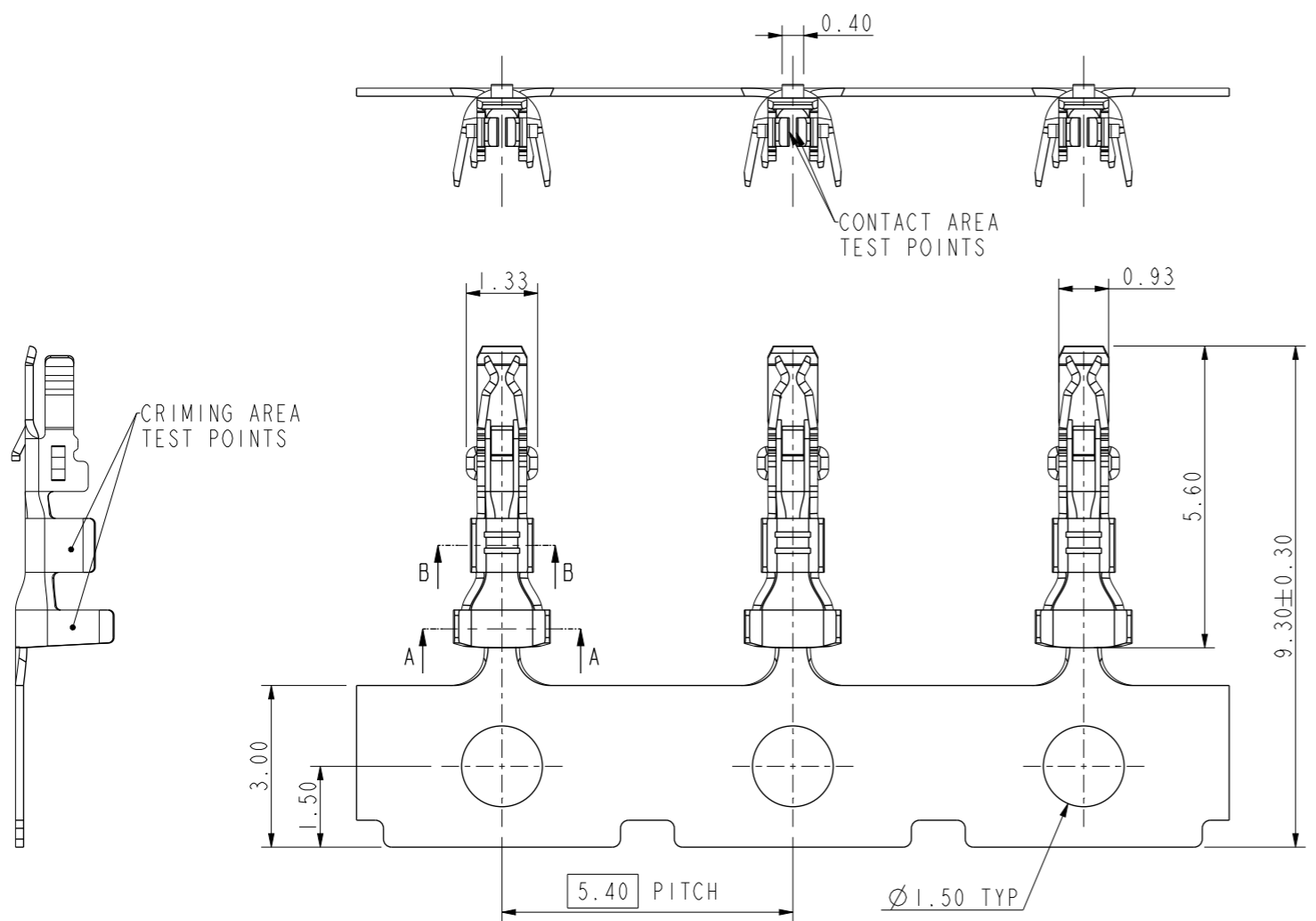
D

A

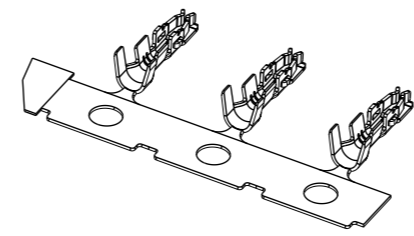
B

C

D



REEL DIRECTION AFTER PLATING



DETAIL A

10162696-0XXLF	0.125µm GOLD OVER 1.25µm MIN Nickel	1.25µm MIN Nickel
PLATING CODE	CONTACT AREA	CRIMING AREA

spec ref	-	dr	Arthur Zhao	2021/09/22	projection	mm	size	A3	scale	1:1				
tolerance std	ISO 406 ISO 1101	eng	Arthur Zhao	2021/12/08			ecn no	ELX-N-43182-1	rel level	Released				
TOLERANCES UNLESS OTHERWISE SPECIFIED		chr	-	product family							-			
surface	linear	0.X	±0.30	Amphenol FCI	Receptacle signal terminal ComboLock Connector	title	dwg no 10162696	rev B	cat. no.					
		0.XX	±0.20						-		Product - Customer Drw		sheet 1 of 1	
	angular	0°	±2°											