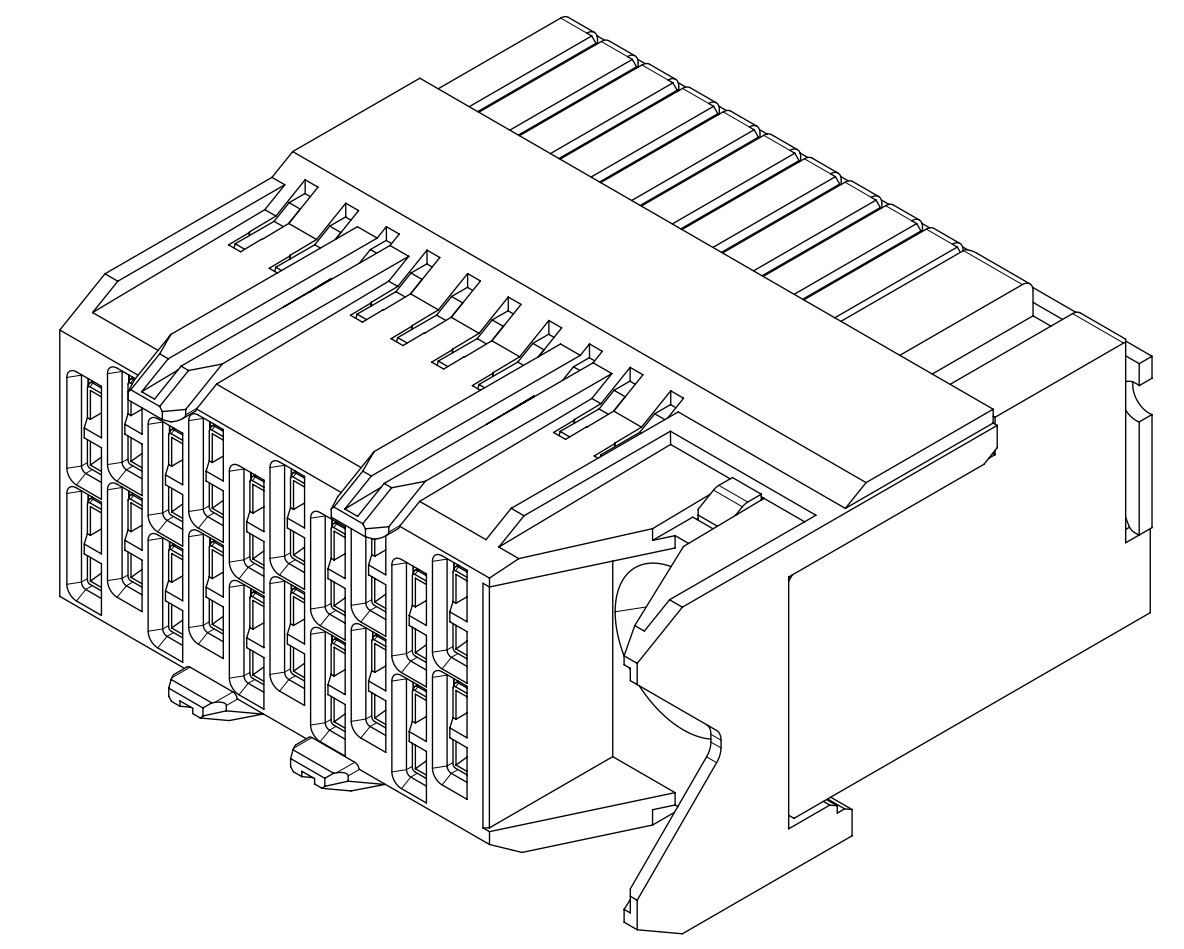


- NOTES:
1. MATERIALS: HOUSING - LIQUID CRYSTAL POLYMER (LCP) GLASS-FILLED, UL94V-0
TERMINALS - HIGH PERFORMANCE COPPER ALLOY
 2. FINISH: 30uIN GOLD IN CONTACT AREA.
SELECTIVE TIN ON PCB TAILS.
NICKEL OVERALL.
 3. REFER TO MOLEX PRODUCT SPECIFICATION PS-171320-999 FOR PERFORMANCE SPECIFICATIONS.
 4. THIS PART CONFORMS TO CLASS B REQUIREMENTS OF MOLEX COSMETIC SPEC PS-45499-002.
 5. PRODUCT WILL BE PACKAGED PER PK-78888-313.
 6. SEE SHEET 2 FOR HOLE PATTERN DIMENSIONS.
 7. MATES WITH IMPEL BP SERIES NUMBER 171745.
 8. REFER TO IMPEL PCB ROUTING GUIDE AS-171320-990 FOR ANTIPAD, ROUTING RECOMMENDATIONS, AND ADDITIONAL PCB INFORMATION.
 9. WHEN STACKING MODULES END TO END, THE MINIMUM COLUMN TO COLUMN HOLE SPACING IS 2.65mm.
 10. WHEN USING THE SUPPLIED 2-32 THREAD FORMING SCREW (73726-4000), THE MAXIMUM RECOMMENDED BOARD THICKNESS IS 2.4mm.



THIS DRAWING CONTAINS INFORMATION THAT IS PROPRIETARY TO MOLEX ELECTRONIC TECHNOLOGIES, LLC AND SHOULD NOT BE USED WITHOUT WRITTEN PERMISSION

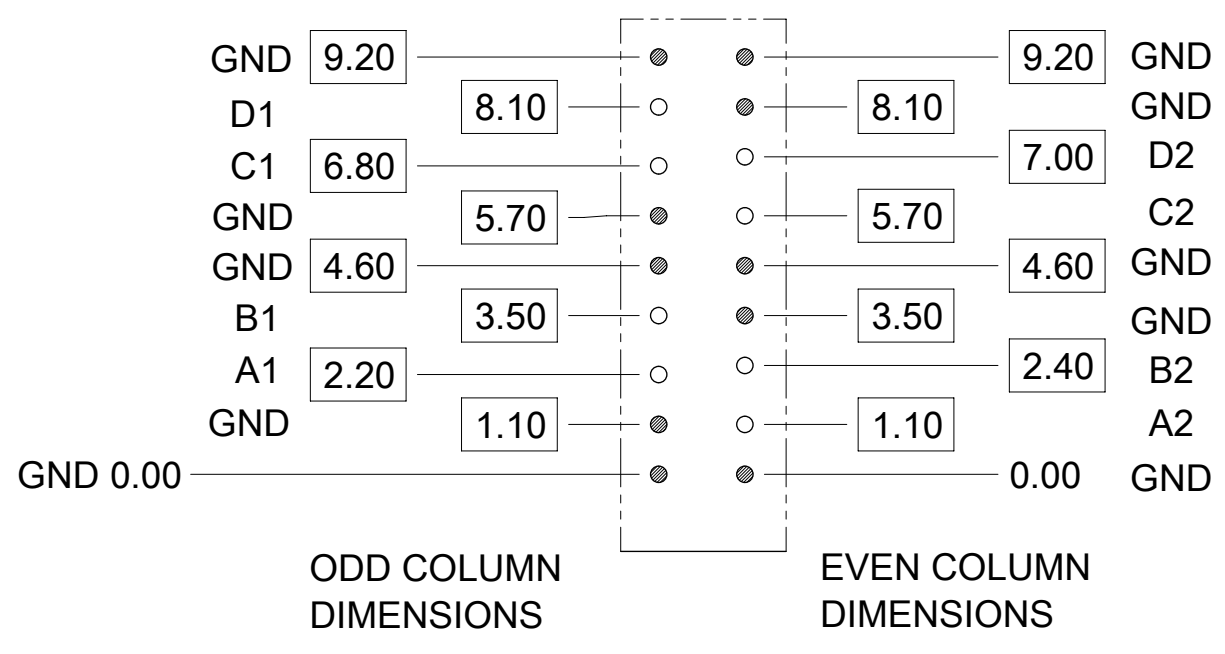
| | | | | | | |
|---|---------------------------------------|------------------------|-----------------|---|-----------------|----------------|
| MIGRATED EC NO: 177983 DRWN: SKANG CHKD: CYLIAW REV / APPR: DWLEED1 | GENERAL TOLERANCES (UNLESS SPECIFIED) | | DIMENSION UNITS | SCALE | | |
| | ANGULAR TOL ± 0.5 ° | | MM | 4:1 | | |
| | 4 PLACES ± | DRWN BY | DATE | | | |
| | 3 PLACES ± | JLAURX | 2012/12/06 | | | |
| 2 PLACES ± 0.13 | CHKD BY | DATE | | IMPEL DAUGHTERCARD ASSY 2 PAIR - 1.9MM PITCH GUIDE RIGHT SALES DWG | | |
| 1 PLACE ± 0.25 | CYLIAW | | | | | |
| 0 PLACES ± | APPR BY | DATE | | | | |
| | JBINGHAM | 2014/12/18 | | | | |
| DRAFT WHERE APPLICABLE MUST REMAIN WITHIN DIMENSIONS | DRAWING SIZE | THIRD ANGLE PROJECTION | | SERIES | MATERIAL NUMBER | CUSTOMER |
| | C | | | 171750 | SEE CHART | GENERAL MARKET |
| | | DOCUMENT NUMBER | DOC TYPE | DOC PART | SHEET NUMBER | |
| B1 | | SD-171750-0004 | PSD | 001 | 1 OF 2 | |

| MATERIAL NUMBER | NUMBER OF COLUMNS | NUMBER OF DIFF PAIR | DIM "A" | DIM "B" |
|-----------------|-------------------|---------------------|-----------|---------|
| 171750-5038 | 8 | 16 | 23.40 MAX | 13.30 |
| 171750-5020 | 10 | 20 | 27.20 MAX | 17.10 |
| 171750-5022 | 12 | 24 | 31.00 MAX | 20.90 |
| 171750-5026 | 16 | 32 | 38.60 MAX | 28.50 |

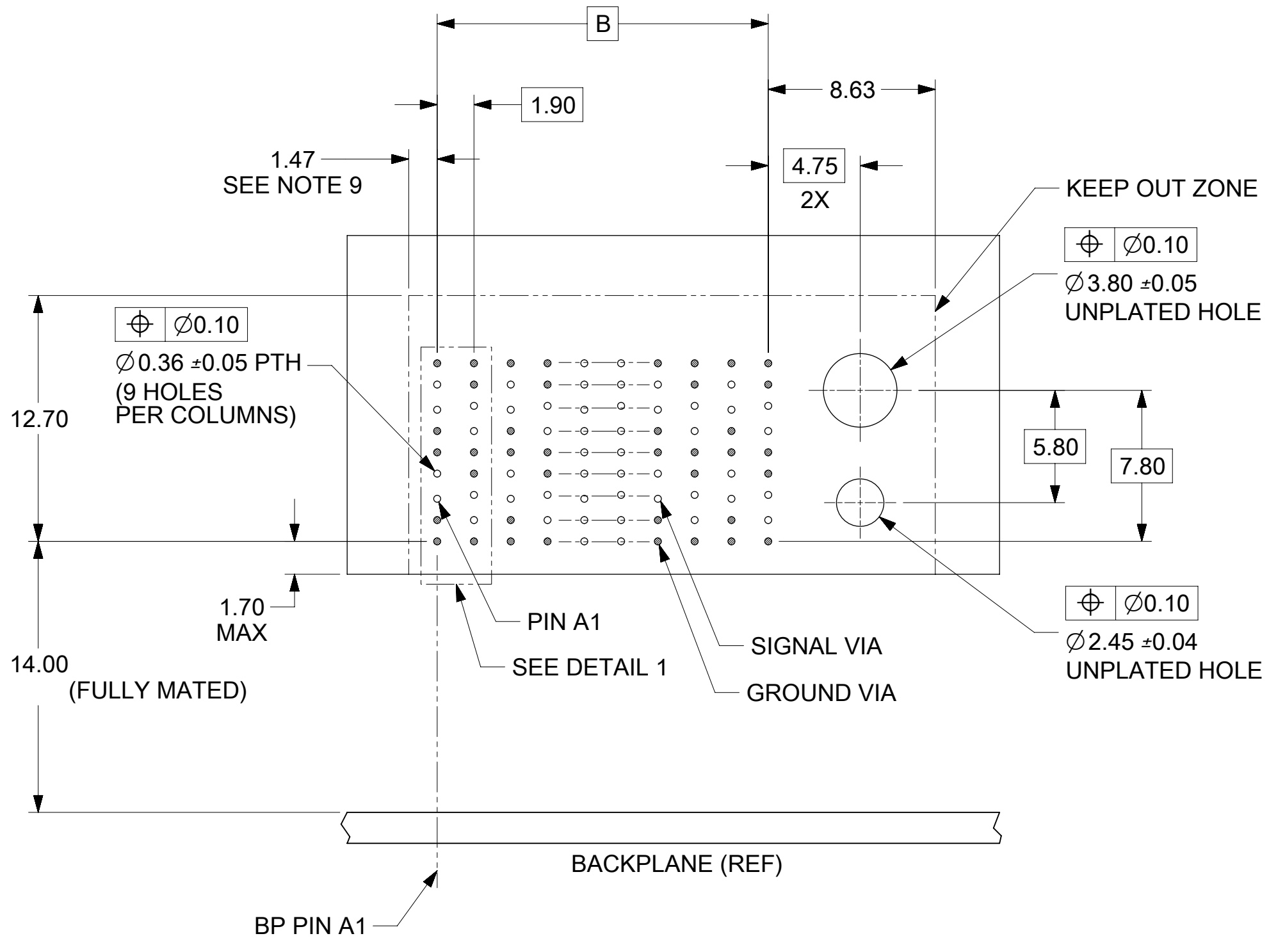
171750-50**

MODULE TYPE
5 = GUIDE RIGHT

COLUMN SIZE
38 = 8 COLUMN
20 = 10 COLUMN
22 = 12 COLUMN
26 = 16 COLUMN



DETAIL 1
SCALE 6:1



DAUGHTERCARD HOLE PATTERN (CONNECTOR SIDE)

| | | | | | | | | | | | | |
|---|---------------------------------------|--|----------|--|--|--------------|-----------------|---------------------------------|--------------|--------------|--|--|
| THIS DRAWING CONTAINS INFORMATION THAT IS PROPRIETARY TO MOLEX ELECTRONIC TECHNOLOGIES, LLC AND SHOULD NOT BE USED WITHOUT WRITTEN PERMISSION | | | | | | | | | | | | |
| MIGRATED EC NO: 177983 DRWN: SKANG CHKD: CYLIAW REV: APPR: DWLEED1 | GENERAL TOLERANCES (UNLESS SPECIFIED) | | | | | | DIMENSION UNITS | SCALE | molex | | | |
| | ANGULAR TOL ± 0.5 ° | | | | | | MM | 4:1 | | | | |
| | 4 PLACES ± | | JLAURX | | | | DATE | | 2012/12/06 | | | |
| | 3 PLACES ± | | CYLIAW | | | | CHKD BY | | DATE | | | |
| | 2 PLACES ± 0.13 | | JBINGHAM | | | | APPR BY | | DATE | | | |
| 1 PLACE ± 0.25 | | 2014/12/18 | | | | DRAWING SIZE | | THIRD ANGLE PROJECTION | | | | |
| 0 PLACES ± | | DRAFT WHERE APPLICABLE MUST REMAIN WITHIN DIMENSIONS | | | | C | | SERIES MATERIAL NUMBER CUSTOMER | | | | |
| B1 | | SD-171750-0004 | | | | PSD | | 001 | | SHEET NUMBER | | |
| | | 2 OF 2 | | | | | | | | | | |