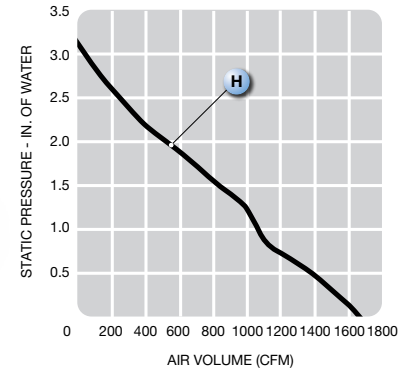
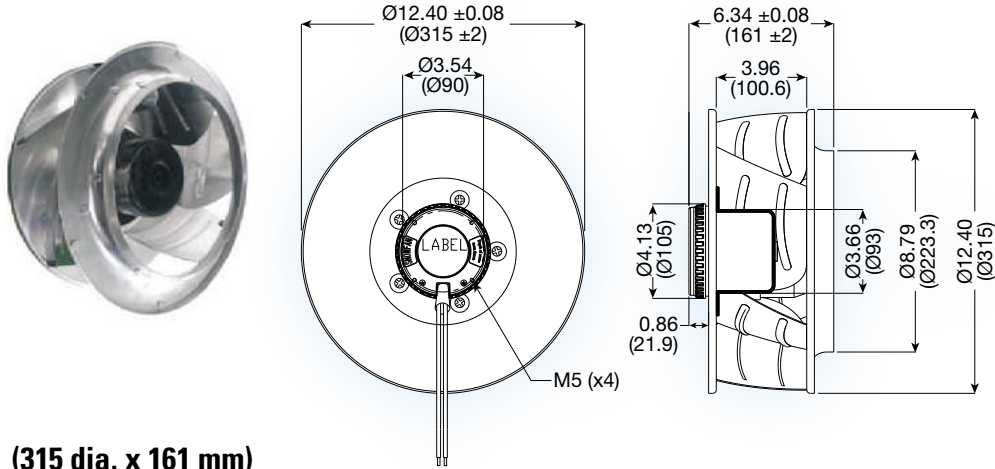


MSI3116 series



(315 dia. x 161 mm)

12.4 dia. x 6.34 inches

Features: soft start, reverse polarity protection, auto-restart

Operating Voltage: 48 VDC

Construction: aluminum die cast motor base:
aluminum impeller

Bearing option: ball bearing

Motor: brushless DC

Model No.	Rated Voltage VDC	Current A	Speed RPM	Air Volume		Max. Static Pressure (H ₂ O)		Sound Noise dbA	Weight g
				M ³ /Min.	CFM	MM	INCH		
MSI3116H	48	8.80	2,100	47.45	1675	80	3.15	76	3000