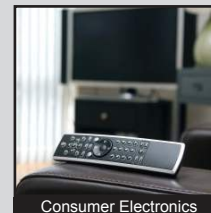
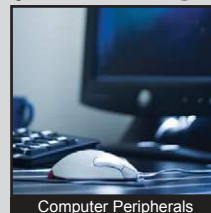
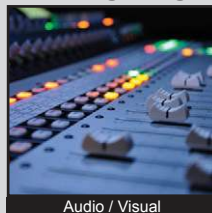


# TL6215 SERIES TACT SWITCH

ANTI-VANDAL SWITCHES  
 DETECTOR SWITCHES  
 DIP SWITCHES  
 KEYLOCK SWITCHES  
 NAVIGATION SWITCHES  
 PUSHBUTTON SWITCHES  
 ROCKER SWITCHES  
 ROTARY SWITCHES  
 SLIDE SWITCHES  
 SNAP ACTION SWITCHES  
**TACTILE SWITCHES**  
 TOGGLE SWITCHES  
 CAP OPTIONS



## APPLICATIONS / MARKETS



**RoHS**

## SPECIFICATIONS

**Electrical Rating:** 50mA @ 12VDC  
**Electrical Life:** 500,000 Cycles  
**Mechanical Life:** 500,000 Cycles  
**Contact Resistance:** 100mΩ Max.  
**Insulation Resistance:** 100M Ω Min. at 500VDC  
**Dielectric Strength:** 250VAC for 1 min.  
**Operating Temperature:** -20°C to 70°C  
**Storage Temperature:** -20°C to 70°C  
**Operating Force:** 200 gf; 450 gf  
**Travel:** 0.45mm  
**Dust/Moisture Protection:** IP67  
**Contact Arrangement:** SPST

## FEATURES & BENEFITS

- Illumination options
- Right angle or vertical thru hole mount
- IP67 ratings
- Multiple cap options

## PART NUMBER CONFIGURATOR

Series	Model	Termination Type	Actuation Force	LED Color	Cap Option*	Cap Color**
TL	6215	V - Vertical Thru Hole R - Right Angle Thru Hole*	F200 - 200 gf F450 - 450 gf	N - None R - Red G - Green B - Blue Y - Yellow W - White	N - No Cap B - B Style Cap D - D Style Cap* E - E Style Cap G - G Style Cap	N - No Cap T - Transparent K - Black** S - Silver**

\* Right Angle option with cap is only available with "D" Cap

\*\* K and S cap colors are opaque unless a laser etch graphic is created on the top surface

*Specifications subject to change without notice*



**E-SWITCH®**

www.e-switch.com

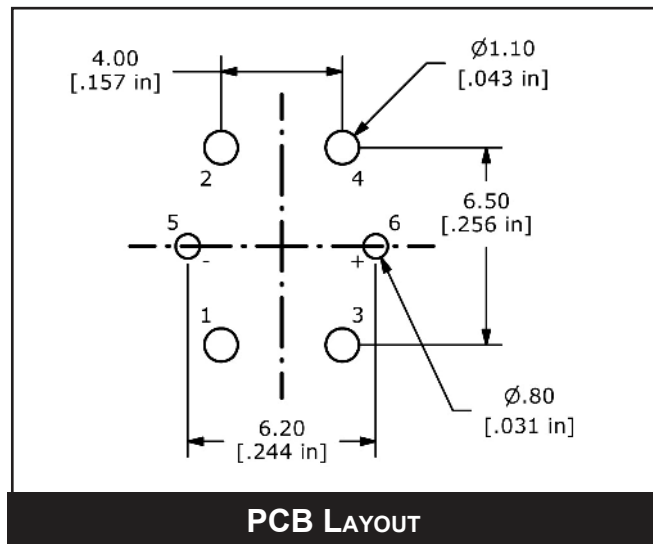
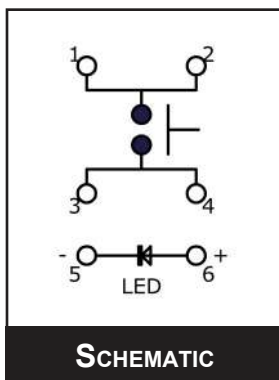
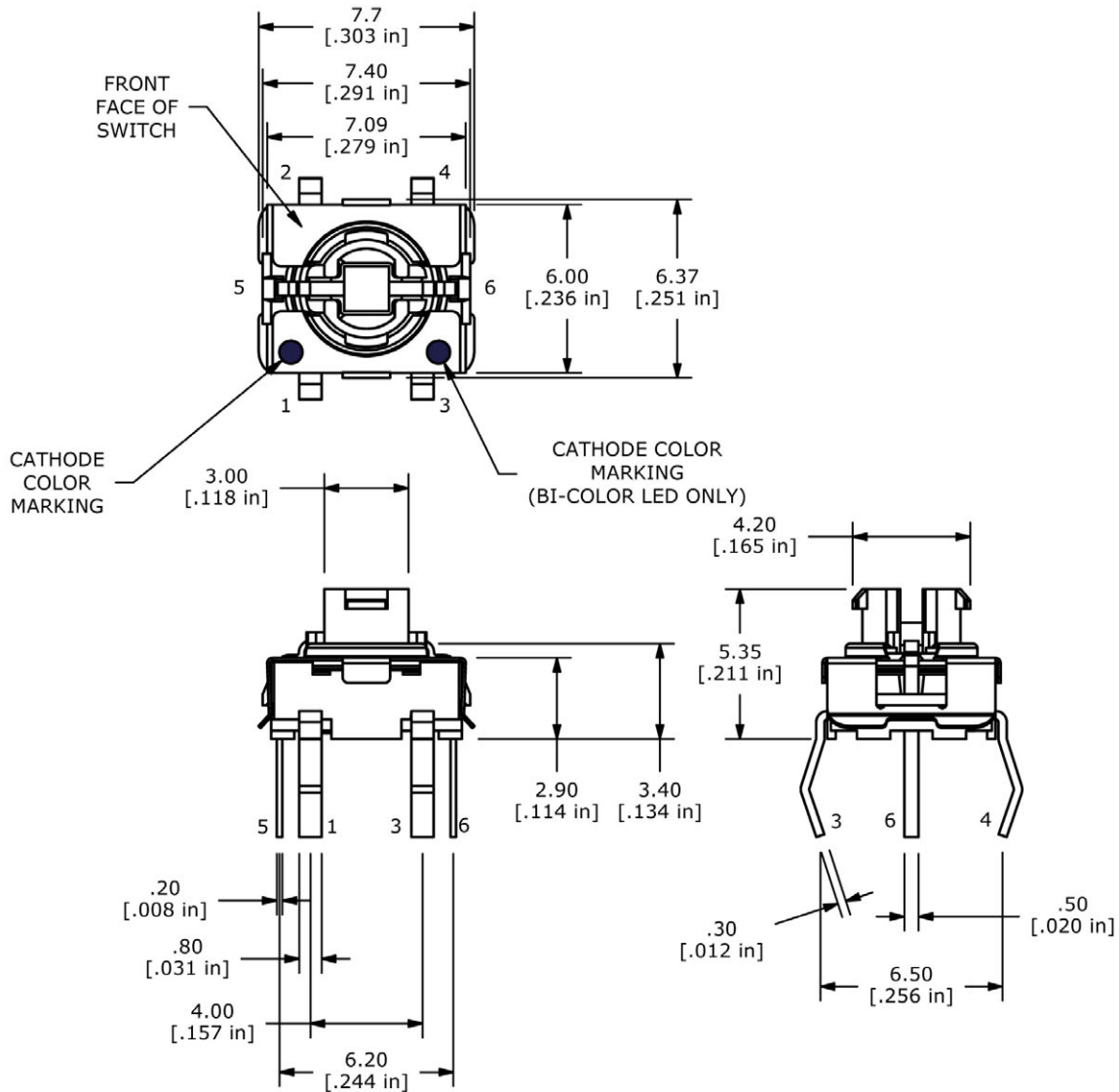
800.867.2717

2

# TL6215 SERIES TACT SWITCH

## BODY DIMENSIONS

### VERTICAL

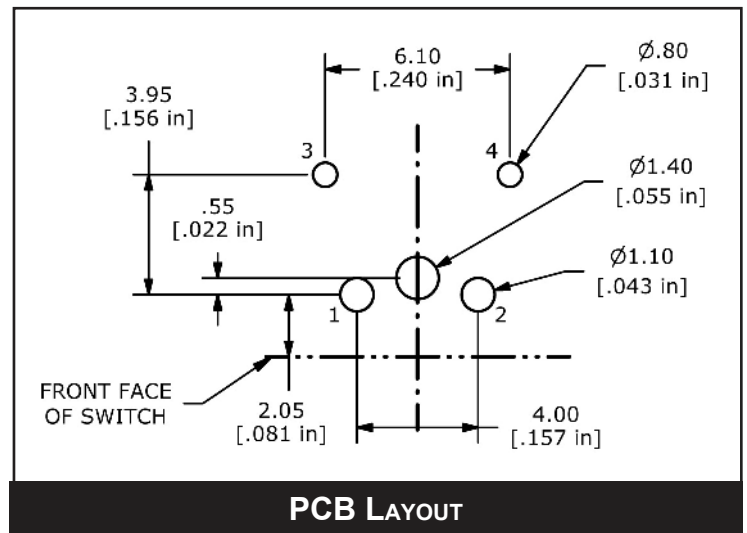
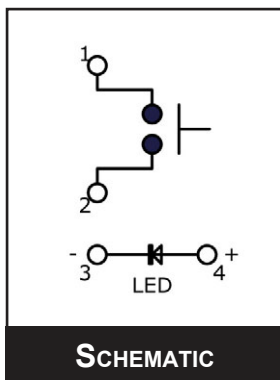
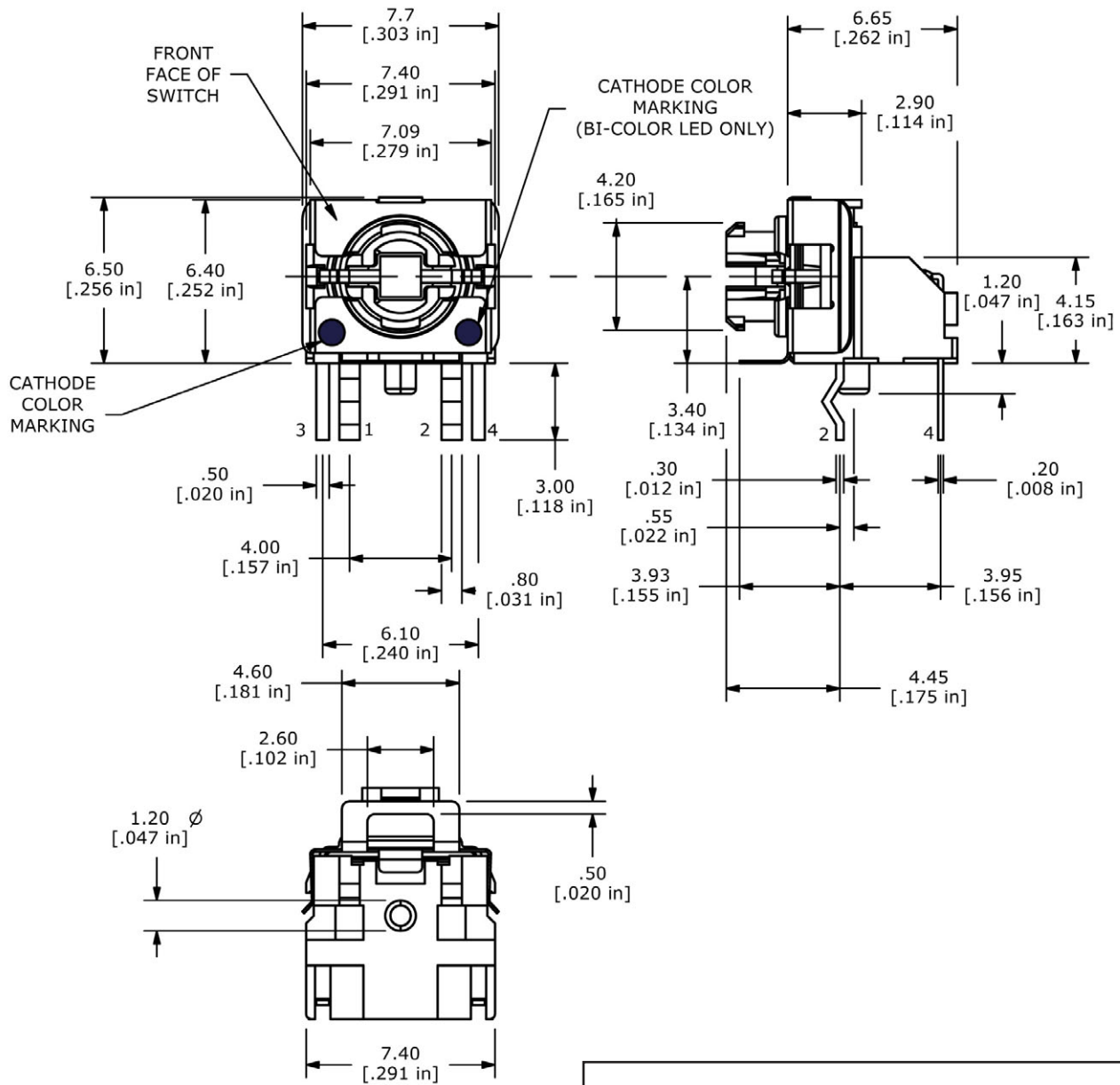


- ANTI-VANDAL SWITCHES
- DETECTOR SWITCHES
- DIP SWITCHES
- KEYLOCK SWITCHES
- NAVIGATION SWITCHES
- PUSHBUTTON SWITCHES
- ROCKER SWITCHES
- ROTARY SWITCHES
- SLIDE SWITCHES
- SNAP ACTION SWITCHES
- TACTILE SWITCHES**
- TOGGLE SWITCHES
- CAP OPTIONS



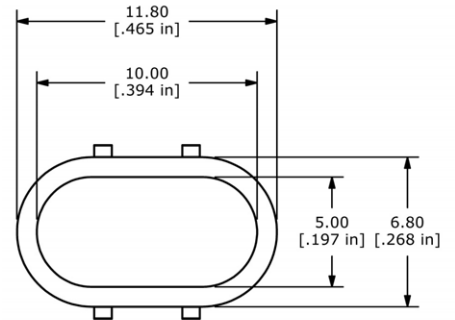
# TL6215 SERIES TACT SWITCH

## BODY DIMENSIONS RIGHT ANGLE

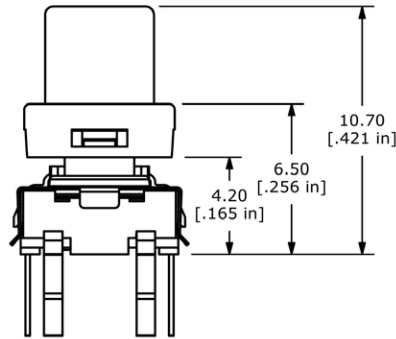


# TL6215 SERIES TACT SWITCH

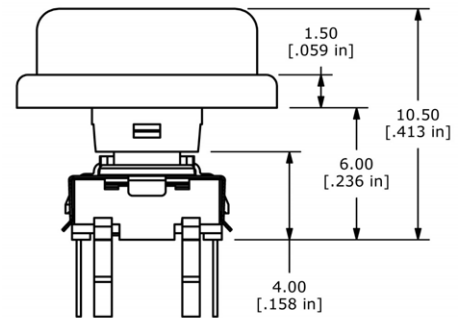
## CAP OPTIONS



B Cap Option



E Cap Option



G Cap Option



D Cap Option

LED CHART			
COLOR	FORWARD CURRENT	FORWARD VOLTAGE	ILLUMINOUS INTENSITY
BLUE	20mA	3.3 V TYP	80mcd TYP
GREEN	20mA	2.1 V TYP	50mcd TYP
RED	20mA	1.95 V TYP	220mcd TYP
YELLOW	20mA	2.0 V TYP	180mcd TYP
WHITE	20mA	3.0V TYP	450mcd TYP

