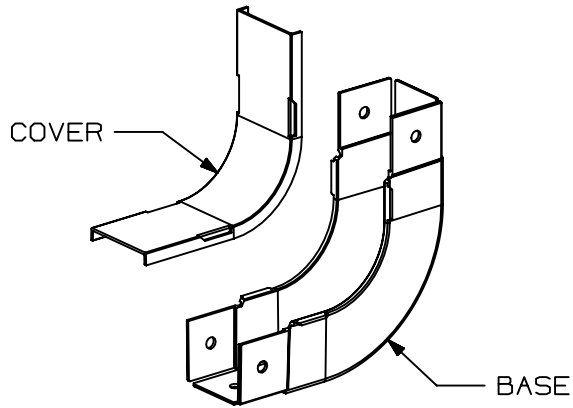


2

1

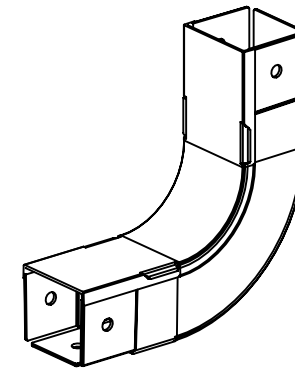
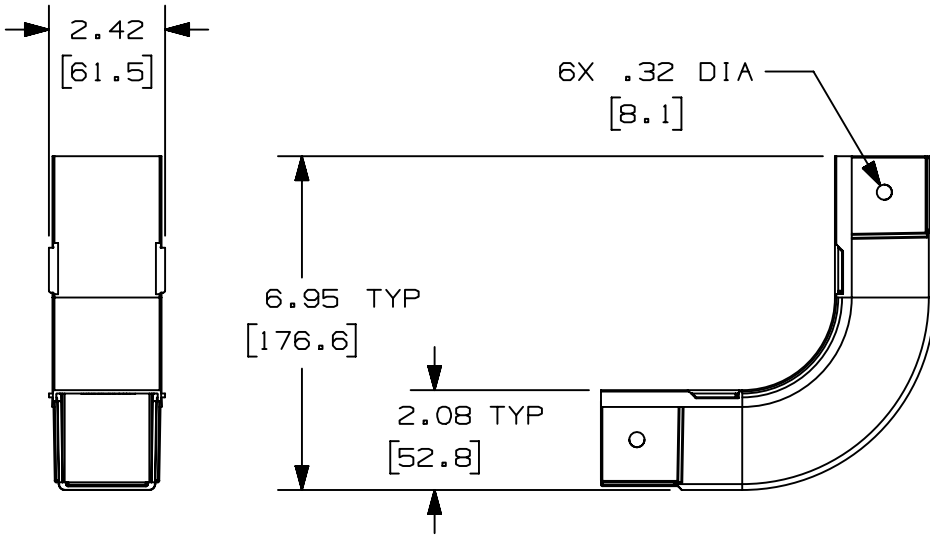
THIS COPY IS PROVIDED ON A RESTRICTED BASIS AND IS NOT TO BE USED IN ANY WAY DETRIMENTAL TO THE INTERESTS OF PANDUIT CORP.



NOTES:

1. SEE CURRENT CATALOG FOR ADDITIONAL PART SUFFIXES TO INDICATE COLOR AND/OR PACKAGE QUANTITY.
2. THE FIBER-DUCT 2x2 AND FIBERRUNNER 2x2 INSIDE VERTICAL RIGHT ANGLE FITTING IS DESIGNED WITH A MINIMUM 2" (50.8) BEND RADIUS TO PROTECT FIBER OPTIC CABLES.
3. PARTS SUPPLIED:
 (1) - COVER
 (1) - BASE
4. DIMENSIONS IN PARENTHESES ARE IN METRIC.

PANDUIT PART NUMBER	WEIGHT	MATERIAL
FIVRA2X2**	0.30 LB/EACH (135g/EACH)	ABS
FIVRA2X2L**	0.30 LB/EACH (135g/EACH)	PC/ABS



B

B

A

A

N\GLOBAL_ASIZE

03B	8/28/20	MEX-JAGC	DWR	DWR	ADDED PART NUMBER UPDATED DRAWING BORDER & TITLE BLOCK	V09002DZ/11			
REV	DATE	BY	CHK	APR	DESCRIPTION	ECN			

TITLE FIBER-DUCT 2x2 AND FIBERRUNNER 2x2 INSIDE VERTICAL RIGHT ANGLE FITTING - (FIVRA2X2**, FIVRA2X2L**)									
CUSTOMER DRAWING									
ITEM REVISION NAME D35245BW/03								PANDUIT	
DATASET FILE NAME D35245BW_DC/03B									
								MATERIAL: SEE PART NUMBER TABLE ABOVE	
								DRAWING NUMBER: 35245-23	
DRAWN BY PM		DATE 1/21/97		CHK CEF		SCALE NONE		THIRD ANGLE PROJECTION	
								SHT 1 OF 1	
								SIZE A	

2

1