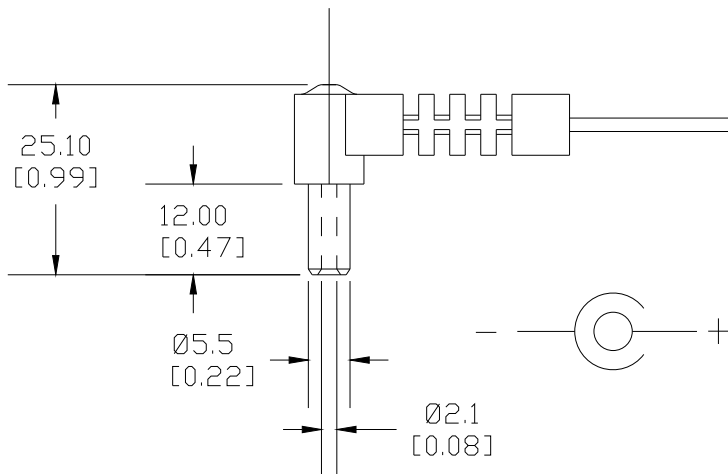
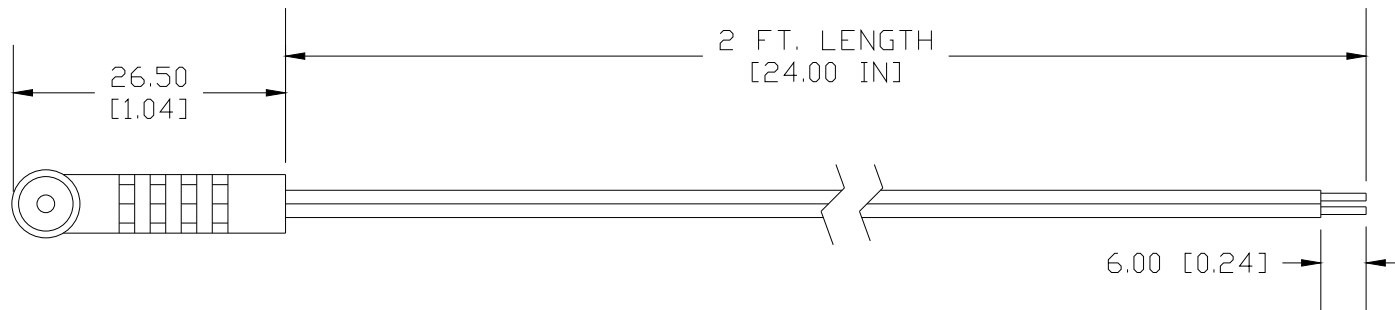



Date	SYM	REVISION RECORD	AUTH	DR.	CK.
02/01/03	A	(1) 29.50 was 31.00 (2) 28.00 was 30.00 (3) added 'zip' on jack	T.B.	B.S.	
08/06/14	B	Updated to ROHS 2 COMPLIANT	T.B.	B.S.	
09/08/17	C	Dim. 26.50 was 29.50 Dim. 25.10 was 28.00 Updated notes	T.B.	B.S.	
06/19/18	D	Added Dome on top of DC jack	T.B.	B.S.	



HOUSING: BLACK PVC
 CORD: UL 2468, SPT-1,300V, 105°C, 18 AWG
 AMP. RATING: 5A
 PASSES UL FLAME TEST VW-1
 CENTER IS POSITIVE CONTACT
 DC MOLDED PLUG: 2.1mm X 5.5mm
 ROHS 2 COMPLIANT

Tolerance (Inches)	 Memory Protection Devices, Inc 200 Broad Hollow Road, Farmingdale, New York 11735		
Decimal	±.5 (.020)	Scale	Drawn By B.S.
Fractional	± .8 (.030)	Approved By T.B.	
Angular	± 3°	Date	Drawing Number
		06/19/18	172-4207
Title		2.1mm DC MOLDED PLUG WITH 2' WIRE LEADS	