

THIS DRAWING IS UNPUBLISHED.

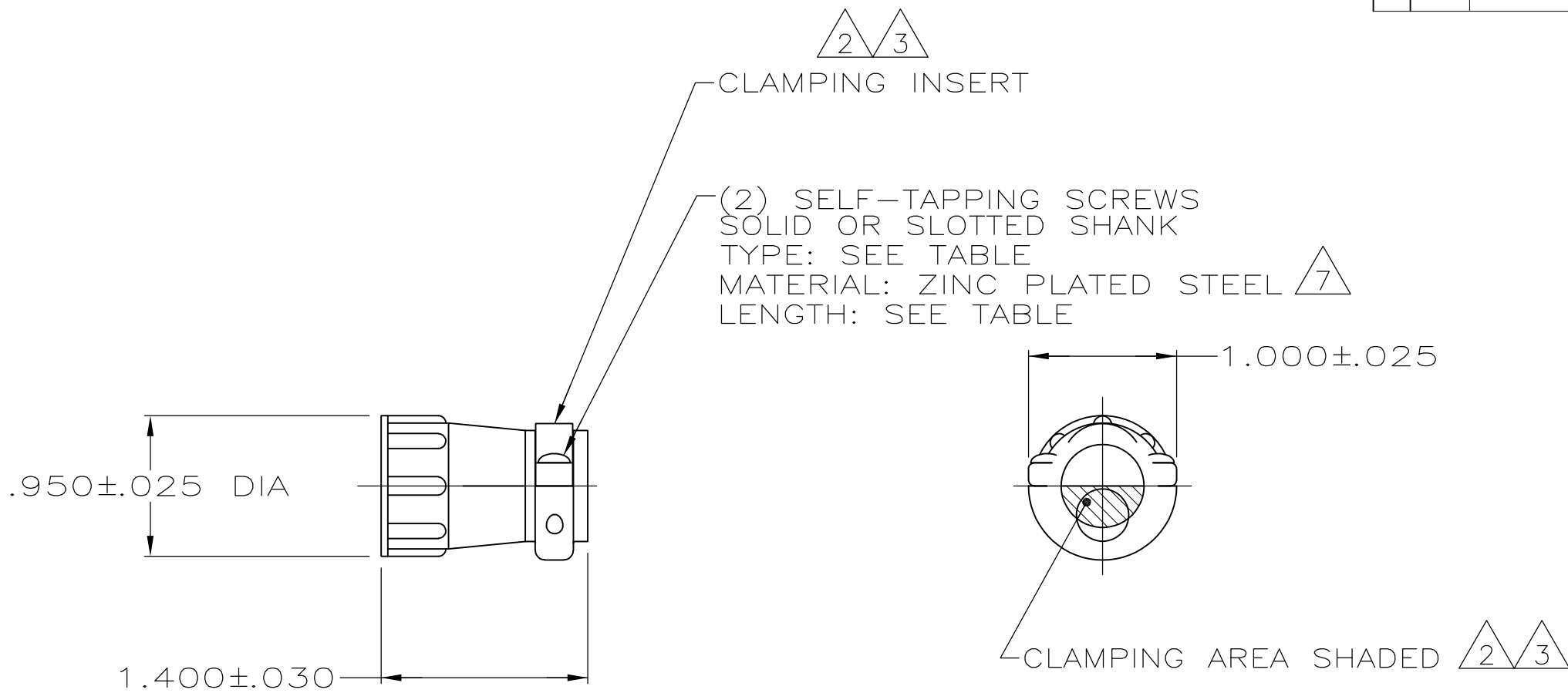
RELEASED FOR PUBLICATION

ALL RIGHTS RESERVED.

LOC FT DIST 0

REVISIONS

P	LTR	DESCRIPTION	DATE	DWN	APVD
	M3	REVISED PER ECO-11-004587	11MAR11	RK	HMR



	PACKAGING	SCREW LENGTH	SCREW TYPE	PART NUMBER
$\triangle 2 \triangle 7$ BULK		$.50 \pm .05$	#5-20	206966-9
$\triangle 8 \triangle 2 \triangle 7$ OBSOLETE SMALL PACK		$.50 \pm .05$	#5-20	206966-8
$\triangle 2 \triangle 7$ INDIVIDUAL		$.50 \pm .05$	#5-20	206966-7
$\triangle 8 \triangle 7$ OBSOLETE SMALL PACK		$.50 \pm .05$	#5-20	206966-6
$\triangle 2$ AMP BRAZIL USE ONLY INDIVIDUAL		$12\text{mm} \pm .8$	3mm-20	$\triangle 6$ 206966-5
	INDIVIDUAL	$.50 \pm .05$	#5-20	$\triangle 6$ 206966-4
$\triangle 7$ SUPERSEDED BY 206966-9	$\triangle 5$ BULK	$.50 \pm .05$	#5-20	206966-2
$\triangle 7$ SUPERSEDED BY 206966-7	INDIVIDUAL	$.50 \pm .05$	#5-20	206966-1

- 1 PARTS PACKAGED UNASSEMBLED.
- $\triangle 2$  CABLE CLAMPING AREA ADJUSTABLE FROM .010 TO .161 SQ IN BY REVERSING CLAMPING INSERTS. (2 INSERTS SUPPLIED).
- $\triangle 3$  CABLE CLAMPING AREA ADJUSTABLE FROM .010 TO .161 SQ IN BY CHANGING CLAMPING INSERTS. (4 INSERTS SUPPLIED, -4 ONLY).
- 4 .453 MAXIMUM CABLE OUTSIDE DIAMETER.
- $\triangle 5$  BULK PACKAGED KITS TO BE ORDERED IN MULTIPLES OF 200 ONLY.
- $\triangle 6$  OBSOLETE PART NUMBER.
- $\triangle 7$  ZINC PLATED NON-HEXAVALENT CHROMATE.
- $\triangle 8$  OBSOLETE PARTS: OBSOLETE CIS STREAMLINING PER D.RENAUD/D.SINISI

THIS DRAWING IS A CONTROLLED DOCUMENT.

DIMENSIONS: INCHES	TOLERANCES UNLESS OTHERWISE SPECIFIED:	DWN A GRAFF 4/23/91	TE Connectivity CABLE CLAMP KIT, STANDARD, SHELL SIZE 13, CPC
	0 PLC ± -	CHK W.G.LENKER 7-23-92	
	1 PLC ± -	APVD -	
	2 PLC ± -	PRODUCT SPEC 108-10024	
MATERIAL THERMOPLASTIC	FINISH -	APVD -	APPLICATION SPEC -
		WEIGHT -	SIZE A3 CAGE CODE 00779 DRAWING NO C-206966 RESTRICTED TO -
		CUSTOMER DRAWING	SCALE NTS SHEET 1 OF 1 REV M3