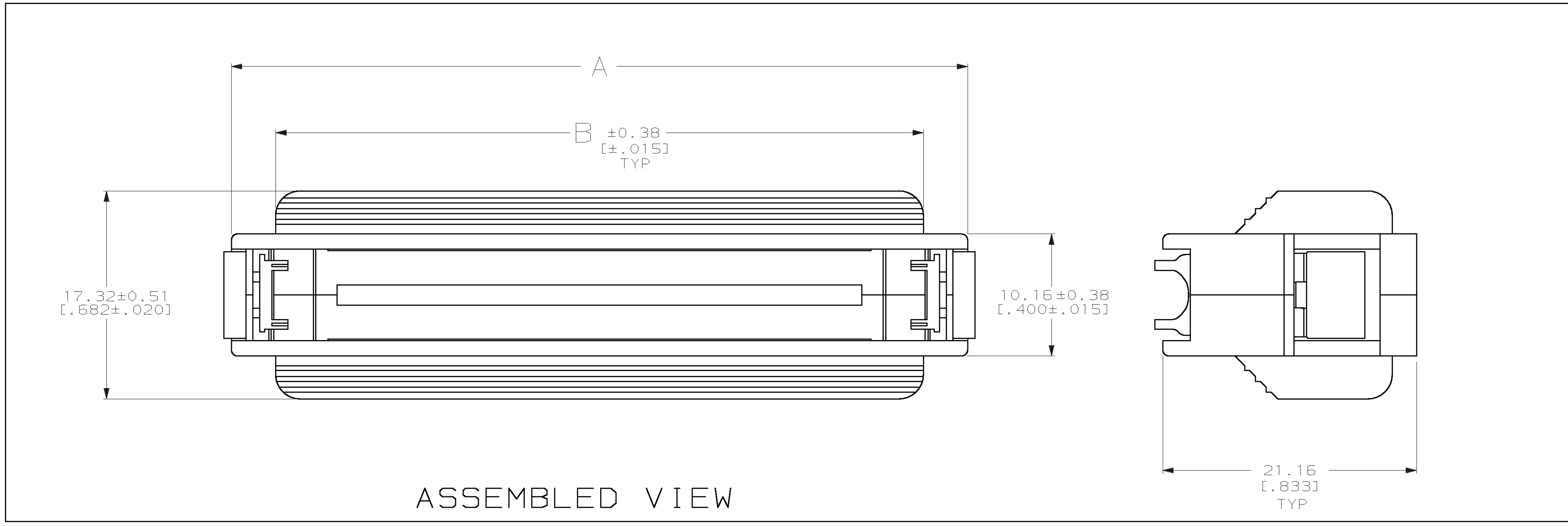


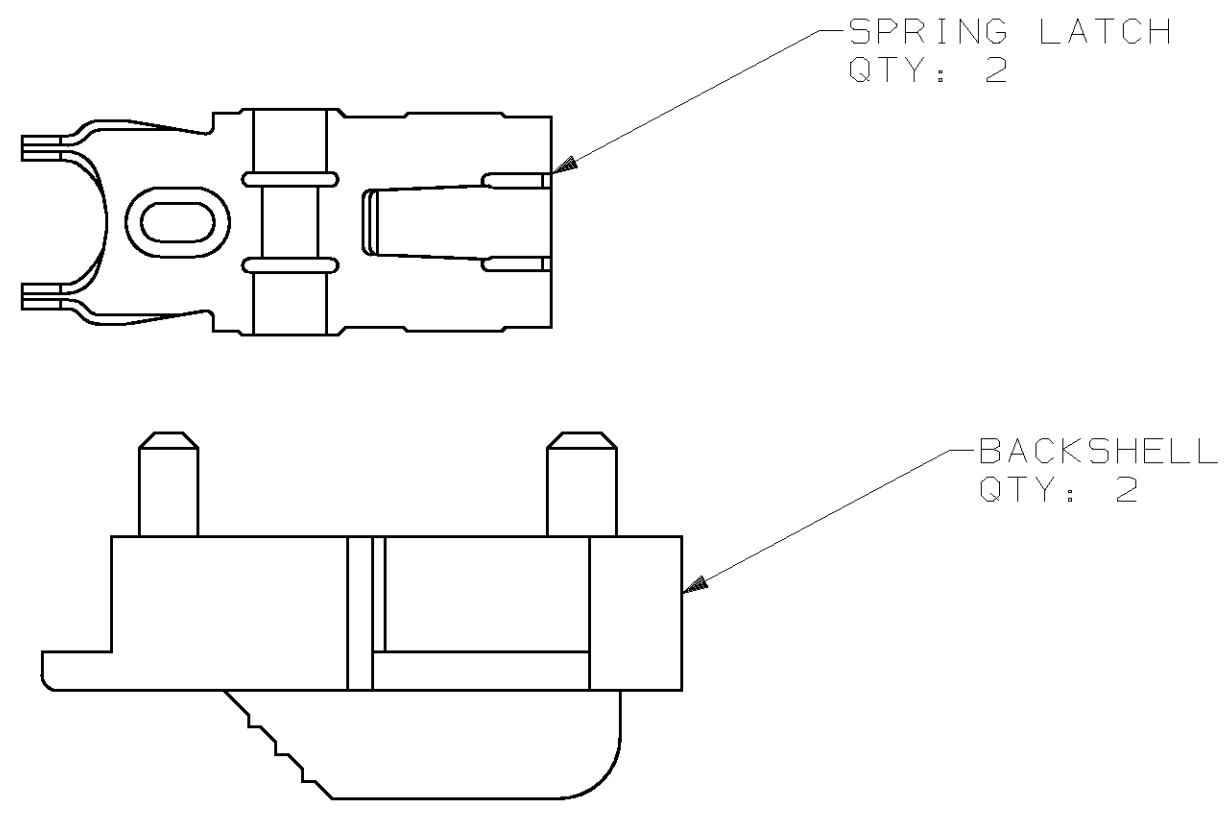
THIS DRAWING IS UNPUBLISHED. RELEASED FOR PUBLICATION ,19 .
 © COPYRIGHT 19 BY AMP INCORPORATED. ALL INTERNATIONAL RIGHTS RESERVED.

LOC	DIST	P	F	ZONE	LTR	DESCRIPTION	DATE	APPD
GP	00				B	REVISED PER EC 051C-0354-01	07MAY02	JG

① BACKSHELLS - ABS, BLACK, UL 94V-0 RATED.
 SPRING LATCHES - STAINLESS STEEL.



ASSEMBLED VIEW



	53.98 [2.125]	61.34 [2.415]	68	787032-7
OBSOLETE	42.54 [1.675]	49.91 [1.965]	50	787032-5
	B	A	NO OF POSN	PART NUMBER

		PART NO	
DO NOT SCALE PRINT. UNLESS SPECIFIED DIMENSIONS IN mm [INCHES] TOLERANCES ON : 2 PLC DEC ±0.13 [.005] 3 PLC DEC ± - ANGLES ± -	DR 09/21/93 CHAD BAKER CHK 09/27/93 R. STONE APPD 09/28/93 L. BREKOSKY APPD 09/28/93 J. ASSINI	AMP Incorporated Harrisburg, PA 17105-3608	
MATERIAL	①	NAME BACKSHELL KIT, UNASSEMBLED, WITH SPRING LATCHES, PLUG, .025CL, AMPLIMITE™ 50 SERIES	
FINISH	-	SIZE	CAGE CODE
		C	00779
		DRAWING NO	C=787032
		SCALE	4:1
		SHEET	1 OF 1

THIS DRAWING IS A CONTROLLED DOCUMENT FOR AMP INCORPORATED. IT IS SUBJECT TO CHANGE AND THE CONTROLLING ENGINEERING ORGANIZATION SHOULD BE CONTACTED FOR THE LATEST REVISION.