



Datasheet

SC-000854-DS

AS6040

Ultrasonic Flow Meters for Gas Meters

v2 • 2020-Aug-26

Content Guide

1	General Description	3	10.2	General Purpose I/O Unit	89
1.1	Key Benefits & Features.....	3	10.3	Pulse Interface.....	91
1.2	Applications	4	10.4	2-wire Master Interface.....	93
1.3	Block Diagram	5	11	CPU	95
2	Ordering Information	6	11.1	Registers and Accumulators	95
3	Pin Assignment	7	11.2	CPU Flags	96
3.1	Pin Diagram.....	7	11.3	Arithmetic Operations	96
3.2	Pin Description	8	11.4	Instruction Set.....	97
4	Absolute Maximum Ratings	10	11.5	Libraries and Pre-defined Routines	98
5	Electrical Characteristics	12	11.6	CPU Handling.....	101
5.1	Ultrasonic Frontend	14	11.7	Assembler.....	107
5.2	Time-to-Digital Converter	15	12	Memory and Register Description	110
5.3	Temperature Measuring Unit.....	15	12.1	Program Area	111
5.4	Supply Voltage Measuring Unit.....	16	12.2	Random Access Area (RAA).....	112
6	Timing Characteristics.....	17	12.3	Detailed Register Description.....	119
6.1	SPI Interface.....	18	13	Application Information.....	153
6.2	2-wire Master Interface.....	19	13.1	Schematic	153
7	Typical Operating Characteristics	21	13.2	Layout	154
8	Functional Description	23	13.3	External Components	154
8.1	System Concept	23	14	Package Drawings & Markings.	156
8.2	Functional Blocks Overview	24	15	Appendix	158
8.3	Digital Core.....	26	15.1	Notational Conventions	158
8.4	Ultrasonic Frontend (UFE)	38	15.2	Abbreviations.....	158
8.5	Ultrasonic Flow Measurement.....	50	15.3	Glossary.....	160
8.6	Temperature Measurement.....	66	15.4	CPU Commands in Detail.....	165
9	Special Functions.....	78	15.5	ROM Routines in Detail	189
9.1	Time Stamp (RTC)	78	15.6	Amplitude Calculation.....	204
9.2	Backup.....	78	15.7	Firmware Handling Procedures.....	204
9.3	Watchdog	79	15.8	Measurement Start in Time Conversion	Mode.....
9.4	Supply Voltage Measurement	80			211
9.5	Error Handling	80	16	Known Errors	213
9.6	Cyclic NVRAM Recall.....	82			
10	Interfaces	83			
10.1	Serial Interface	83			

1 General Description

AS6040 is an ultrasonic flow converter (UFC) solution dedicated to gas meters, but suitable for water meters, too. The system is made of four major blocks: supervisor, frontend, post processing and interface. The supervisor manages all tasks and is the master of the whole system, making the AS6040 autonomous. The front-end integrates a high-voltage driver, an integrated programmable gain amplifier (PGA) and an offset-stabilized comparator in the receive path, a precision TDC for the time-of-flight measurement, amplitude measurement as well as an RDC unit for temperature measurement. In flow meter mode, the 32-bit CPU in combination with 4k of ROM code and 4k of NVRAM does the post processing for flow calculation. In time conversion mode the CPU is not active and the chip sends the raw time-of-flight data. It communicates to an external microcontroller via SPI interface. By means of the integrated pulse interface the AS6040 can run also in stand-alone mode.

The analog front-end is supported by an integrated charge pump to provide a programmable fire voltage in the range from 5.6 V to 18 V with a frequency from 40 kHz up to 1 MHz. The integrated PGA gain factor can be adjusted from 2 to 132 V/V. The first hit level detection starts with a programmable offset up to 200mV. After this is set down to 0 mV, the AS6040 can measure up to 31 zero crossings within a single receive burst. The front end achieves in single shot less than 300 ps rms noise single shot with good 500kHz transducers. The first-hit pulse width information and the amplitude can be used to regulate the first hit level and maintain a stable operation over whole range for ultrasonic flow meters. It comes in a compact QFN48 package and allows compact designs thanks to a small number of external components.

1.1 Key Benefits & Features

The benefits and features of AS6040 are listed below:

Figure 1:
Added Value of Using AS6040

Benefits	Features
Single-chip solution provides ready flow information	High performance + ultra-low power 32-Bit CPU 120 * 32 bit NVRAM (non-volatile RAM) for user firmware parameter & data
System design compatible with mechanical meters	3968 * 8 bit NVRAM (non-volatile RAM) for user firmware program code
High flexibility in choice for external μ P handling communication and further data management	4k * 8 bit ROM for system task code and special flow library code

Benefits	Features
Operation from Battery Precision down to low flow rates Leakage detection Handles weak signals for small transducers and multiple reflections	On-chip charge pump to generate drive voltage for ultrasonic transducer 40 kHz to 1 MHz at 5.6 V to 17.8 V drive voltage, generated from battery supply Integrated PGA, gain 2 to 132 V/V First hit level and phase detection Amplitude measurement Up to 31 zero crossing measurements Precision time-to-digital converter and low-noise front-end with < 300 ps single shot with good 500kHz transducers on a residential gas meter Ultra-low power consumption
Compact design Low BOM	SPI serial interface General Purpose I/O Unit incl. pulse interface and 2-wire master interface (I2C like) Supply voltage 2.8V to 3.6 V 3.0 to 3.6 V NVRAM store only Operating temperature -40 to 85°C QFN48 package (7 x 7mm ²)

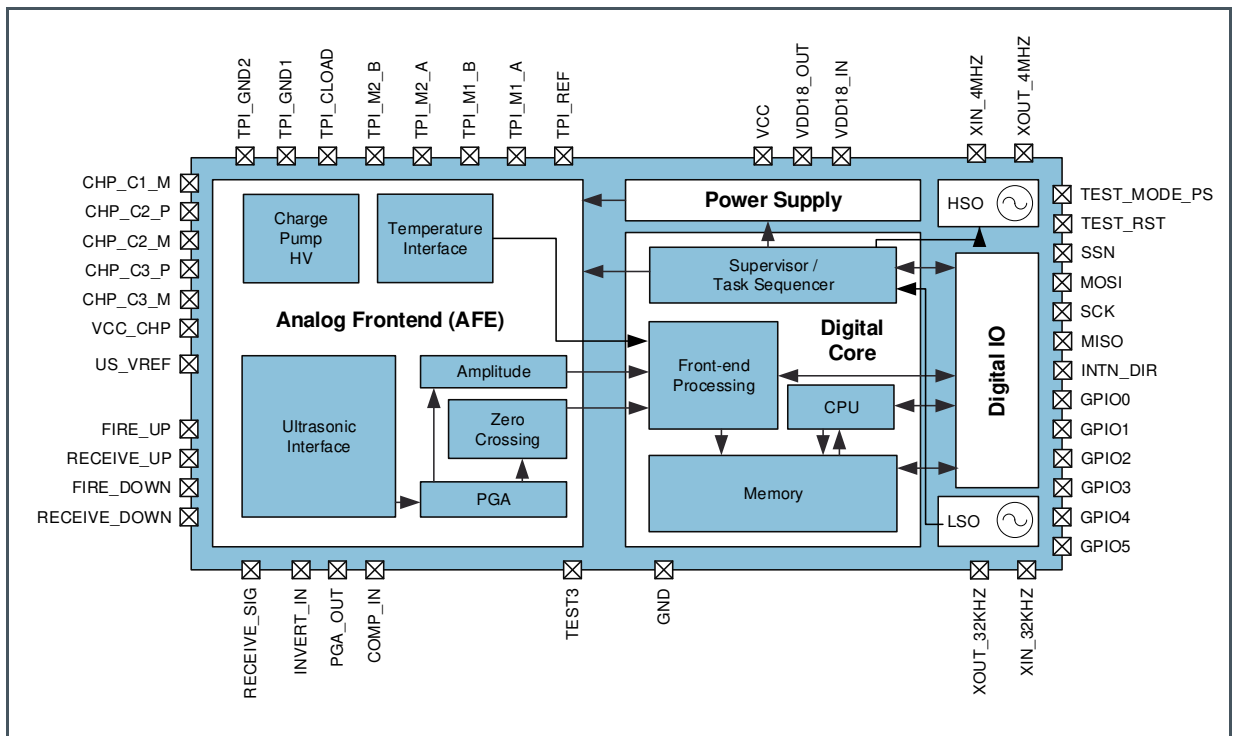
1.2 Applications

- Residential gas meters
- Industrial gas meters
- Clamp-on water meters
- Volume counters

1.3 Block Diagram

The functional blocks of this device are shown below:

Figure 2 :
Functional Blocks of AS6040



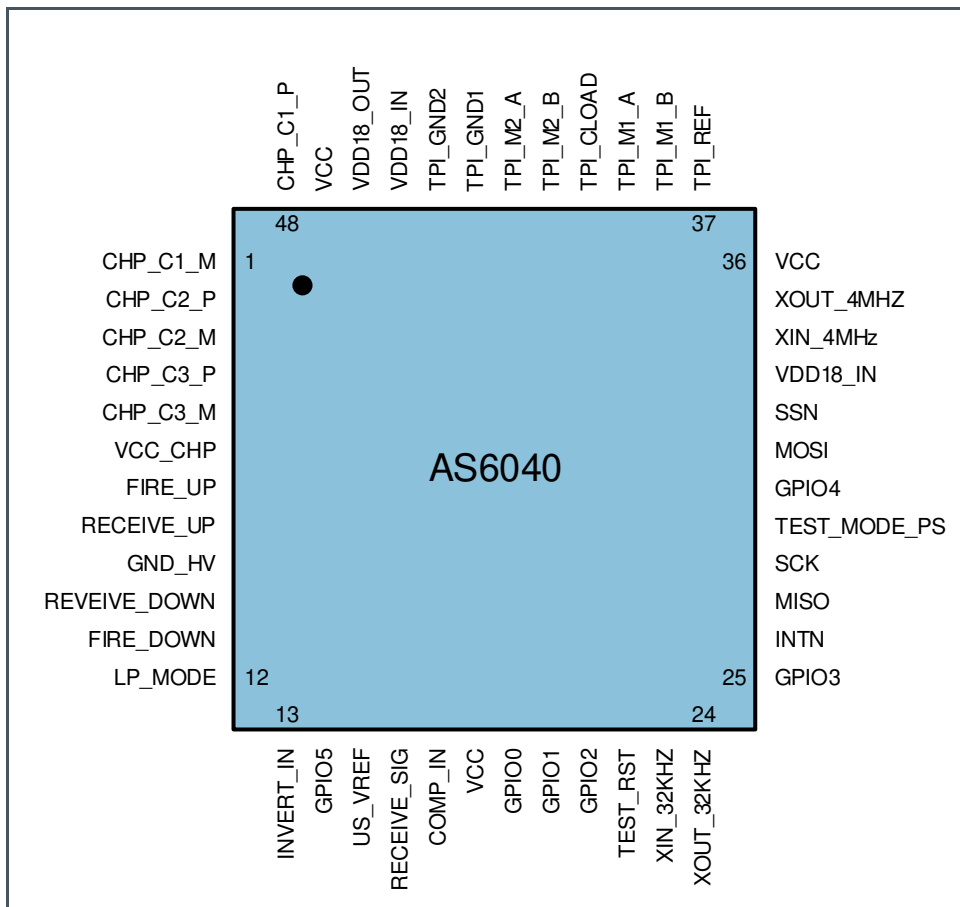
2 Ordering Information

Ordering Code	Package	Marking	Delivery Form	Delivery Quantity
AS6040-BQFM	QFN48	AS6040 BQF	Tape & Reel	500 pcs/reel

3 Pin Assignment

3.1 Pin Diagram

Figure 3:
AS6040 Pin Diagram



3.2 Pin Description

Figure 4:
Pin Description of AS6040

Pin Number	Pin Name	Pin Type ⁽¹⁾	Description
1	CHP_C1_M	HVAIO	Charge pump capacitor 1-
2	CHP_C2_P	HVAIO	Charge pump capacitor 2+
3	CHP_C2_M	HVAIO	Charge pump capacitor 2-
4	CHP_C3_P	HVAIO	Charge pump capacitor 3+
5	CHP_C3_M	HVAIO	Charge pump capacitor 3-
6	VCC_CHP	HVAIO	Charge pump out
7	FIRE_UP	HVAIO	Fire up
8	RECEIVE_UP	HVAIO	Receive up
9	GND_HV	S	High voltage ground
10	RECEIVE_DOWN	HVAIO	Receive down
11	FIRE_DOWN	HVAIO	Fire down
12	LP_MODE	DI	Low Power Mode, fix internal pull-up
13	INVERT_IN	AIO	Inverting input of PGA
14	GPIO5	DIO	General Purpose 5
15	US_VREF	AIO	Ultrasonic Reference Voltage
16	RECEIVE_SIG	AIO	Receive Signal
17	COMP_IN	AIO	Comparator Input
18	VCC	S	IO & Analog Supply
19	GPIO0	DIO	General Purpose 0
20	GPIO1	DIO	General Purpose 1
21	GPIO2	DIO	General Purpose 2
22	TEST_RST	DI	Test Reset, must be connected to GND
23	XIN_32KHZ	AIO	Low Speed Oscillator
24	XOUT_32KHZ	AIO	Low Speed Oscillator
25	GPIO3	DIO	General purpose 3
26	INTN	DO	Interrupt
27	MISO	DO	SPI: Slave Out
28	SCK	DI	SPI: Serial Clock
29	TEST_MODE_PS	DI	Test Mode Power Supply, fix internal pull-down
30	GPIO4	DIO	General Purpose 4

Pin Number	Pin Name	Pin Type ⁽¹⁾	Description
31	MOSI	DI	SPI: Slave In
32	SSN	DI	SPI: Slave Select
33	VDD18_IN	S	VDD18 Digital Core Supply
34	XIN_4MHZ	AIO	High Speed Oscillator
35	XOUT_4MHZ	AIO	High Speed Oscillator
36	VCC	S	IO & Analog Supply
37	TPI_REF	AIO	Temperature Interface: Ref. Port
38	TPI_M1_B	AIO	Temperature Interface: Port M1 B
39	TPI_M1_A	AIO	Temperature Interface: Port M1 A
40	TPI_CLOAD	AIO	Temperature Interface: Port CLOAD
41	TPI_M2_B	AIO	Temperature Interface: Port M2 B
42	TPI_M2_A	AIO	Temperature Interface: Port M2 A
43	TPI_GND1	AIO	Temperature Interface: Ground1
44	TPI_GND2	AIO	Temperature Interface: Ground2
45	VDD18_IN	S	VDD18 Digital Core Supply
46	VDD18_OUT	S	VDD18 Voltage Regulator Output
47	VCC	S	IO & Analog Supply
48	CHP_C1_P	HVAIO	Charge pump capacitor 1+

(1) Explanation of abbreviations:

DI	Digital Input	AIO	Analog Input/Output
DO	Digital Output	S	Supply
DIO	Digital Input/Output		

(2) For standalone operation without external controller, the unconnected inputs should be configured with internal pull up by SPI_INPORT_CFG in CR_IFC_CTRL.

4 Absolute Maximum Ratings

Stresses beyond those listed under “Absolute Maximum Ratings” may cause permanent damage to the device. These are stress ratings only. Functional operation of the device at these or any other conditions beyond those indicated under “Operating Conditions” is not implied. Exposure to absolute maximum rating conditions for extended periods may affect device reliability.

Figure 5
Absolute Maximum Ratings of AS6040

Symbol	Parameter	Min	Max	Unit	Comments
Electrical Parameters					
V_{CC}	Supply Voltage to Ground	-0.3	4.0	V	
V_{oth}	All other Pins Voltage to Ground	-0.3	$V_{CC} + 0.6$	V	
V_{CHP}	Charge Pump Pins to Ground	-0.3	20	V	
Electrostatic Discharge					
ESD_{HBM}	Electrostatic Discharge HBM		$\pm 1k$	V	JS-001-2017
ESD_{CDM}	Electrostatic Discharge CDM		$\pm 0.5k$	V	JS-002-2018
Temperature Ranges and Storage Conditions					
T_{STRG}	Storage Temperature Range	- 55	150	°C	
T_{BODY}	Package Body Temperature		260	°C	IPC/JEDEC J-STD-020 ⁽¹⁾
RH_{NC}	Relative Humidity (non-condensing)	5	85	%	
MSL	Moisture Sensitivity Level		1		Maximum floor life time of 168h
t_{STRG_DOF}	Storage Time for DOF/Die or Wafers on Foil		3	months	Refers to indicated date of packing
T_{STRG_DOF}	Storage Temperature for DOF/Die or Wafers on Foil	17	28	°C	
RH_{OPEN_DOF}	Relative Humidity for DOF/Die or Wafers on Foil in Open Package		15	%	Opened package
RH_{UNOPEN_DOF}	Relative Humidity for DOF/Die or Wafers on Foil in Sealed Package	40	60	%	Sealed bag
t_{STRG_WP}	Storage Time for WP/Wafers or Die in Waffle Pack		6	months	17 °C – 28 °C 40 % – 60 % relative humidity storage in original Ultrapack boxes
t_{STRG_WP}	Storage Time for WP/Wafers or Die in Waffle Pack		2	years	19 °C – 25 °C <15 % relative humidity storage in closed cabinet with dry air

Symbol	Parameter	Min	Max	Unit	Comments
t_{STRG_WP}	Storage Time for WP/Wafers or Die in Waffle Pack		5	years	19 °C – 25 °C <5 % relative humidity storage in closed cabinet with dry air
t_{STRG_WP}	Storage Time for WP/Wafers or Die in Waffle Pack		10	years	19 °C – 25 °C <5 % relative humidity storage in closed cabinet and closed Ultrapak box with safeguarded Nitrogen atmosphere
Bump Temperature (soldering)					
T_{PEAK}	Peak Temperature	235	245	°C	Solder Profile
t_{WELL}	Well Time above 217 °C	30	45	s	

- (1) The reflow peak soldering temperature (body temperature) is specified according to IPC/JEDEC J-STD-020 “Moisture/Reflow Sensitivity Classification for Nonhermetic Solid State Surface Mount Devices.” The lead finish for Pb-free leaded packages is “Matte Tin” (100 % Sn)

5 Electrical Characteristics

Electrical characteristics and operating conditions indicate conditions for which the device is functional, but do not guarantee specific performance limits. Test conditions for guaranteed specification are expressly denoted.

All data given at $V_{CC} = 3.0 \text{ V} \pm 0.3 \text{ V}$, ambient temperature $-40 \text{ }^{\circ}\text{C}$ to $85 \text{ }^{\circ}\text{C}$ unless otherwise specified.

Notes (a) to (e) that describe the test levels are valid for the whole sections 5 and 6.

Figure 6:
Recommended operating conditions of AS6040

Symbol	Parameter	Conditions	Min	Typ	Max	Unit
Power Supply						
V_{CC}	Supply Voltage to Ground ^(a)	All operations besides NVRAM store	2.8	3.0	3.6	V
		Only for NVRAM store	3.0	3.0	3.6	V
V_{DD18}	Core Voltage to Ground ^(a)		1.71	1.8	1.89	V
V_{CHP_OUT}	HV Charge Pump Voltage ^(a)		5.6		17.8	V
T_A	Operating ambient temperature		-40		+85	$^{\circ}\text{C}$
Oscillators						
f_{LSO}	Low speed oscillator (LSO) frequency ^(e)			32.768		kHz
f_{HSO}	High-speed oscillator (HSO) frequency ^(e)	Other frequencies in the range from 2 MHz to 8.8 MHz may be possible with limitations	3.6	4	4.4	MHz
			7.2	8	8	MHz
f_{SPI}	SPI Interface Clock Frequency ^(d)				8	MHz
f_{TOF}	TOF measurement frequency ^(e)	$f_{TOF} = \frac{1}{(TOF_RATE * t_{cycle})}$	0.004	1 to 8	80 ⁽¹⁾	Hz
t_{cycle}	Measurement rate cycle time ^(d)	Measurement cycle time 1 LSB = LP_MODE = 0: 1 ms LP_MODE = 1: 976.5625 μs			1024 1000	ms

- (a) 100% production tested
- (b) 100% production tested at 85°C wafer sort and guaranteed by design and characterization at specified temperatures.
- (c) Sample tested only
- (d) Parameter is guaranteed by design and characterization testing
- (e) Parameter is a typical value only
- (1) Maximum value with limited functionality only, e.g. no 20 ms delay between up and down measurements.

Figure 7:
DC Characteristics ($V_{CC} = 3.0\text{ V}$, $T_j = -40\text{ to }+85\text{ }^\circ\text{C}$) of AS6040

Symbol	Parameter	Conditions	Min	Typ	Max	Unit
I_{Standby}	Supply current only 32 kHz, Standby mode ^(e)	only 32 kHz oscillator running @ 25 °C, $V_{CC} = 3.6\text{ V}$ $= 3.0\text{ V}$		3.6 2.2		μA
		with ref. Charge Pump running @ 25 °C $V_{CC} = 3.0\text{ V}$ $V_{CC_CHP} = 5.6\text{ V}$ 3.0 V 17.3 V		2.6 3.15		
I_{HS}	Operation current 4 MHz oscillator ^(e)	$V_{CC} = 3.6\text{ V}$ $= 3.0\text{ V}$		80 65		μA
		off		<1		
I_{tmu}	Current into time measuring unit ^(e)	Only during active TOF time measurement		1.3		mA
I_{PGA}	Current into PGA ^(e)	When active		0.9		mA
I_{O}	Average operating current ^(e)	500kHz, 179 μs ToF, 22 pulses, $V_{CC} = 3\text{ V}$ HV = 5.6 V, 2/s HV = 5.6 V, 8/s HV = 13.2 V, 2/s		7.15 15.2 21		μA
V_{oh}	High level output voltage ^(a)	$I_{\text{oh}} = 4\text{ mA}$	$V_{CC} - 0.4$			V
V_{ol}	Low level output voltage ^(a)	$I_{\text{oh}} = 4\text{ mA}$			0.4	V
V_{ih}	Logic high level input voltage ^(a)	for proper logic function for low leakage current	$0.7 \cdot V_{CC}$ $V_{CC} - 0.2$			V
V_{il}	Logic low level input voltage ^(a)	for proper logic function for low leakage current			$0.3 \cdot V_{CC}$ 0.2	V

Figure 8:
Terminal Capacitance

Symbol	Terminal	Conditions	Min	Typ	Max	Unit
C_i	Digital input ^(e)	measured @ $V_{CC} = 3.0\text{ V}$ $f = 1\text{ MHz}$, $T_a = 25\text{ }^\circ\text{C}$		7		pF
C_o	Digital output ^(e)			7		
C_{io}	Bidirectional ^(e)			7		

Figure 9:
NVRAM

Symbol	Parameter	Conditions	Min	Typ	Max	Unit
	Data Retention ^(d)	@ 85 °C, V _{CC} = 3.0 ⁽¹⁾ to 3.6 V		20		Years
	Endurance ^(d)	@ 25 °C, V _{CC} = 3.0 ⁽¹⁾ to 3.6 V		10 ⁵		Cycles
		@ 85 °C, V _{CC} = 3.0 ⁽¹⁾ to 3.6 V		10 ⁴		Cycles

(1) Lower limit of 3.0V is valid only for STORE. Can be lower during operation without store.

5.1 Ultrasonic Frontend

Figure 10:
Ultrasonic Frontend

Symbol	Parameter	Conditions	Min	Typ	Max	Unit
	Received Signal Amplitude at COMP_IN w/o PGA ^(d)	Signal Offset = V _{REF}	±100	±400	±V _{REF}	mV
	Received Signal Amplitude at COMP_IN with PGA ^(d)	Signal Offset = V _{REF}	±100	±400	±600	mV
	Accuracy, Amplitude Measurement ^(e)			±10 ⁽²⁾		mV
t _{amp_ini}	Amplitude Measurement Initialization Time ^(e)	3.3V @ 25°C 3.3V @ -40°C		18 45		µs
V _{FHL_STEP}	Input Offset/Level Step size	At COMP_IN		0.879		mV
V _{FHL_LEVEL}	Limits	At COMP_IN	0		175	mV
V _{REF}	Reference Voltage			0.7		V
	Transducer Impedance Termination Resistor		50		1500	Ω
			200		-	Ω
f _{fire}	Typical Fire buffer frequency ^(d)		0,04		1	MHz
g _{PGA}	PGA gain (selectable by PGA_TRIM) ^(d)	DC @ 25 °C		2 to 132		V/V
e _n	PGA Noise, referred to input	10kHz to 500MHz		70		µV _{rms}
V _{OS}	PGA output offset voltage	After auto-zero		1	5	mV
	Comparator input offset voltage (calibrated by Zero ^(e) Cross Calibration)				1.6	mV

- (1) Without external load
- (2) Only when the sample & hold ends in the phase of maximum amplitude or the receive burst.

5.2 Time-to-Digital Converter

Figure 11:
Time Measuring Unit ($V_{CC} = 3.0\text{ V}$, $T_j = 25\text{ }^\circ\text{C}$)

Symbol	Parameter	Conditions	Min	Typ	Max	Unit
LSB	TDC Resolution ^(e)	Single-shot		22		
	LSB (output format)	@ 4 MHz HSO @ 8 MHz HSO		4 2		ps
t_m	Measurement range ^(d)	TOF measurement	10		1000	μs
t_m	Measurement range ^(d)	Temperature interface measurement	10		1024	μs

5.3 Temperature Measuring Unit

Figure 12:
Temperature Measuring Unit ($V_{CC} = 3.0\text{ V}$, $T_j = 25\text{ }^\circ\text{C}$)⁽¹⁾

Symbol	Parameter	Conditions	Min	Typ	Max	Unit
	Resolution RMS ^(e)	PT500, PT1000		17		Bit
	Gain-Drift ⁽²⁾ vs. V_{CC}	PT500, PT1000		0.01		%/V
	Gain-Drift ⁽²⁾ vs. Temperature ^(e)	PT500		< 4		ppm/K
		PT1000		< 2		
	Initial Zero Offset ^(e) $T_{ref} \leftrightarrow (T_{cold}, T_{hot})$	PT500		< 40		mK
		PT1000		< 20		

- (1) 2-Wire measurement with compensation of $R_{ds(on)}$ and gain (Schmitt trigger). All values measured at $C_{load} = 100\text{ nF}$ for PT1000 and 200 nF for PT500 (COG-type)
- (2) Compared to an ideal gain of 1.0

5.4 Supply Voltage Measuring Unit

Figure 13:
Supply Voltage Measuring Unit

Symbol	Parameter	Conditions	Min	Typ	Max	Unit
	Measurement Range ^(d)		2.15		3.725	V
	Resolution ^(e)	1 LSB		25		mV
	Accuracy ^(d)	T _a = 25 °C		± 50		mV
		T _a = whole range		± 150		

6 Timing Characteristics

At $V_{CC} = 3.0\text{ V} \pm 0.3\text{ V}$, ambient temperature $-40\text{ }^{\circ}\text{C}$ to $85\text{ }^{\circ}\text{C}$ unless otherwise specified.

Figure 14:
Oscillator specifications

Symbol	Parameter	Min	Typ	Max	Unit
$f_{LSO}^{(e)}$	32 kHz reference oscillator at frequency f_{LSO}		32.768		kHz
$t_{LSO_ST}^{(e)}$	32 kHz oscillator start-up time after power-up		< 1		Sec.
$f_{HSO}^{(e)}$	High-speed reference oscillator at frequency f_{HSO}		4 (8)	8	MHz
$t_{HSO_CER_ST}^{(e)}$	Oscillator start-up time with ceramic resonator		< 100		μs
$t_{HSO_CRY_ST}^{(e)}$	Oscillator start-up time with crystal oscillator (not recommended)		3		Ms
$f_{PS_CLK}^{(e)}$	Power supply clock. Used during power on to release cyclic measurement and for watchdog		8.7		kHz



Information

We strongly recommend to use a ceramic oscillator for HSO_CLK, because it has a shorter settling time which saves current and it is lower in cost. The precision is sufficient thanks to the calibration against the 32kHz quartz.

Figure 15:
Power-on Timings

Symbol	Parameter	Min	Typ	Max	Unit
$t_{VDD18_STB}^{(d)}$	Time when VDD18 is stable after power on of V_{CC} ($C_L=100\mu\text{F}$ on VDD18_OUT)			20	ms
$t_{RC_RLS}^{(d)}$	Time when remote communication is released after power on of V_{CC} (POR in analog and digital part finished)		37	94	ms
$t_{MC_RLS}^{(d)}$	Start-up time after power-on. Time before cycle measurements are released	85 $^{\circ}\text{C}$ 25 $^{\circ}\text{C}$ -40 $^{\circ}\text{C}$	1.42	1.63 2.09 3.63	s



Information

During Power-on time, excess currents in the mA-range have to be considered. The charge pump is initially uploading during start-up time. V_{CC} and V_{DD18} have to be 0V before applying the supply voltage (e.g. In case of battery change).

6.1 SPI Interface

Figure 16:
SPI Timings

Symbol	Parameter	Min	Typ	Max	Unit
f_{SCK}	Serial clock frequency			8	MHz
t_{SCK}	Serial clock time period	125			ns
t_{pwh}	Serial clock, pulse width high	$0.45 * t_{SCK}$			ns
t_{pwl}	Serial clock, pulse width low	$0.45 * t_{SCK}$			ns
t_{sussn}	SSN enable to valid latch clock	$0.5 * t_{SCK}$			ns
t_{hssn}	SSN hold time after SCK falling	$0.5 * t_{SCK}$			ns
t_{pwssn}	SSN pulse width between two cycles	t_{SCK}			ns
t_{sud}	Data set-up time prior to SCK falling	5			ns
t_{hd}	Data hold time before SCK falling	5			ns
t_{vd}	Data valid after SCK rising			25	ns

The serial interface is SPI compatible, with clock phase bit =1 and clock polarity bit =0. It's strongly recommended to keep SSN = HIGH when SPI interface is in IDLE state.

Figure 17:
SPI Write

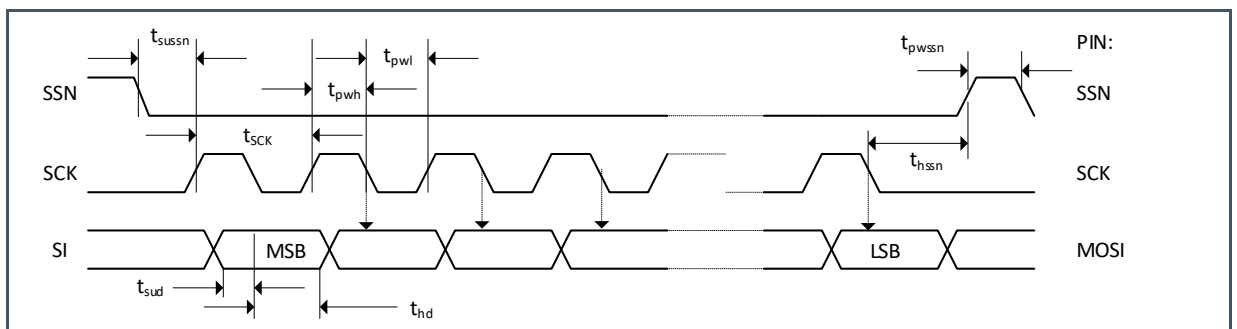
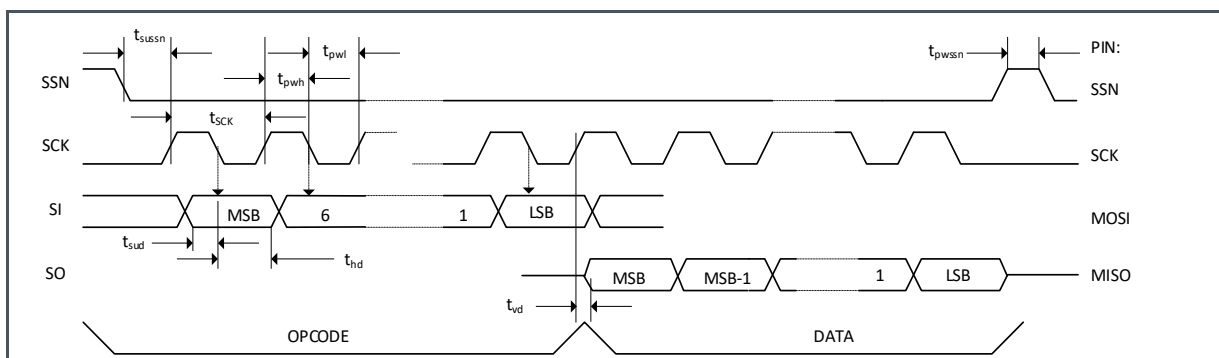


Figure 18:
SPI Read



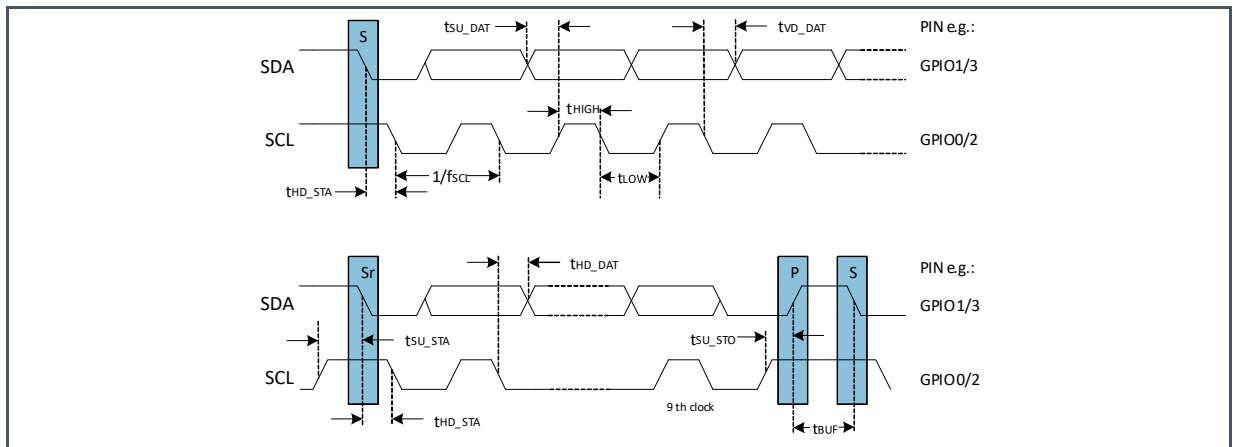
6.2 2-wire Master Interface

The integrated 2-wire master interface is very similar to I²C, but not following the full I²C specification. It can be used to communicate with an external EEPROM, but also any other external device like e.g. a pressure sensor.

Figure 19:
2-wire Master Timings ($f_{HSO} = 4$ MHz)

Symbol	Parameter	Min	Typ	Max	Unit
f_{SCL}	SCL clock frequency			400	kHz
t_{LOW}	Low period of SCL clock	1300	1500		ns
t_{HIGH}	High period of SCL clock	600	1000		ns
t_{HD_STA}	Hold time for (repeated)	600	1000		ns
t_{SU_STA}	START condition (S & Sr)	600	750		ns
t_{SU_DAT}	Setup time for repeated	100	750		ns
t_{HD_DAT}	START condition (Sr)	0	750		ns
t_{VD_DAT}	Setup time data		750	900	ns
t_{SU_STO}	Hold time data	600	1750		ns
t_{BUF}	Valid time data	1300			ns

Figure 20:
2-wire Master Interface Timing



A detailed description of the 2-wire interface is given in section 10.4 2-wire Master Interface.

7 Typical Operating Characteristics

Figure 21:
Typical Current Consumption vs. Sample Rate ($V_{CC} = 3.0V$, ToF sum: 165 us, 500 kHz Transducer, no CPU and CPU w. simple FW for phase jump detection)

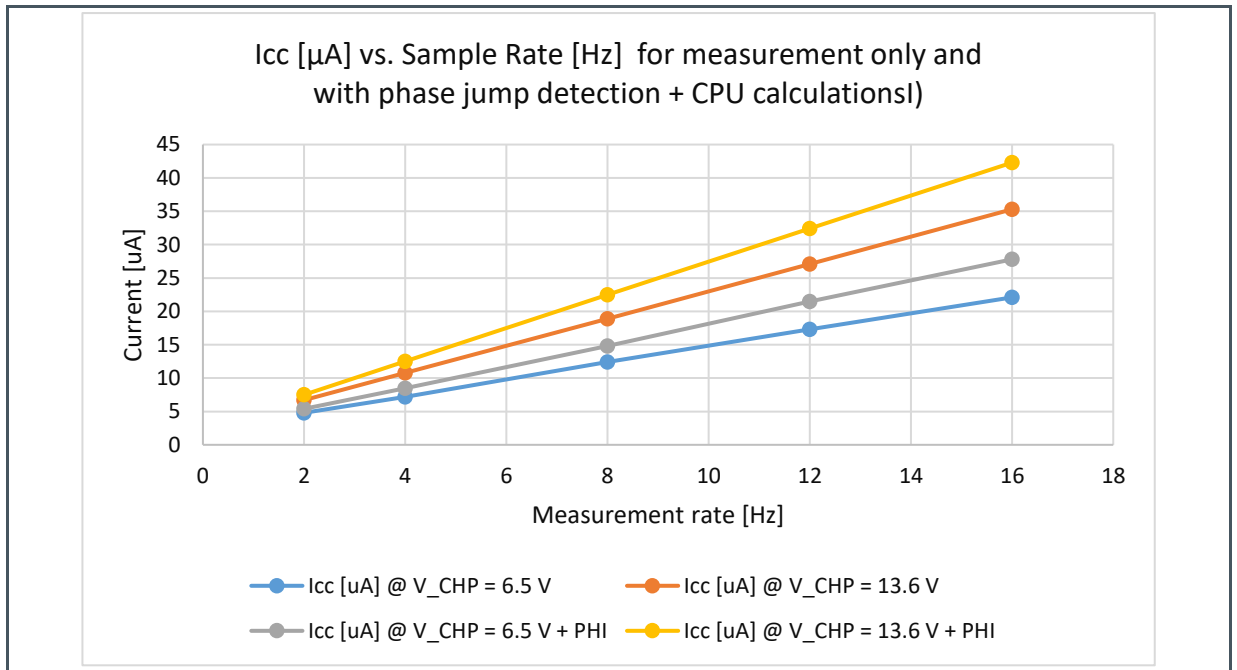


Figure 22:
Typical dependency of current consumption and receive amplitude by transducer termination resistor for a 200 kHz spoolpiece

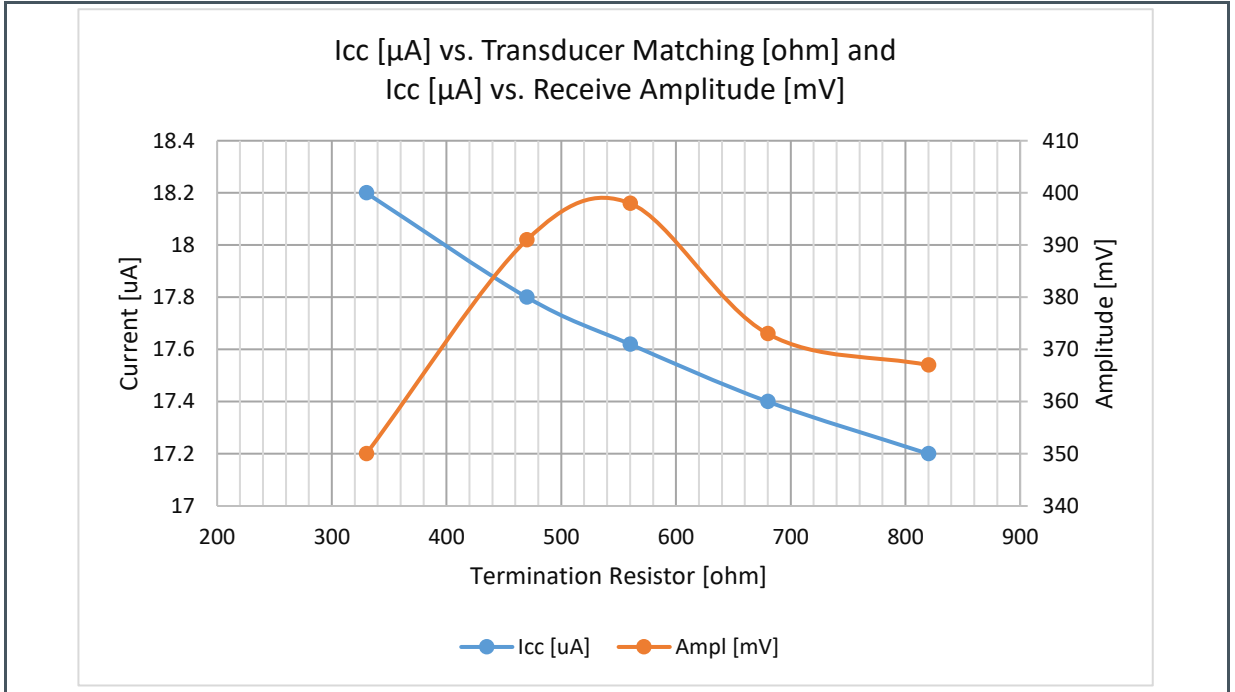
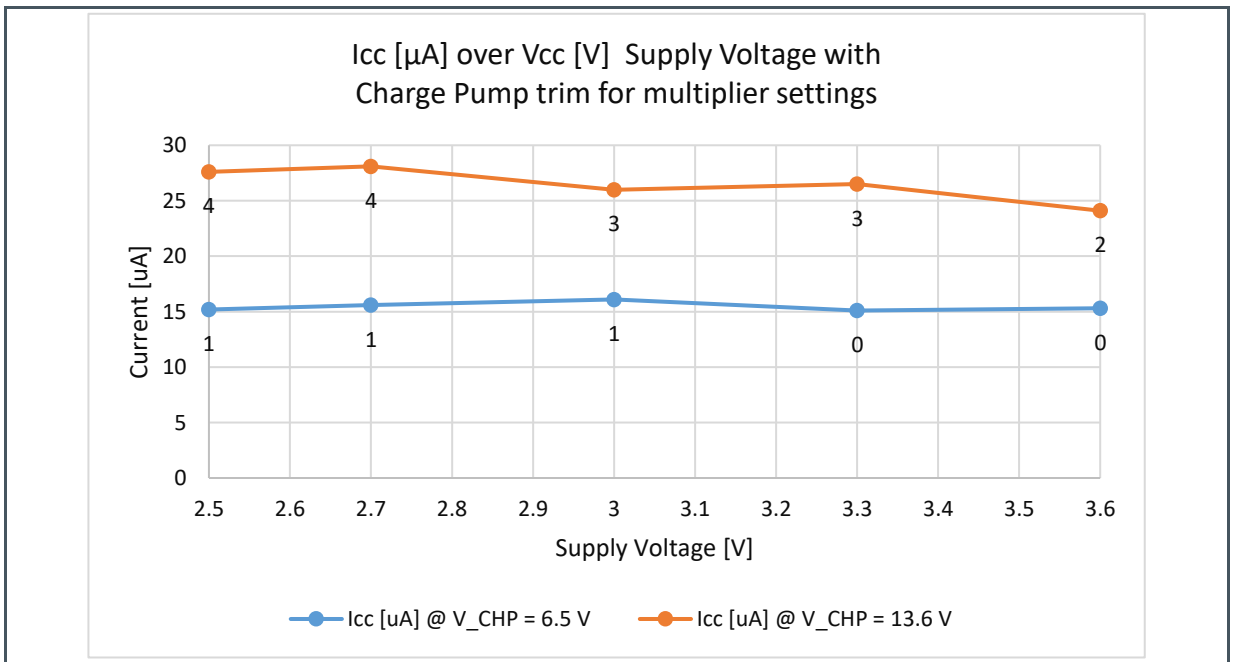


Figure 23:
Typical dependency of current consumption over power supply voltage. This has influence to the Charge Pump multiplier settings. Vcc = 3.0V, ToF sum: 165 us, 500 kHz Transducer, no CPU



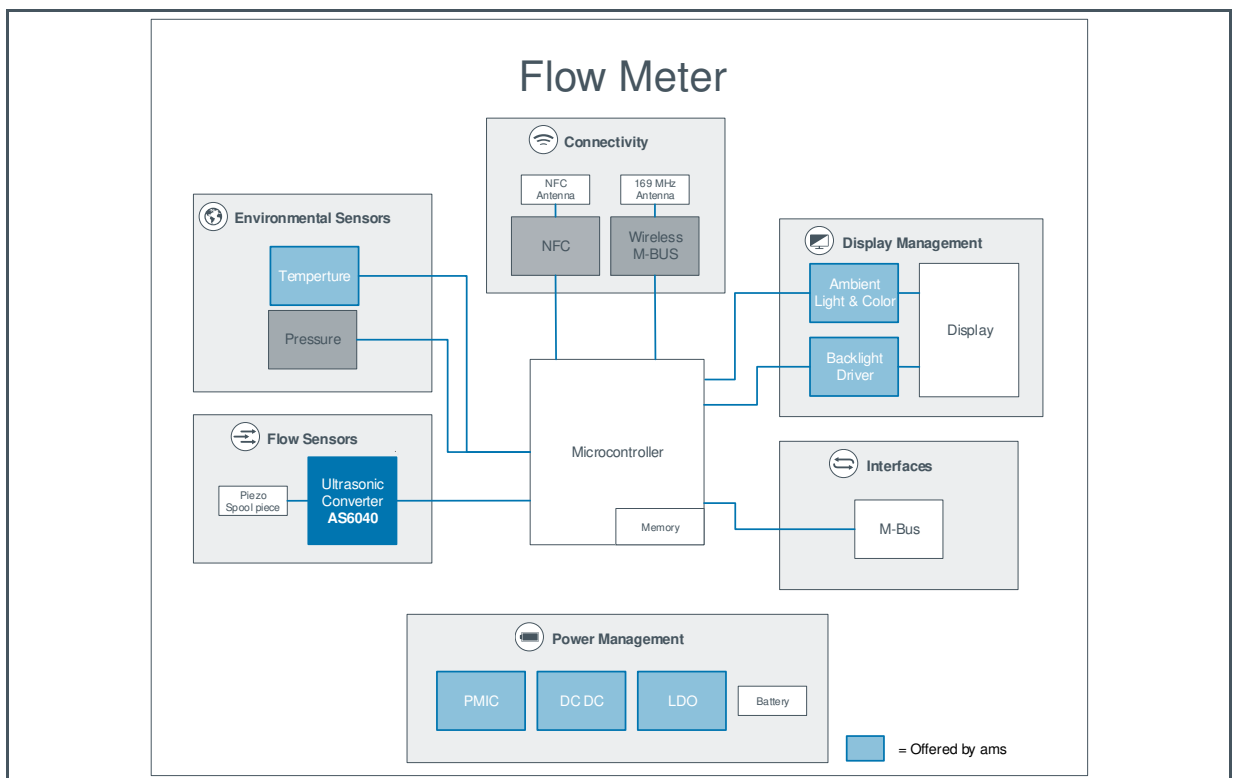
8 Functional Description

8.1 System Concept

AS6040 is a complete ultrasonic flow converter (UFC) to measure and calculate the flow in a time-of-flight based ultrasonic water or heat meter. This includes the driver for the piezoelectric transducers, the analog switches, the programmable gain amplifier and the offset stabilized comparator, the CPU to calculate the flow, the clock control unit and, above all, the measure rate control and task sequencer unit. AS6040 is an autonomous system, with the task sequencer managing the complete measurement sequence independently from an external CPU. It can be used as a pure front-end with time of flight information as an output. But by means of the internal CPU the time information can be converted into a flow calibrated information already.

A major reason to go with this concept is that the AS6040 covers the complete ultrasonic flow measurement task, but doesn't touch all the other tasks of the central microcontroller. The user therefore has high flexibility in the choice of the central microcontroller and can even go with the same used e.g. for mechanical meters. On the other hand, the user does not need to step into design of electronics for ultrasonic flow but can setup a meter in a short period of time.

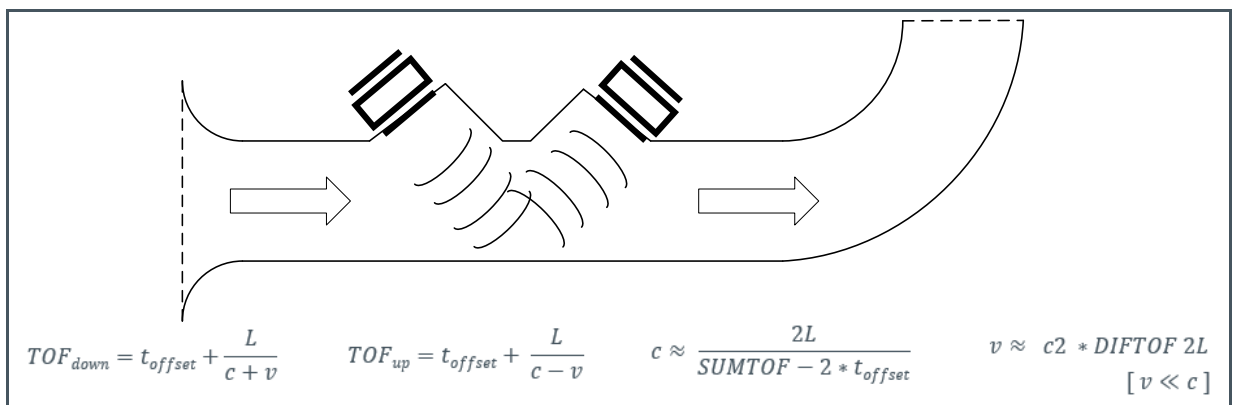
Figure 24:
Application Diagram Flow Meter



8.1.1 Measuring Principle

The **AS6040** measures flow by measuring the difference in time-of-flight (TOF) of ultrasonic pulses which travel with the flow (downstream) and opposite to the flow (upstream). For water meters, water temperature can be calculated from the time-of-flight data, too. For heat meters, a high-precision temperature measurement unit is integrated.

Figure 25:
Principle of Ultrasonic ToF Flow Measurement



The flow speed v at a given cross section area is a measure for the actual flow through the spool piece, and integrating the flow over time yields the flow volume.

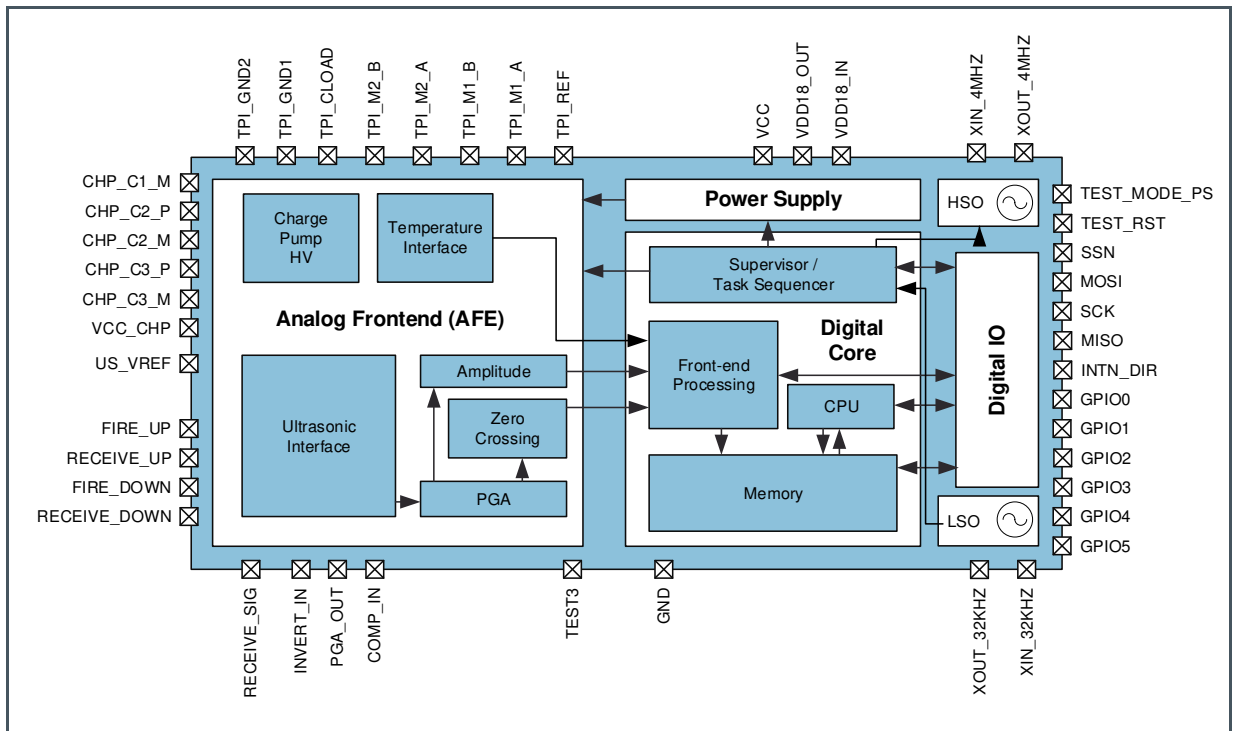
The task of AS6040 is to handle complete process, driving the transmitting piezoelectric transducer, that generate the ultrasonic burst, measuring the receiving transducer with respect to time-of-flight and amplitude, eventually doing a temperature measurement, and optionally do the complete post-processing for flow calculation.

8.2 Functional Blocks Overview

The AS6040 is made of the following major blocks:

- Ultrasonic frontend (UFE) for ultrasonic flow measurement and temperature measurement including charge pump and a programmable gain amplifier
- Digital core with the supervisor and task sequencer, the frontend processing unit, the CPU and memory.
- Digital I/O section
- Power supply
- Oscillator drivers

Figure 26:
Major Functional Blocks of AS6040



8.2.1 Operating Modes

The AS6040 is designed for autonomous operation, with all processes, including flow calculation, being managed by the AS6040. But it may be used as pure front end, too.

- Flow Meter Mode:** In the self-controlled flow meter mode, the supervisor triggers all measurements and the CPU does data processing to deliver processed results, independent from any external control. A bootloader, executed in the ROM of the integrated CPU, takes care of the application setup. A programmed firmware, also executed in the integrated CPU, defines the post processing. The interrupt may wake up an external microcontroller, so that it can read out the data.
- Time Conversion Mode:** Alternatively, the AS6040 can act as a pure converter that controls the measurement, but provides pure time-of-flight data, without any data processing (time conversion mode, self-controlled). The external microcontroller takes care of the application setup and post processing.

For debugging, an external microcontroller can trigger individual tasks remotely by SPI interface commands (time conversion mode, remote controlled).

Application Setup

The application setup of AS6040 hardware is defined by two sections in the register area:

- Configuration registers (CR) (0x0C0 – 0x0CE)
- System handling registers (SHR) (0x0D0 – 0x0DD)

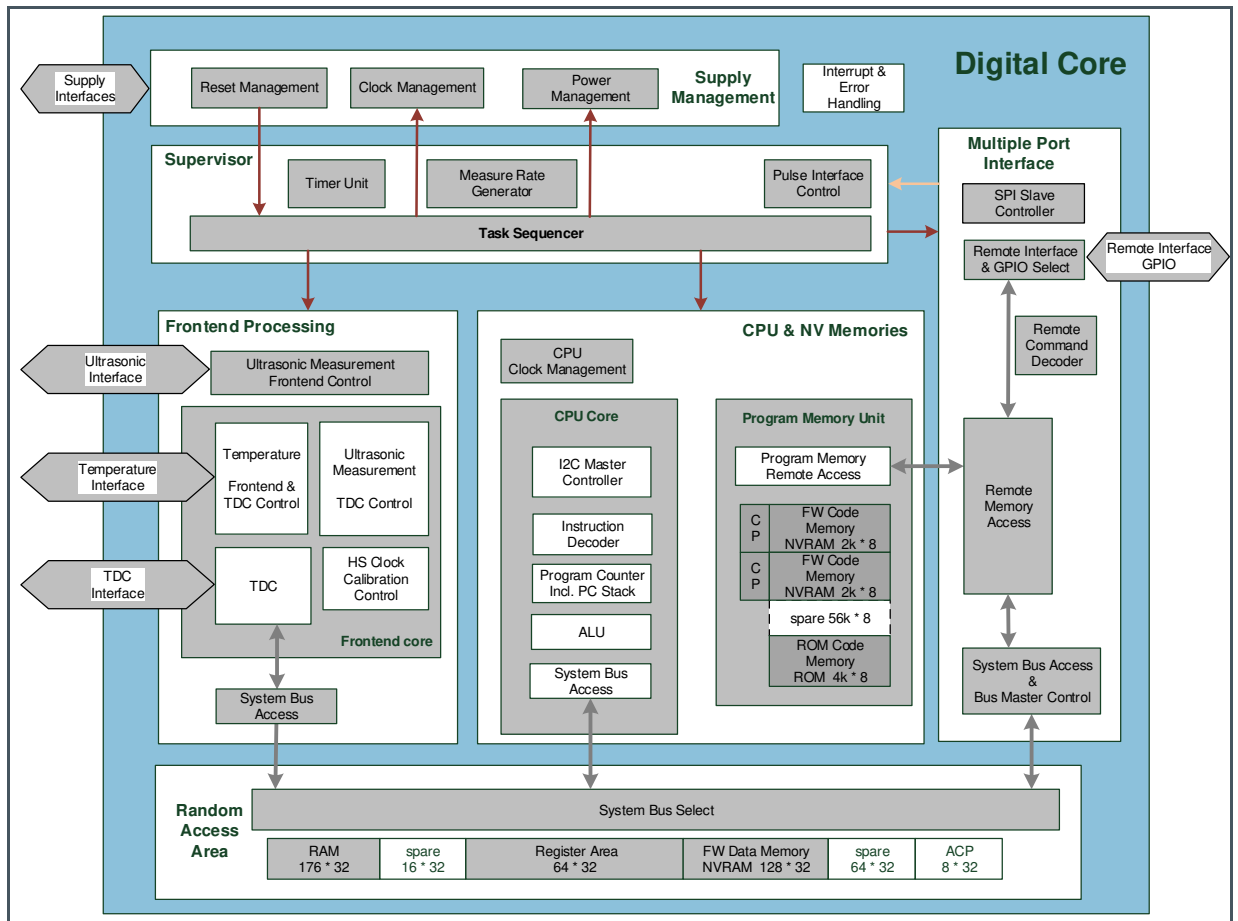
Both register sections will be reset after the execution of a “System Reset”.

8.3 Digital Core

The digital core is made of the following sub-blocks:

- Supervisor with task sequencer, timer unit, measure rate generator and pulse interface control
- Frontend processing with control of the ultrasonic and temperature frontends, the TDC and the high-speed clock calibration
- CPU and memories for optional post-processing
- The multiple port interface for SPI communication, 2-wire master interface and pulse interfaces
- Supply management with reset management, clock management and power management
- Interrupt and error handling
- Common system bus

Figure 27:
Digital Core

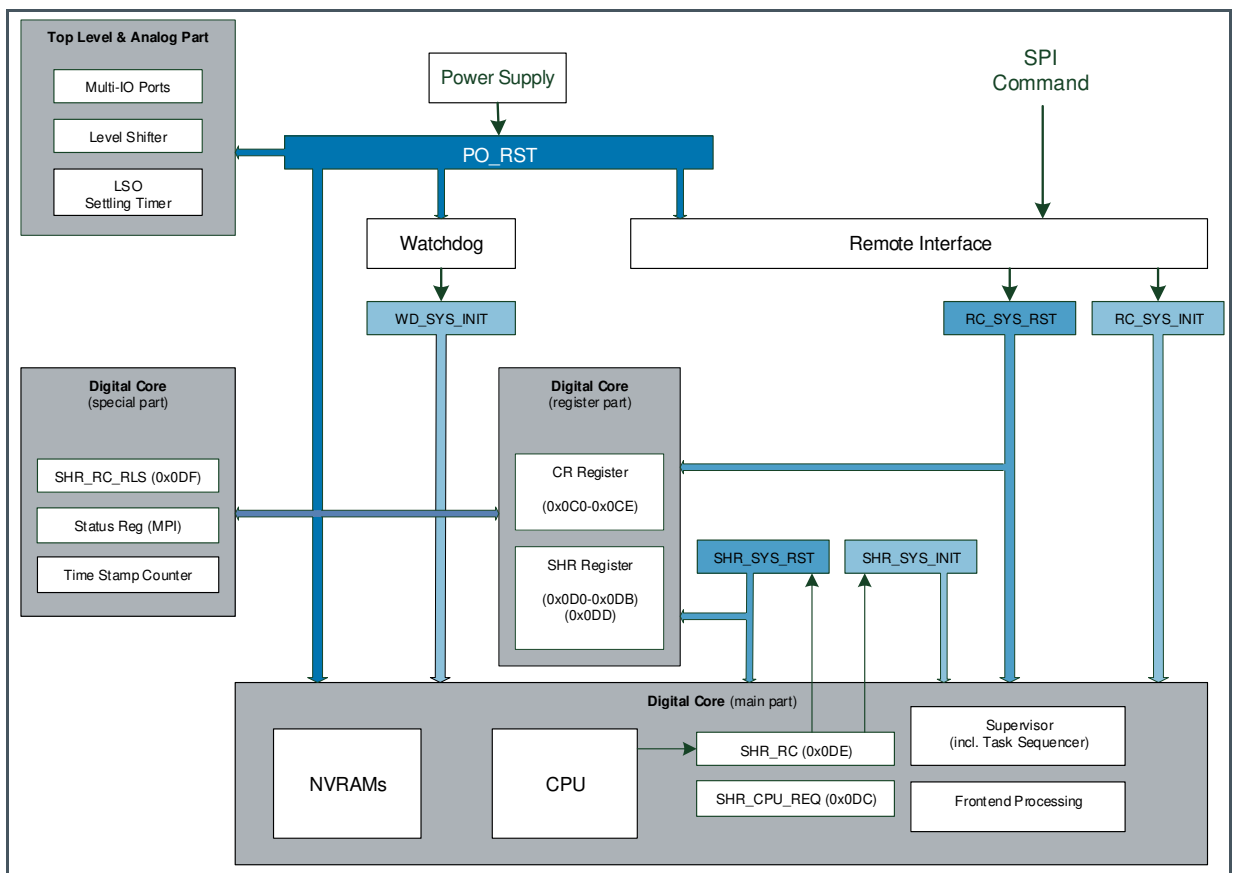


8.3.1 Reset Management

CR_WD_DIS Register (Address 0x0C0) Error! Reference source not found. Reset Distribution

Resets in AS6040 are initiated by turning on the power supply, by the watchdog or via remote interface commands.

Figure 28:
Reset Distribution



Following resets can be distinguished:

- PO_RST**
 Power-On Reset of AS6040, generated by power supply. Only performed after VDD33 is switched on. Resets complete AS6040 including digital IOs. After a PO_RESET, the measurement cycle timer is disabled for typically 2s until the settling time for the LSO has expired.

- **RC_SYS_RST**
 Remote Command System Reset, performed after sending a remote command 0x99. Resets the complete digital part of AS6040.
Note: Applicable only during debugging, not for application
- **SHR_SYS_RST**
 System Reset performed by writing a '1' to **SHR_RC[14]** (Address 0x0DE) if appropriate release code is written before to **SHR_RC_RLS** (Address 0x0DF). Preferably initiated by CPU to allow a system reset by FW execution.
 Resets main & register part of digital core.

Resetting only the main part of the digital core, without configuration registers, is done the following way:

- **WD_SYS_RST**
 Watchdog System Reset, performed after the watchdog timer expired. Triggers a SYS_INIT, but leaves registers and memory unchanged .
- **RC_SYS_INIT**
 System Init by remote command, performed after sending the SPI remote command 0x9A.
- Preferred remote action if register part of digital core is wanted to be untouched.

The different parts of AS6040 are reset as follows:

- Top Level and Analog Part:
 - PO_RST
- Digital Core (special part):
 - PO_RST
- Digital Core (register part):
 - PO_RST
 - RC_SYS_RST
 - SHR_SYS_RST if SHR_RC_RLS == hAF0A_4735
- Digital Core (main part):
 - PO_RST
 - RC_SYS_RST
 - SHR_SYS_RST if SHR_RC_RLS = hAF0A_4735
 - WD_SYS_INIT
 - RC_SYS_INIT

Following registers are separated from register part with different reset behavior

- SHR_RC_RLS (0x0DF): only by PO_RST
- SHR_RC (0x0DE): additionally by WD_SYS_INIT & RC_SYS_INIT
- SHR_CPU_REQ (0x0DC): additionally by WD_SYS_INIT & RC_SYS_INIT

8.3.2 Clock Management

AS6040 normally uses two external clocks, and is equipped with pins for two external clock sources.

- LSO**
 A low-speed clock (typically 32.768 kHz), connecting a quartz crystal at pins XIN_32KHZ & XOUT_32KHZ. This clock is the basis for the supervisor, including measure rate generator and task sequencer. It is running all the time when using normal low power mode.
- HSO**
 A high-speed clock (typically 4 or 8 MHz), connecting ceramic resonator to pins XIN_4MHZ & XOUT_4MHZ. It is used for the frontend processing and is activated only when needed. Compared to a quartz, a ceramic resonator has the benefit of a short settling time which saves power consumption. On the other hand, the clock needs to be calibrated periodically versus the LSO quartz.
- Alternatively, active external clock can be fed into the XOUT pins (XIN pins need to be grounded then).

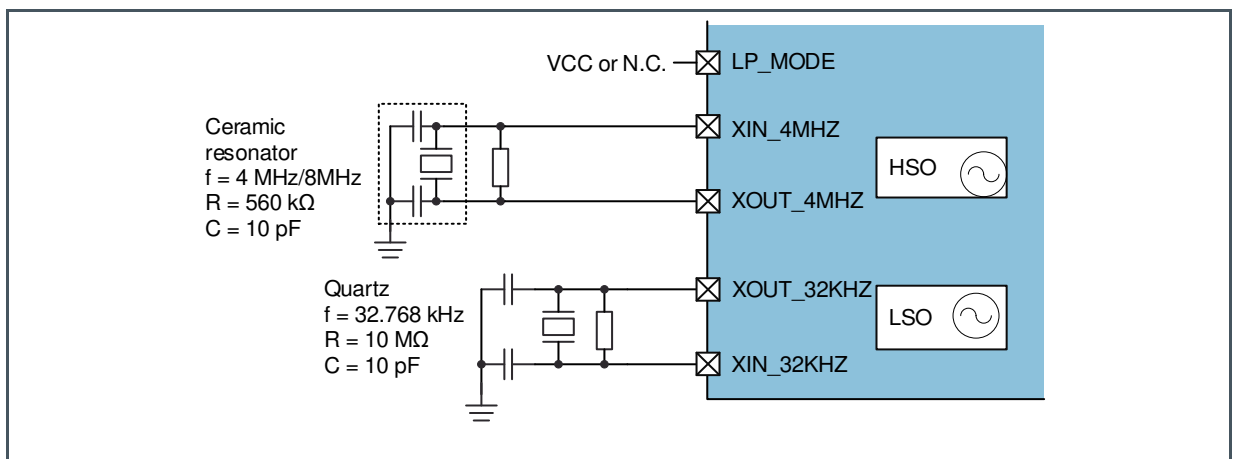
Note: In addition there is an internal low speed oscillator PS_CLK of typ. 8.7 kHz which is used for the power-up timing to release measurements and also for the watchdog.

We distinguish the following clock operation modes:

Low Power Mode

AS6040 is sourced by the external low-speed oscillator (LSO). This is the standard in typical applications.

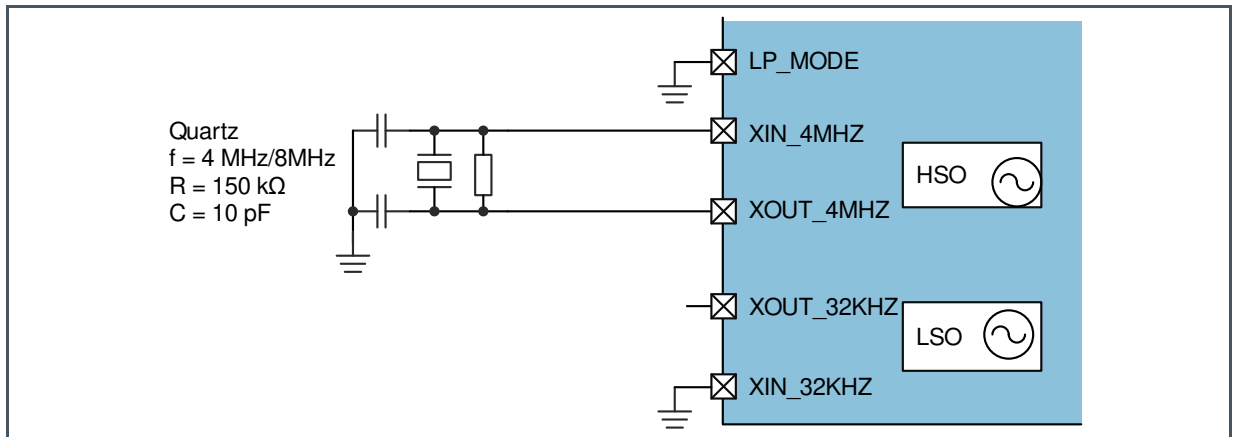
Figure 29:
Connecting Oscillators in Low Power Mode



Single-source Clocking Mode

No external low-speed source is needed. The internal low-speed clock is derived from high-speed clock, which in this case needs to be a quartz. The internal LSO frequency is then 32 kHz. The high speed clock needs to run all the time. As the HSO needs about 80 μ A, this mode is not recommended for applications where low power is needed.

Figure 30:
Connecting Oscillator in Single-source Clocking Mode



Clock Divider Options

Following table shows recommended settings for the clock dividers.

Figure 31:
Useful Caption

HS_CLK	4 MHz	8 MHz
Fire Burst Frequency	40 kHz - 1 MHz	62.5 kHz - 1 MHz
HSC_DIV_MODE	0	1
HSC_DIV	0	1
HSC_DIV_TDC	0	0

The recommended HS clock frequency and derived clock divider settings are mainly defined by required fire burst frequency. With 8 MHz the frequency setting can be more fine adjusted, especially in the range of 200kHz and lower. ON the other hand, an 8 MHz reference will need slightly more power (roughly 0.1 μ A at 8 Hz sample rate).

Clock Calibration

The HSO frequency will vary from resonator to resonator but also with temperature. Therefore it needs to be calibrated frequently. During calibration, four periods of the LSO (122.0703125 μ s) are measured by means of the HSO.

The register SRR_HCC_VAL (High-Speed Clock Calibration Value) is updated. The value is eight times the real frequency at the TDC: $8 * f_{\text{HSO}} / \text{Hz}$.

Nominal value with 250ns period: 32,000,000 (0x1E84800)
 Nominal value with 125ns period: 64,000,000 (0x3D09000)

Example with real value from SRR_HCC_VAL, e.g. 249.9579ns:32,005,389 (0x1E85D0D)

Correction factor: $32,000,000/32,005,389 = 0.999832$, to be used for all further timing calculations in any post processing.

The status flag **HCC_UPD** in SRR_FEP_STF (Frontend Processing Status Flags) indicates whether the content is updated or not.

Relevant Registers

The table below lists most important registers and parameters for setting the clock management.

Figure 32:
Clock Control & Status Registers

Register	Parameter	Description
CR_CPM (Clock- & Power-Management)	HSC_CLK_ST	High-speed clock settling time (77 μ s, 107 μ , ..., 5ms) 135 μ s is a good value for ceramic oscillators.
	HSC_RATE	Sets the calibration rate of HSO versus LSO (off, every 2 nd , ..., every 100 th).
	HSC_DIV	High-Speed Clock Divider 0: HSC_CLK not divided, recommended for 4 Mhz 1: HSC_CLK divided by 2, recommended for 8 MHz Optionally with HSC_DIV_MODE = 1: Only applied to low speed clocking & frontend control
	HSC_DIV_MODE	High speed clock divider mode 0: all HSC clock dividers controlled commonly by HSC_DIV 1: HSC clock dividers individually configurable (bit 8:5)
SHR_EXC (Executables)	HSO_CLR	Clears the high-speed oscillator (typically used by firmware code for I2C handling)
	HSO_REQ	Requests the high-speed oscillator (typically used by firmware code for I2C handling)
SHR_RC (Remote Control)	HSO_MODE	High Speed Oscillator Mode (for debugging only) 00: No change of HSO_MODE state (WO) 01: HSO controlled as configured 10: HSO always on 11: No change of HSO_MODE state (WO)
SRR_FEP_STF (Frontend Processing Status Flags)	HCC_UPD	Indicates whether the clock calibration value is updated or not.

Register	Parameter	Description
SRR_HCC_VAL (High-Speed Clock Calibration Value)	HCC_VAL	High-speed clock calibration value. = $122.0703125/T_{H_{SO}} \cdot 2^{16}$
SRR_MSC_STF (Miscellaneous Status Flags)	HSO_STABLE	Flag for the end of the high-speed oscillator settling time, indicating that high-speed oscillator is settled and stable. For CPU handling the flag CPU_SFLAG_HSO_ST_TO is preferred.
SHR_CPU_REQ	CPU_SFLAG_HSO_ST_TO	0: High speed oscillator not in timeout condition 1: High speed oscillator in timeout condition Cleared by HSO_CLR in SHR_EXC Same as HSO_STABLE but updated and valid only while CPU is running (synchronized by CPU clock)

8.3.3 Measure Rate Generator

The measure rate generator supplies up to 8 different measure task requests, which can trigger the task sequencer. The task sequencer is a state machine and then manages the processing of the measurement tasks, based on the measure cycle timer and the measure rates. The measure rate cycle time (MR_CT) is the central clock in the measure rate generator.

Figure 33:
Cycle Times for Tasks (example)

Task	Cycle Time ⁽¹⁾	Typical setting	Comment
MR_CT		125	8 Hz base frequency
TOF	$TOF_RATE \times MR_CT \times T_{MCT}$	TOF_RATE 1	8 Hz flow measurement
AM	$AM_RATE \times TOF_RATE \times MR_CT \times T_{MCT}$	AM_RATE 1	Amplitude measurement performed with every time of flight measurement
AMC	$AMC_RATE \times AM_RATE \times TOF_RATE \times MR_CT \times T_{MCT}$	AMC_RATE 50	Amplitude measurement calibration rate
VM	$VM_RATE \times MR_CT \times T_{MCT}$	VM_RATE 100	Voltage measurement every 12.5s
TM	$TM_RATE \times MR_CT \times T_{MCT}$	TM_RATE 240	Temperature measurement every 30s
HSC	$HSC_RATE \times MR_CT \times T_{MCT}$	HSC_RATE 100	High-speed clock calibration every 12.5s
ZCC	$ZCC_RATE \times MR_CT \times T_{MCT}$	ZCC_RATE 100	Zero-cross calibration every 12.5s

(1) LP_MODE = 1: $T_{MCT} = 976.5625 \mu s$

Relevant Registers

The following table lists the most important registers and parameters for setting the measure rates.

Figure 34:
Measure Rate Settings

Register	Parameter	Description
CR_CPM (Clock- & Power- Management)	HSC_RATE	High-speed clock calibration rate
CR_TPM (Temperature Measurement)	TM_RATE	Defines the number of sequence cycle triggers between sensor temperature measurements [0=off, 1 to 1023].
CR_USM_PRC (Ultrasonic Measurement Processing)	ZCC_RATE	Zero-cross calibration rate [0=off, 1, 2, 5, 10, 20, 50, 100].
CR_USM_TOF (Ultrasonic Measurement Time of Flight)	TOF_RATE_INIT	Initial value of TOF rate after autoconfiguration of bootloader
CR_USM_AM (Ultrasonic Amplitude Measurement)	AM_RATE	Amplitude measurement rate [0=off, 1, 2, 5, 10, 20, 50, 100].
	AMC_RATE	Amplitude measurement calibration rate [0=off, 1, 2, 5, 10, 20, 50, 100].
SHR_TOF_RATE (Time Of Flight Rate)	TOF_RATE	Rate of flow measurements [0=off, 1 to 63]. In multiples of 976.5625µs/1ms.

8.3.4 Task Sequencer

The task sequencer triggers the various measurement tasks and calibration tasks. It also triggers the post processing. The task sequencer has two operation modes:

- 1-phase mode: All measurements follow the same trigger. Post-processing can be triggered by the flow measurement and the other measurements.
- 2-phase mode: Flow measurement and temperature measurement are triggered by separate triggers, called A and B.

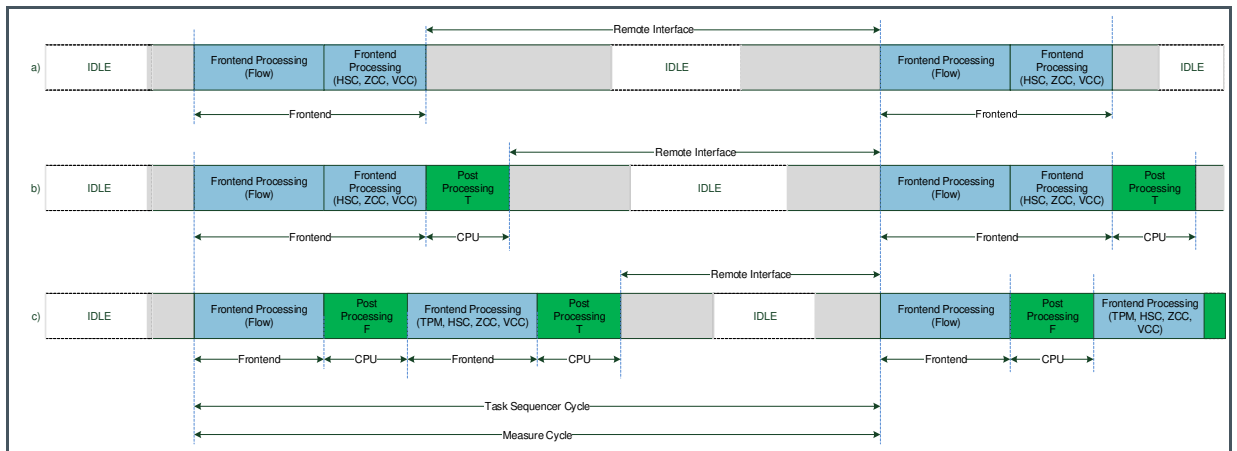
The 1-phase mode is the preferred one when working with CPU post processing or when no temperature measurement is done. The the idle time for communication with an external partner is maximized.

The 2-phase mode is needed in time conversion mode (no CPU post processing) with temperature measurement active. The reason is that for flow and temperature the same frontend data buffer is used.

1-Phase Mode

All measurements tasks are triggered by the same single trigger. Following applications are covered:

Figure 35:
1-phase Mode



- a) Time conversion mode without temperature measurement (TPM)
TS_MCM = 0 / TS_PP_T_EN = 0 / TS_PP_F_EN = 0
- b) Flow meter mode without temperature measurement
TS_MCM = 0 / TS_PP_T_EN = 1 / TS_PP_F_EN = 0
- c) Flow meter mode with temperature measurement
TS_MCM = 0 / TS_PP_T_EN = 1 / TS_PP_F_EN = 1

In this mode all measure tasks can be performed in one task sequencer cycle. Doing this, the IDLE time which can be used for remote communication is as large as possible.

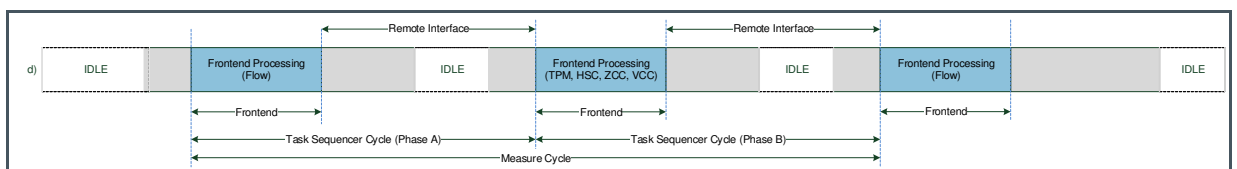
2-phase Mode

This mode is needed for

- d) Time Conversion Mode with Temperature Measurement (TPM)
TS_MCM = 1 / TS_PP_T_EN = 0 / TS_PP_F_EN = 0

In this mode the measure cycle is divided into two task sequencer cycles. So it is possible to read out flow and temperature results subsequently via the serial interface. The idle time is split and recuded.

Figure 36:
2-phase Mode



Relevant Registers

The following table lists the most important registers and parameters for setting the measure rates.

Figure 37:
Useful Caption

Register	Parameter	Description
CR_MRG_TS (Measure Rate Generator & Task Sequencer)	MR_CT	Task sequencer cycle time. The actual physical measure rate cycle time is $t_{cycle} = MR_CT * 976.5625 \mu s$ [0, 1...8191]. The measurement rate generator triggers measurements in two alternating channels, one (A) triggering the flow and amplitude measurement, the other one (B) triggering temperature, and voltage measurement as well as the high speed clock (HSO) and the comparator offset calibration. Optionally (TS_MCM = 1), channel B triggers a half cycle time after channel A, to avoid mutual influences among the measurements.
	TS_MCM	Task sequencer measure cycle mode: 0: Trigger A (flow) and Trigger B (temperature) follow sequentially 1: Trigger A (flow) and Trigger B (temperature) are separated by $t_{cycle}/2$
	TS_PP_MODE	Post processing mode (only if post processing is enabled) 0: Post processing requested with every task sequencer trigger 1: Post processing only requested if a measurement task is requested 1 is the recommended setting
	TS_PP_F_EN	Enables Post Processing F (after USM flow and amplitude measurement task) 0: Post Processing F disabled 1: Post Processing F enabled 0 is the recommended setting
	TS_PP_T_EN	Enables Post Processing T (final one after temperature, voltage and calibration measurement tasks or post processing F) 0: Post Processing T disabled 1: Post Processing T enabled

Task Processing Times

The following examples shows how task sequencer cycles are allocated by the different measure and communication tasks. The data show typical times for typical configurations only and likely vary from configuration to configuration.

Figure 38:
Task Duration

Task	Comment	Time[ms]	
Refreshing the voltage regulator	Always performed at start of cycle ¹	2.6	
Frontend processing	Max. time for ultrasonic measurement with a pause time of 20 ms	21	
CPU post processing	Maximum time for a firmware execution with 4000 cycles and recommended CPU speed	0.5	
Refreshing the voltage regulator	Always performed at start of cycle	1.7	
	Voltage measurement	Maximum time if voltage measurement is performed in this cycle	2

Task		Comment	Time[ms]
Frontend processing	Temperature measurement	Typical time for an internal + 2-ports/2-wire measurement with a pause time of 10 ms	16
Typically not with every measurement	High-speed clock calibration	Maximum time if high-speed clock calibration is performed in this cycle	0.5
	Zero-cross calibration	Maximum time if zero-cross calibration is performed in this cycle	0.5
CPU post processing		Maximum time for a firmware execution with 4000 cycles and recommended CPU speed	0.5
SPI Remote communication		Maximum time for an SPI communication of 100 bytes payload at 8 MHz and an inter-byte gap of 1 μ s	0.2
Total			45.5
NVRAM related tasks:			
NVRAM Check		Recommended with CPU processing.	8.6
NVRAM Recall		Timer triggered in larger intervals	0.4

8.3.5 Initial Start / Restart

The initial start sequence is performed after a power-on reset. The restart is performed after sending the remote command RC_SYS_RST or setting SHR_SYS_RST. Figure 40 shows the sequences. Cyclic measurements are released earliest after the start-up timer, based on the internal power supply clock (PS_CLK, typ. 8.7 kHz) has reached its timeout.

Communication is possible as soon as the POR of the analog and digital par have been finished.

Measurement Start in Flow Meter Mode

A measurement start in flow meter mode requires that an executable firmware (FW code & FW data) is programmed to device with enabled “Autoconfig Release Code”. Then the measurement starts automatically without any interaction via remote interface as soon all steps are performed as described in flow diagram above. In case that firmware data enables interrupt for “Bootloader Finished”, this interrupt should be served by remote controller to release interrupt handling for all other kind of interrupt requests which follow.

Measurement Start in Time Conversion Mode

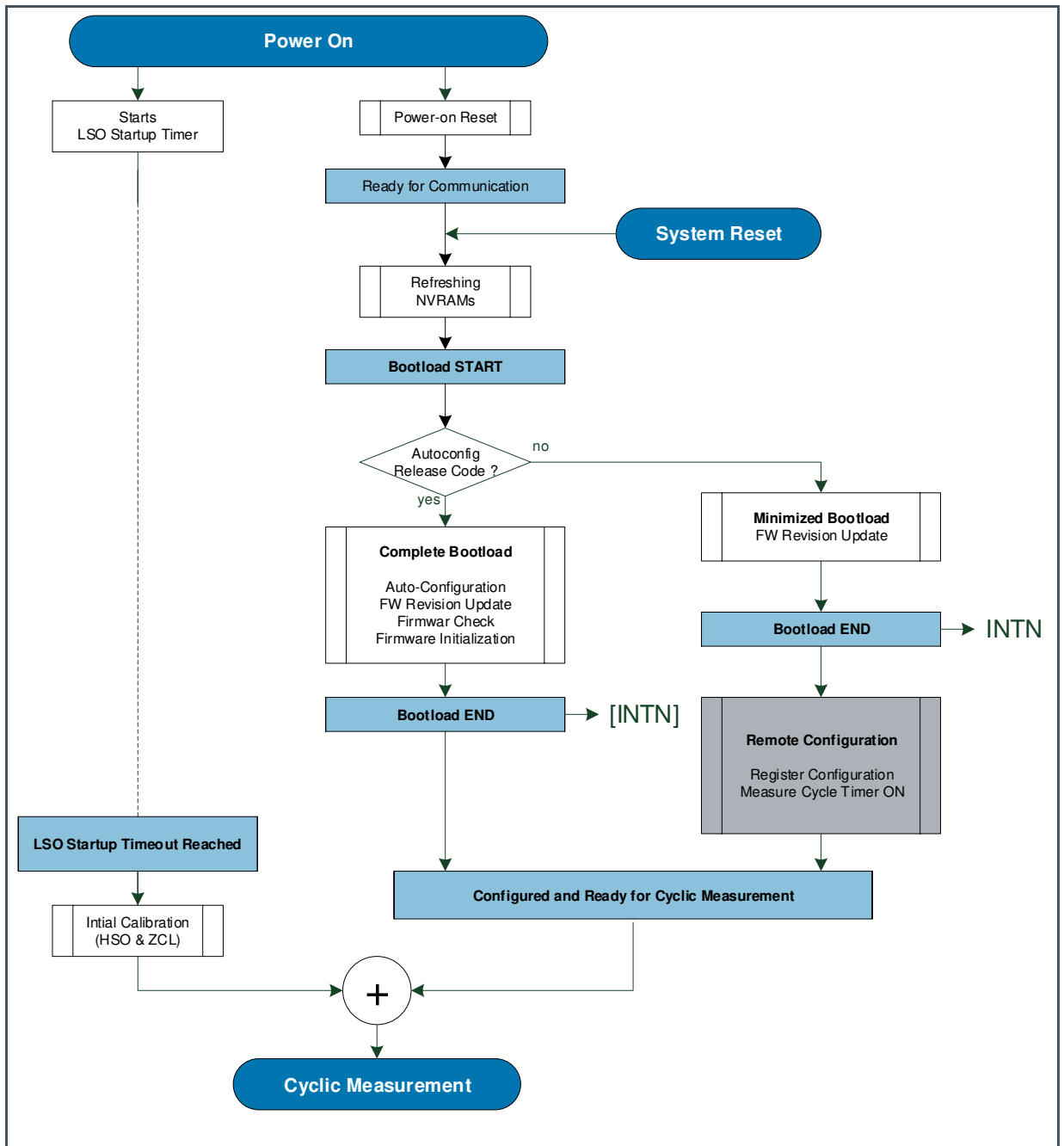
A measurement start in time conversion mode typically requires that “Autoconfig Release Code” is disabled. Further interactions via remote interface have to be performed as follows:

1. Wait on interrupt INTN
2. Check interrupt flag on reading SRR_IRQ_FLAG, bit 2, BLD_FNS opcode 0x7A 0xE0, read data (Bit 2 of 32)
3. Clear interrupt flag register by sending RC_IF_CLR, opcode 0x8D
4. Write Configuration Data to CR addresses 0x0C0 to 0x0CB and SHR addresses 0x0D0 to 0x0D2 / 0x0DA to 0x0DB
opcode 0x5A 0xC0, 0XXXXXXXX ... 0x5A 0xD0, 0XXXXXXXX ...
5. System INIT RC_SYS_INIT, opcode 0x9A. Charge pump is uploading to CHP_HV_SEL
6. Wait 20 ms (Charge Pump is pumping to configured voltage)
7. Set Measure Cycle Timer On, opcode 0x8B
8. Check if Cycle Timer is on with RC_READ_STATUS 0x8F, bit 4, MCT_STATE

Figure 39:
Start / Restart Timings

Symbol	Parameter	Min	Typ	Max	Unit
t _{POR_RST}	Power-on reset, based on PS_CLK		37	94	ms
t _{NVRAM_RF}	Refreshing NVRAM		0.36	0.36	ms
t _{bootload_comp}	Complete bootload time, FW Init not considered		11.84	19.66	ms
t _{bootload_min}	Minimized bootload time		0.11	0.14	ms
t _{conf_remote}	Remote configuration time, based on SPI:CLK. @ f _{SPI} = 1 MHz, byte gap = 2 μs		0.91		ms
t _{initial_calib}	Initial calibration time (Typical configuration)		4.82	4.88	ms

Figure 40:
Start / Restart Sequence



8.4 Ultrasonic Frontend (UFE)

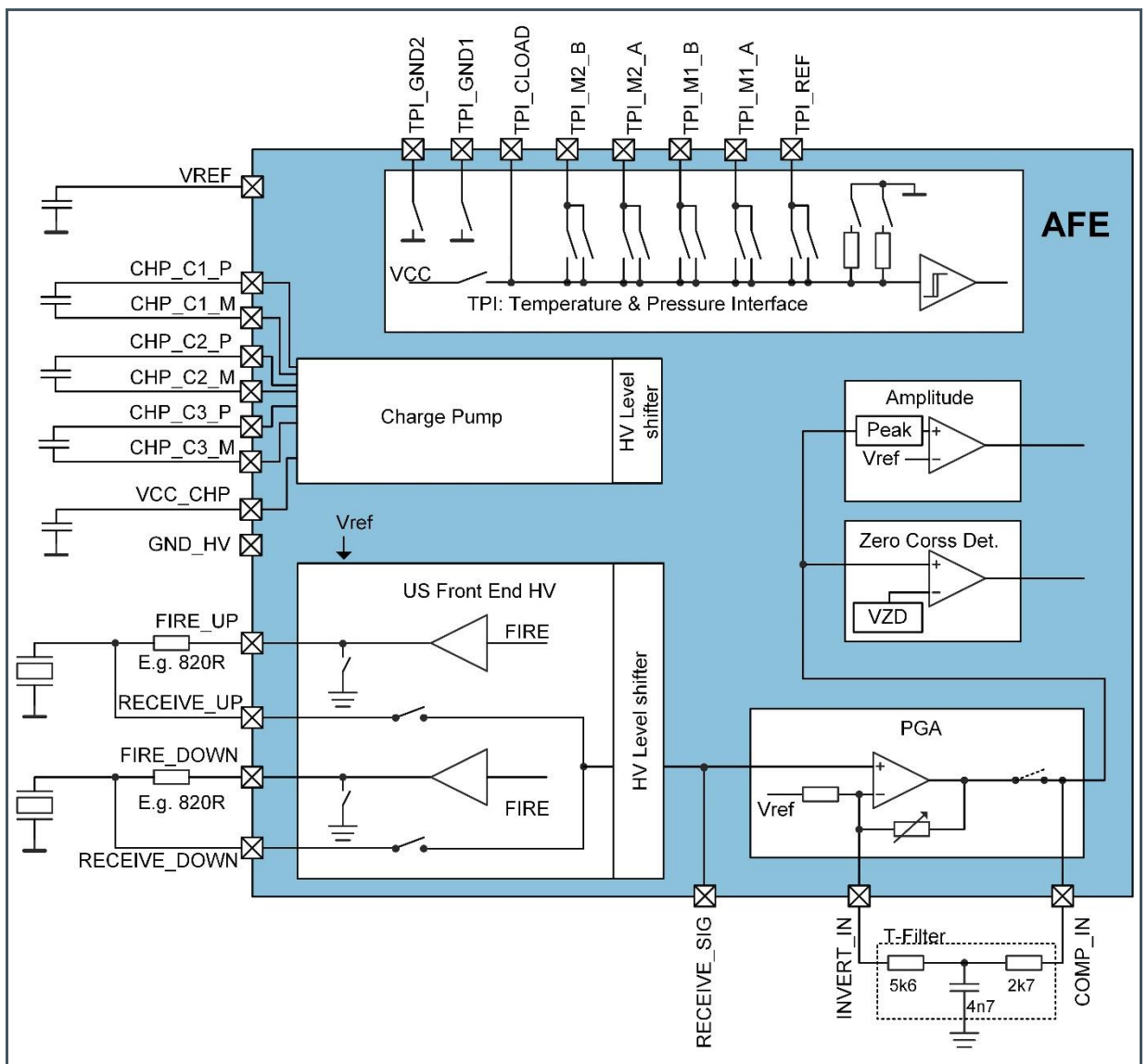
The ultrasonic frontend is made from the following sub-blocks:

- Charge pump to generate the high voltage (HV)

- Fire buffers and switches to drive transducers in voltage mode
- Programmable amplifier in the receive path
- Zero-crossing detection circuit
- Amplitude measurement circuit
- Switching network to measure one or two external temperature sensors in 2-wire or 4-wire mode

The AS6040 is designed for autonomous operation. The individual measurement tasks are triggered by the Measure Rate Generator. The individual tasks (like flow, amplitude, temperature) are controlled themselves by individual sequencer units.

Figure 41:
Ultrasonic Frontend Block



The transducers are driven by the HV voltage generated by the charge pump. The fire voltage can be configured up to 17.3 V. The ultrasonic transducer are directly connected to pins US_UP (against the flow) and US_DOWN (with the flow). The resistors in the transducer driver path need to be placed externally of AS6040.

8.4.1 Charge Pump

The HV charge pump provides the drive voltage for the ultrasonic transducer and consist of two major sub-blocks. The reference charge-pump CHP_REF and the power charge-pump CHP_MAIN. The circuit provides a multiple of the VCC supply voltage of the chip. The charge pump needs external capacitors to transfer and store the energy.

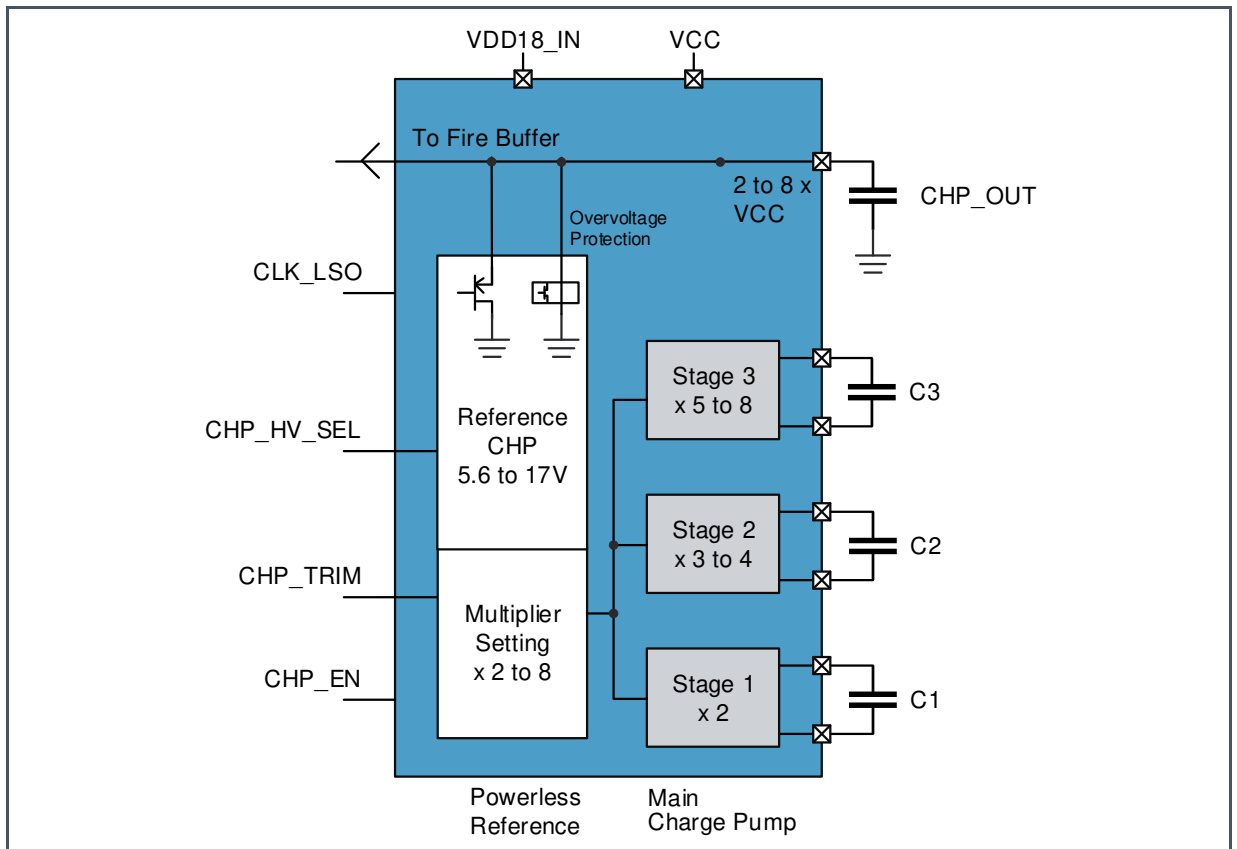
Charge Pump Output Voltage

The reference charge-pump provides a configurable voltage, based on 1.8 V reference. The target voltage is set by parameter **CHP_HV_SEL** in steps of 900 mV. The target voltage can be configured in 15 steps (settings 0 to 14) and has a range from 5.6 V up to 17.3 V (theoretically) which is reduced by parasitic elements to around 17.3 V maximum voltage.

The power charge pump has three stages to multiply VCC. When only the first stage is configured the circuit works as a voltage doubler. It depends on the target voltage how many stages are really needed. This is set by parameter **CHP_TRIM** and defines the limit of the achievable output voltage. For lowest current consumption this value should be chosen as low as possible.

The following diagram shows the maximum achievable output voltage as a function of the supply voltage and the CHP_TRIM setting. The CHP_HV_SEL must be smaller than this value. Else the charge pump could not charge up to the selected voltage and an error flag EF_CHP_ERR is set.

Figure 42:
Charge Pump Blockdiagram



The table in the figure below lists the maximum reachable voltage of the charge pump depending of the power supply voltage and the CHP_TRIM. Make sure that the charge pump set voltage can be generated with the configured settings of CHP_TRIM and CHP_HV_SEL.

Figure 43:
Charge Pump Maximum Output Voltage

CHP_TRIM	Multiplication Factor	Active Stages	Charge Pump Voltage [V]			
			Supply Voltage Vcc [V]			
			2.8	3.0	3.3	3.6
0	2	1	5.6	6	6.6	7.2
1	3	1 & 2	8.4	9	9.9	10.8
2	4	1 & 2	11.2	12	13.2	14.4
3	5	1 & 2 & 3	14	15	16.5	17.3
4	6	1 & 2 & 3	16.8	17.3	17.3	
5	7	1 & 2 & 3	17.3			

If stages 2 or 3 are not used then 100nF capacitors for those are sufficient.

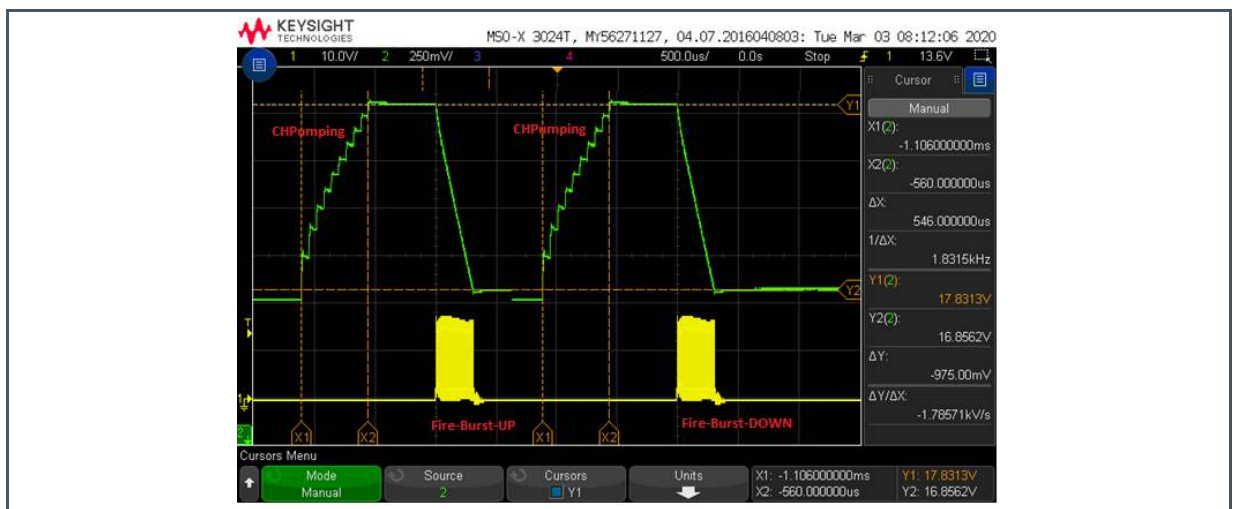
Charge Pump at start-up of chip and during Ultrasonic measurement

When the AS6040 is used in flow meter mode and a bootloader is activated the charge pump is initially pumping up to the configured voltage. This is done after the bootloader has finished within the 1.2 sec start up time of the AS6040.

In time conversion mode when a configuration is set up in the AS6040 an initial charging step must be triggered by a host controller. This is described in section 8.3.5.

During operation of the ultrasonic measurement the charge pump is enabled for a defined time frame before a measurement in UP and DOWN direction. The charge pump voltage blocking capacitor is then recharged to a configured voltage. The recharging time frame can be configured with the CHP_WAIT_TIME.

Figure 44:
Charge Pump Active



Current Consumption

The current consumption of the main charge pump mainly depends on the impedance of the transducer together with the termination resistors and the number of fire pulses being sent.

Size of Capacitor

The recommended value for the capacitor connected to VCC_CHP is between 4.7 μF and 22 μF. The lower limit is set by the discharge of said capacitor during the fire-burst generation. This value should not exceed 100mV and depends, for a given spool-piece, on the number of fire-pulses. If a higher number of fire pulses or a better measurement performance is needed, a larger capacitor than given by the lower limit is necessary.

Figure 45:
Charge Pump Capacitors

CHP_C1	CHP_C2	CH_C3	CHP_OUT	Comment
1 μ F	1 μ F	1 μ F	4.7 μ F	Low cost, good performance compromise. Limited current load / fire bursts, reduced start-up time (20ms for 17V)
1 μ F	1 μ F	1 μ F	10 μ F	Good performance in offset and noise
2 μ F	2 μ F	2 μ F	22 μ F	lowest offset, lowest noise, but increased start-up time (100ms for 17V)

Leakage Current causes by Capacitors

Any leakage present at a voltage higher than VCC will at least be multiplied with the ratio of this - voltage with respect to VCC. For instance, if the output voltage is 6 times VCC with a capacitor leakage current of 1 μ A , the additional current consumption will be roughly 7.5 μ A. The leakage current of electrolytic capacitors is typically higher than that of ceramic capacitors

Type of Capacitors

It is recommended to use X7R dielectric for ceramic capacitors because of their low leakage and because of their lower voltage dependency of capacity in contrast to X5R dielectics. It is also possible to use tantalum electrolyte capacitors with the expense of higher leakage current at high temperatures or performance loss at lower temperatures.

Relevant Registers

The table below lists most important registers and parameters for setting up the charge pump.

Figure 46:
Relevant Registers for Charge Pump

Register	Parameter	Description
CR_CPM (Clock- & Power-Management)	CHP_TRIM	Power Charge Pump Trim, configures charge pump multiplication factor 000: 2x 001: 3x 010: 4x 011: 5x 100: 6x 101: 7x 110: not used 111: not used

Register	Parameter	Description
	CHP_HV_SEL	Selection of nominal charge pump voltage (reference charge pump) 0000: 5.6 V 0001: 6.5 V 0010: 7.4 V 0011: 8.3 V 0100: 9.2 v 0101: 10.1 V 0110: 11.0 V 0111: 11.9 V 1000: 12.8 V 1001: 13.7 V 1010: 14.6 V 1011: 15.5 V 1100: 16.4 V 1101: 17.3 V 1110: 18.2 V 1111: not used
CR_MRG_TS (Measure Rate Generator & Task Sequencer)	TS_CHP_WT	Charge Pump Wait Time. Defines the load time before a measurement is started. 00: 0.52 ms 01: 1 ms (recommended) 10: 2.5 ms 11: not used
	TS_CHP_MODE	Charge Pump Mode 00: Charge pump disabled 01: not used 10: Main charge pump enabled. Pump cycle at start of each US measurement 11: not used
SRR_ERR_FLAG	EF_CHP_ERR	Charge Pump Error Flag
CR_IEH	EF_EN_CHP_ERR	Error Flag Enable, Charge Pump Error

The proper configuration of the charge pump is important to maintain a high efficiency and low current consumption of the AS6040.

1. Define the charge pump output voltage with **CHP_HV_SEL**.
2. Set **CHP_TRIM** as multiple of Vcc slightly higher as the charge pump output voltage.
3. Set Charge Pump Wait Time (**TS_CHP_WAIT**) to 1 ms and Charge Pump Mode (**TS_CHP_MODE**) to b10.
4. Check with the error flag EF_CHP_ERR in SRR_ERR_FLAG that the Charge Pump is working correct during ultrasonic measurements.

External HV supply

When the charge pump is disabled the user can connect an external power supply to the pin VCC_CHP_IN_OUT (TP9). The transducers will then be driven by this voltage. The maximum allowed voltage for this operation mode is 17.3 V! The CHP_HV_SEL must be set close to the external HV supply voltage because the overvoltage protection is still active.

8.4.2 Fire Buffers

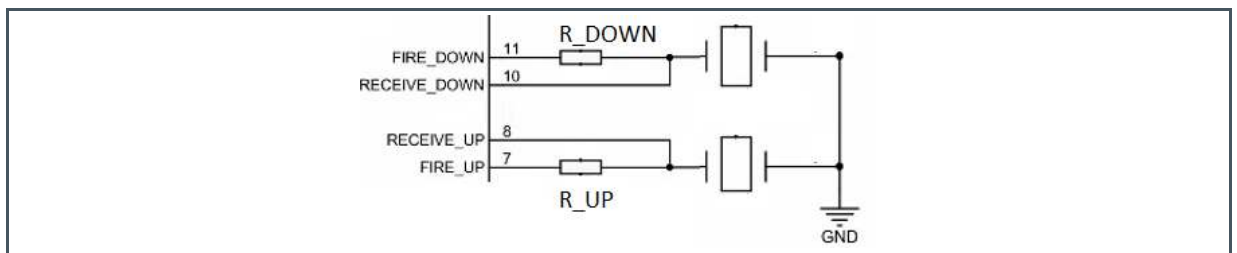
The transducers are driven by the high voltage of the charge pump. The fire buffers drive the transducers with a rectangular signal and can have three states, high, low and high-Z.

Serial load resistors need to be connected externally with AS6040. They are connected between FIRE_UP/DOWN pins and transducers. The RECEIVE_UP/DOWN pins are connected to the point between resistor and transducer. During receive operation, the FIRE_x pin of the receiving path is internally switched to GND, so that the receiving transducer is in parallel to the termination resistor.

The better the matching between both resistors the better the reciprocal behaviour to the spool piece suppresses zero flow drift. Resistors of same value and temperature drift are recommended.

Ideally, the external resistor is in the same order as the impedance of the transducer to get maximum acoustic power out of the transducers.

Figure 47:
Transducer Connection



The frequency and length of the fire burst is configured in register **CR_USM_FRC** (Ultrasonic Measurement Fire & Receive Control). It can be a uniform burst or a split burst with a phase jump between the two sequences. The frequency is derived by an integer divider from the reference clock and the number of pulses can reach 63, but typically the value is in the range 20 to 25.

For details see also section 8.5.

8.4.3 PGA (Programmable Gain Amplifier)

AS6040 has an integrated amplifier with programmable gain in the receive path. This allows to amplify the receive signal with a gain from 2 to (maximally) 132 V/V, depending on the frequency. At 100kHz the maximum DC gain is about 132, at 1 MHz the maximum is about 10. The gain is set by **PGA_TRIM**.

The settings are done in register **CR_USM_AM** (Ultrasonic Amplitude Measurement). The PGA is used during the ultrasonic measurement and the zero-cross calibration (ZCC). The PGA starts earliest after the fire burst is sent or with the **Noise_MASK_Window**. Its initialization takes about 10 to 20 μ s.

PGA_TRIM sets the low frequency gain of the PGA via trim bits in steps of

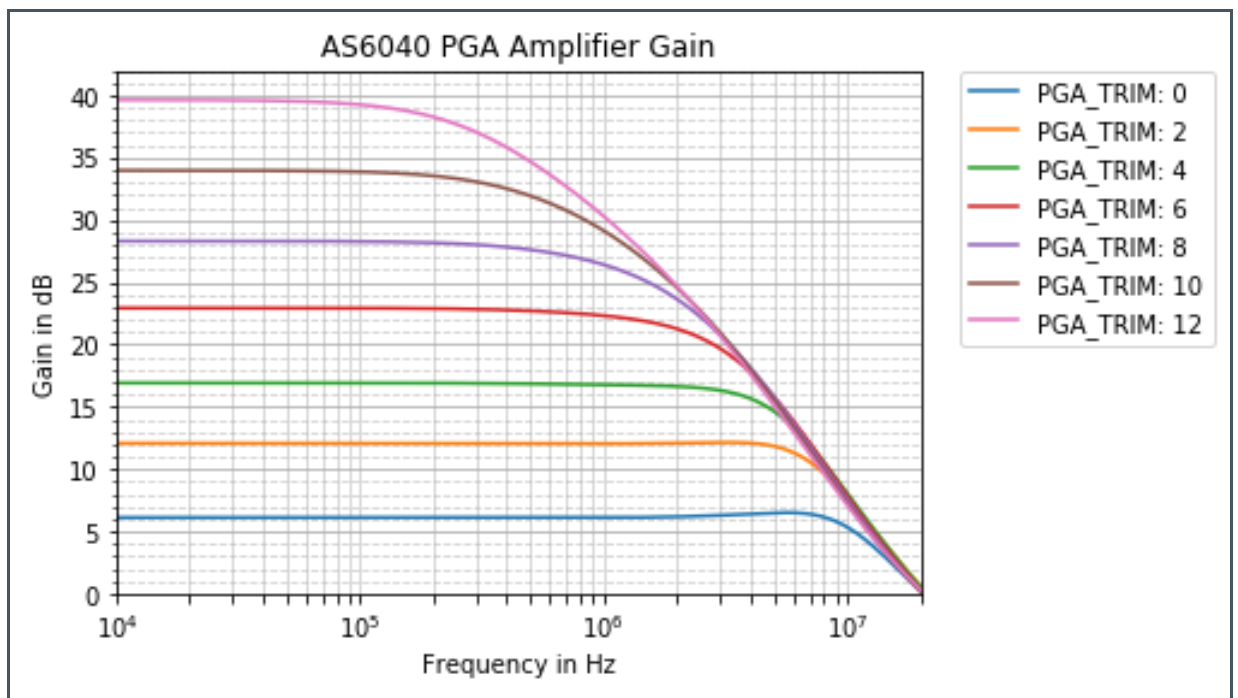
0 := 2 V/V,	5 := 10 V/V,	10 := 50 V/V,
1 := 3 V/V,	6 := 14 V/V,	11 := 69 V/V
2 := 4 V/V,	7 := 19 V/V,	12 := 96 V/V
3 := 5 V/V,	8 := 26 V/V,	13 := 132 V/V
4 := 7 V/V,	9 := 36 V/V,	

It's recommended to set the amplification in a way that the amplified signal amplitude is between $\pm 150\text{mV}$ and $\pm 400\text{mV}$.

Note: PGA current consumption can increase with high signal levels, getting close to the rails.

The following figure shows the real bandwidth of the PGA.

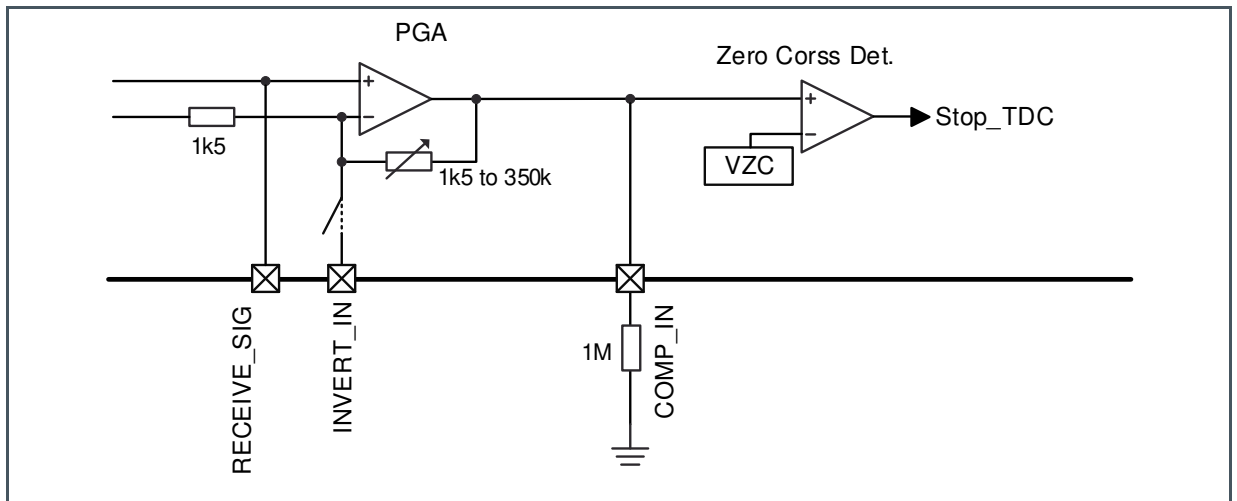
Figure 48:
PGA gain over frequency



PGA (without external Filter)

In applications that need only a moderate amplification up to 20V/V the external amplifier should be avoided. Instead, an external 1 MΩ pull-down resistor is sufficient.

Figure 49:
Wiring with PGA (without external Filter)



PGA with external Filter

In applications with high gain ($> 20V/V$, like in gas meters) the PGA noise may be reduced by external filter. The filter has to be configured by setting **TI_PGA_CON_MODE = 2**. This controls the internal switch to the pad INVERT_IN. The filter has to be connected between the INVERT_IN and COMP_IN pins.

The T-filter only becomes effective with high amplification. It then reduces the gain and noise of the PGA at low frequencies. From $PGA_TRIM \geq 7$ the filter reduces the standard deviation of TOF values. But it also overrides the auto-zero function, and therefore the auto-zero has to be disabled when a filter is used, **TI_PGA_AZ_DIS = 1**.

Figure 50:
Wiring with PGA external Filter

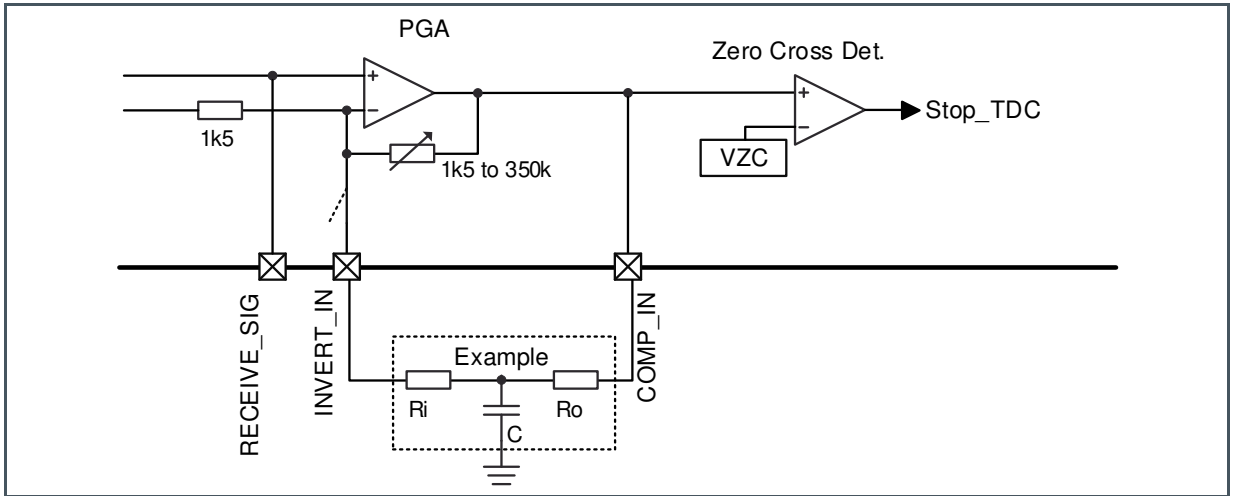
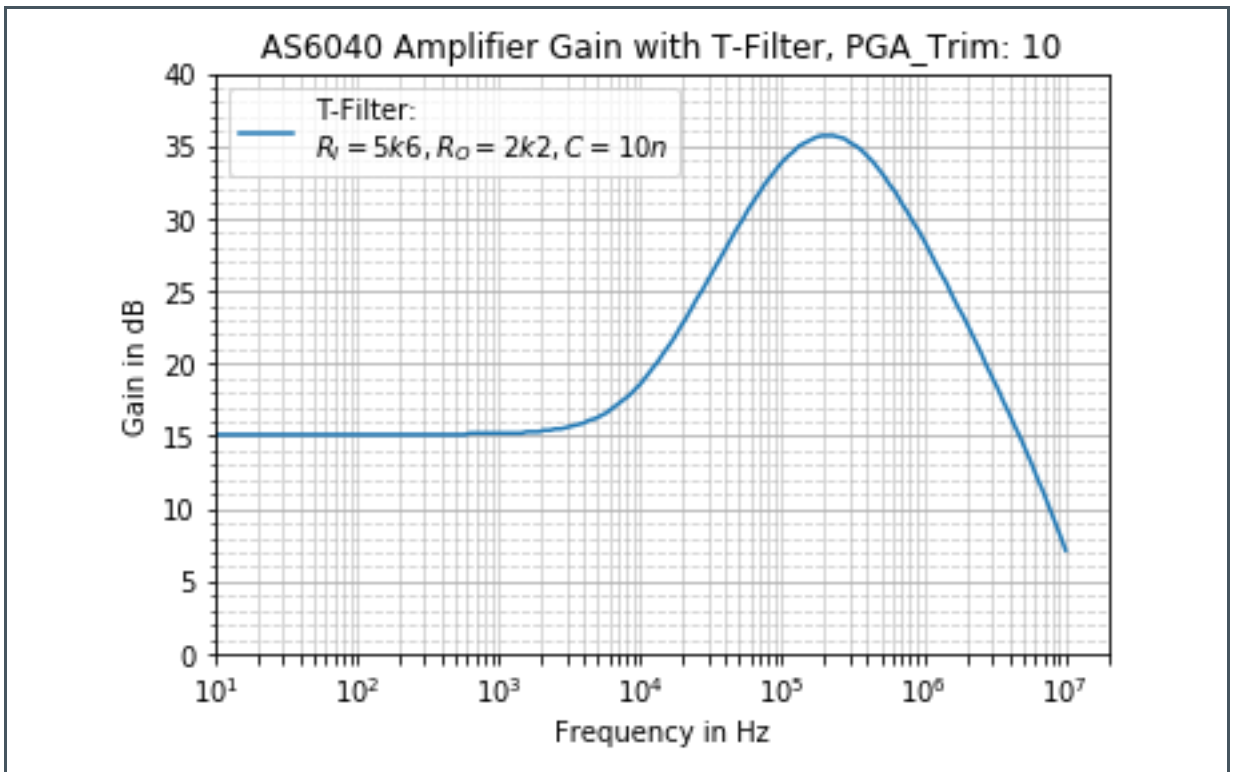


Figure 51:
PGA gain over frequency with external T-Filter



The choices for the external resistors and capacitor depend on the fire frequency for the ultrasonic transducer. For gas meters we recommend the following recommended values:

$$R_i = 5.6 \text{ k}\Omega, C = 10 \text{ nF}, R_o = 2.2 \text{ k}\Omega$$

The values for R_i and R_o can be varied from 1.8 kohms to 8.2 kohms (sum of $R_i + R_o < 10\text{ k}\Omega$). The filter capacitor can be in the range from 3.3 nF to 10 nF.

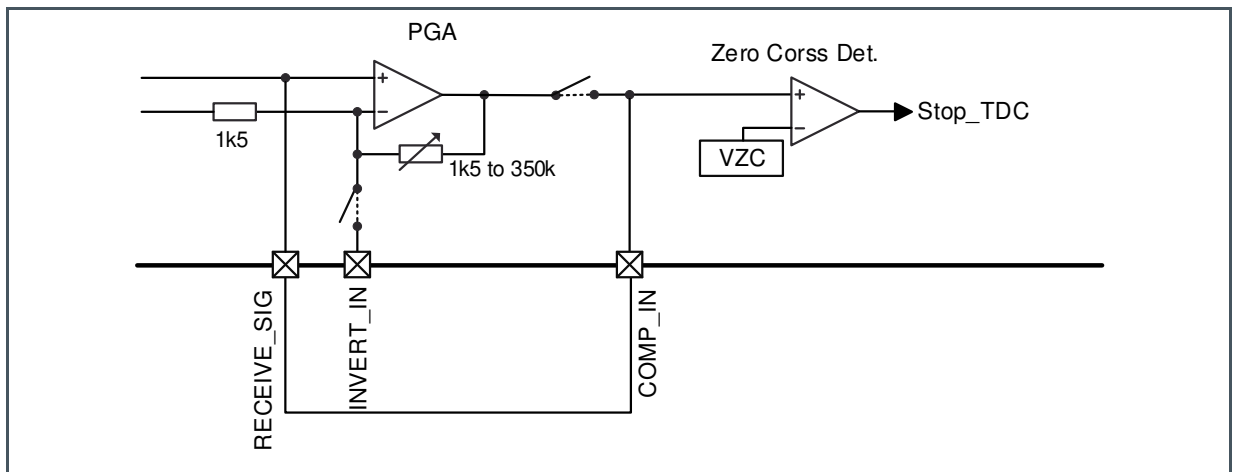
PGA Disabled

In case the receive signal is strong enough, the PGA may be disabled to save current:

- Set **PGA_MODE** = 0
- Set bit 29 in register 0x0CE = 1 (to make RECEIVE_SIG accessible)
- Connect the RECEIVE_SIG and COMP_IN pins.
- Set also **TI_PGA_CON_MODE** to b01, this opens a switch between internal PGA output and COMP_IN.

It is also possible to connect an external amplifier between the pins RECEIVE_SIG and COMP_IN if a higher bandwidth and gain is needed. GPIO_4, TI_VR_EN (b01) signal can be used to enable an external amplifier to save current.

Figure 52:
Wiring with PGA disabled



Overview of PGA Operation Modes

Figure 53:
Overview of PGA Operation Modes

Operation Mode	Description	PGA_MODE	TI_PGA_CON_MODE	RECEIVE_SIGNAL_pad switch 0x0CE b29	TI_PGA_AZ_DIS
PGA CR_USM_PRC (Ultrasonic Measurement Processing)CR_US M_PRC (Ultrasonic Measurement Processing)	PGA_TRIM < 7, when receive signal is strong enough, add 1 meg ohms resistor at COMP_IN pad to GND	1	b00	0	0
PGA with external Filter CR_USM_AM (Ultrasonic Amplitude Measurement)CR_U SM_AM (Ultrasonic Amplitude Measurement)	PGA_TRIM: 7 to 13, recommended for gas meter transducers $R_I = 5.6 \text{ kohms}$, $C = 10 \text{ nF}$, $R_O = 2.2 \text{ kohms}$	1	b10	0	1
PGA disabled	If no gain is needed, connect RECV_SIG with COMP_IN.	0	b01	1	0
PGA disabled, ext. amplifier	For an external amplifier usage.	0	b01	1	0

Figure 54:
PGA Relevant Registers

Register	Parameter	Description
CR_USM_PRC (Ultrasonic Measurement Processing)	TI_PGA_AZ_DIS TI_PGA_CON_MODE	Enable/disable auto-zero no filter/external filter between INVERT_IN & COMP_IN
CR_USM_AM (Ultrasonic Amplitude Measurement)	PGA_TRIM PGA_MODE	0 to 13: 2V/V to 132V/V PGA dis-/enabled

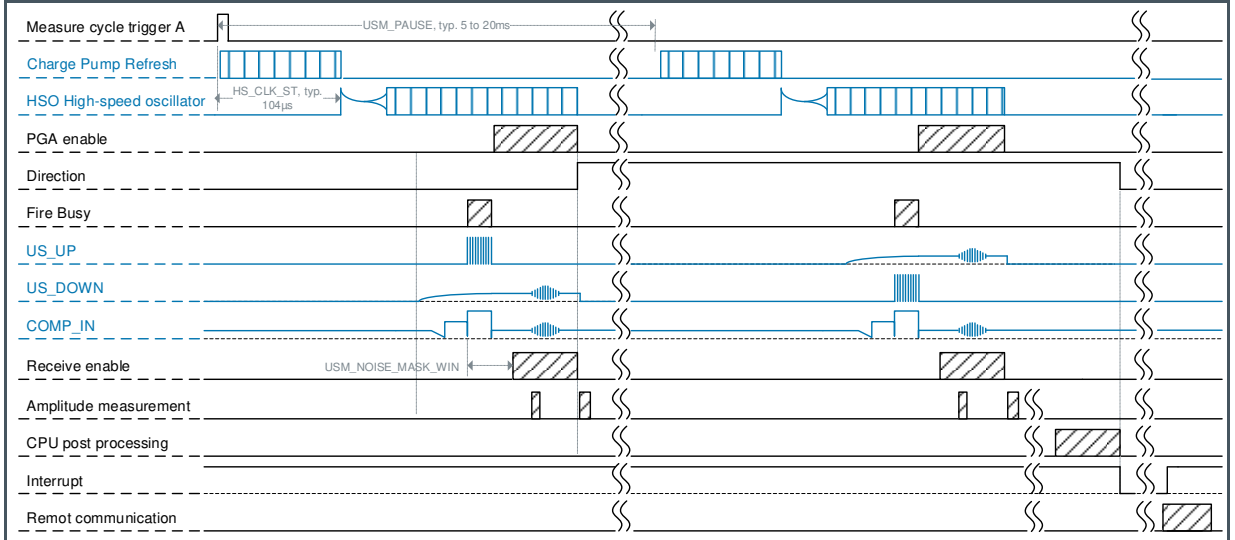
8.5 Ultrasonic Flow Measurement

8.5.1 Flow Measurement Sequence

The AS6040 manages the complete process of flow measurement, with special control of power consumption. All relevant elements, like high-speed oscillator, PGA, comparator and TDC as well as CPU, are active only for the period they are needed. This brings down the typical power consumption to the lowest possible level.

The following graph shows a complete flow measurement task with its sub-processes.

Figure 55:
Timing Diagram Flow Measurement



The ultrasonic flow sequence is made of the following steps:

Figure 56:
Flow Measurement Sequence & Parameters

Step	Register	Parameter
0	General settings:	
	CR_CPM (Clock- & Power-Management)	<p>BF_SEL sets the base frequency for the time interval between up and down measurement, as used by USM_PAUSE. According to the power net frequency, it is set to 0 := 50 Hz or 1 := 60Hz. Having a period in multiples of this frequency helps to suppress ripple voltage.</p> <p>CHP_TRIM sets charge pump multiplication factor</p> <p>CHP_HV_SEL sets charge pump voltage</p>
	CR_MRG_TS (Measure Rate Generator & Task Sequencer)	<p>MR_CT defines the measure rate cycle time. In low-power mode, this is in multiples of 976.5625 µs, as derived from the 32768Hz LSO. 0 := disabled 1 to 8191 := Cycle time = MR_CT x 976.5625 µs (LP_MODE = 1) The cycle time needs to be as short as the period of the most frequent task. In water this would be e.g. 125ms for an 8 Hz flow measurement.</p> <p>TS_PP_F_EN turns on post-processing directly after the US flow measurement (flow meter mode). With TS_MCM = 1, set TS_PP_F_EN = 0 and use TS_PP_T_EN only, With TS_MCM = 0, use TS_PP_F_EN = 1 to evaluate flow results before they are overwritten by an (optional) subsequent sensor measurement</p> <p>TS_PP_T_EN turns on post-processing as last state of the task sequencer.</p>
	CR_USM_PRC (Ultrasonic Measurement Processing)	<p>USM_DIR_MODE defines which fire buffer fires first in a flow measurement sequence. 00 := Always starting firing via UP-buffer (against the flow), 01 := Always starting firing via DOWN-buffer (with the flow) 1x := Toggling sequence with every ultrasonic measurement. This option is best to compensate for temperature drift within a measurement. A temperature drift and therefore a speed of sound change between up and down measurements will give an error. If the following measurement the error has the opposite sign when the sequence has opposite order. So in average, the error is compensated.</p>

Step	Register	Parameter															
1	Turn-on HSO and wait until the HSO has settled (start-up time)																
	CR_CPM (Clock- & Power-Management)	<p>HSC_CLK_ST defines the turn-on or settling time for the high-speed oscillator. To save current, the HSO turns on only for the TOF measurement. As the resonator needs time to establish the oscillation, there is a delay before the fire buffer send. The delay can be set in steps of 77µs, 104µ, 135 µs, 196 µs, 257 µs, 379 µs, 502 µs, ~5000 µs. b010 := 135 µs is a good setting for ceramic resonators.</p> <p>Bigger delays will increase current. 5ms would be needed only for quartz oscillators.</p>															
2	Turn-on Charge Pump																
	CR_CPM (Clock- & Power-Management)	<p>CHP_TRIM sets charge pump multiplication factor from 2 to 7</p> <p>CHP_HV_SEL sets charge pump voltage from 5.6 to 18 V</p>															
	CR_MRG_TS (Measure Rate Generator & Task Sequencer)	<p>TS_CHP_WT sets charge pump wait time for reloading before ultrasonic measurement</p> <p>00: 0.52 ms 01: 1 ms (recomm.) 10: 2.5 ms</p>															
3	Turn-on PGA and PGA Vref, Turn on the comparator and set the zero-cross offset voltage, typically 700mV plus maybe the offset. Regulate the offset and apply .																
	CR_USM_AM (Ultrasonic Amplitude Measurement)	<p>PGA_MODE enables the PGA. 0 := disabled, 1 := enabled. IN case the internal PGA is disabled, RECEIVE_SIG and COMP_IN need to be connected. Alternatively, an external amplifier can be connected.</p> <p>PGA_TRIM sets the gain of the PGA via trim bits in steps of</p> <table border="0"> <tr> <td>0 := 2 V/V,</td> <td>5 := 10 V/V,</td> <td>10 := 50 V/V,</td> </tr> <tr> <td>1 := 3 V/V,</td> <td>6 := 14 V/V,</td> <td>11 := 69 V/V,</td> </tr> <tr> <td>2 := 4 V/V,</td> <td>7 := 19 V/V,</td> <td>12 := 96 V/V,</td> </tr> <tr> <td>3 := 5 V/V,</td> <td>8 := 26 V/V,</td> <td>13 := 132 V/V,</td> </tr> <tr> <td>4 := 7 V/V,</td> <td>9 := 36 V/V,</td> <td></td> </tr> </table> <p>The final gain depends on the fire frequency due to the limited bandwidth of the PGA. At 100kHz, the maximum gain is about 200, at 4 MHz the gain is about 15.</p> <p>ZCD_FHL_INIT FWD copy of initial value for first hit levels</p> <p>Only important if autoconfig release code is set. Then, during the boot process, the according FWD cell content is copied into this register (with no further effect) but also into the register SHR_FHL_U & SHR_FHL_D from which first hit levels are supplied for dynamic operation</p>	0 := 2 V/V,	5 := 10 V/V,	10 := 50 V/V,	1 := 3 V/V,	6 := 14 V/V,	11 := 69 V/V,	2 := 4 V/V,	7 := 19 V/V,	12 := 96 V/V,	3 := 5 V/V,	8 := 26 V/V,	13 := 132 V/V,	4 := 7 V/V,	9 := 36 V/V,	
0 := 2 V/V,	5 := 10 V/V,	10 := 50 V/V,															
1 := 3 V/V,	6 := 14 V/V,	11 := 69 V/V,															
2 := 4 V/V,	7 := 19 V/V,	12 := 96 V/V,															
3 := 5 V/V,	8 := 26 V/V,	13 := 132 V/V,															
4 := 7 V/V,	9 := 36 V/V,																
4	Send fire burst																
	CR_USM_FRC (Ultrasonic Measurement Fire & Receive Control)	<p>TOF_HIT_MODE: The multi-hit mode defines whether the individual TOF data in the frontend buffer are according to a uniform receive burst (1, GP30 compatible) or a split burst. When set = 0 the 10 individual ToF data will be subsequent or split in three blocks.</p> <p>FBG_CLK_DIV is the clock divider for fire burst generator. Frequency = High speed clock divided by FPG_CLK_DIV 0,1: not allowed, 2 to 127: divided by 2 to 127</p> <p>FBG_PHASE_INS defines the phase shift in case MH-MODE is set to 0. 1 LSB: $1/(2 * f(HS_CLK))$, 0 := 2 LSBs, 1 := 2 LSBs, 2 to 255 := 2 to 255 LSBs</p> <p>FBG_MODE defines whether the inserted phase is low (0) or high (1)</p> <p>FBG_BURST_PRE / FBG_BURST_POST define the number of pulses in the initial sequence /ending sequence of the fire burst (0 to 63)</p> <p>Further details can be seen in section Multi-hit Modes</p>															
5	Receive enable. The receive path is not open instantly but after a defined window, relative to the fire burst. This allows to suppress any noise in between fire burst and receive signal.																

Step	Register	Parameter
	CR_USM_PRC (Ultrasonic Measurement Processing)	<p>USM_NOISE_MASK_WINDOW defines the window as long any signal (e.g. noise) is masked on the receive path. The start time refers to the rising edge of 1st fire pulse. Offset: -0.4 μs, 1 LSB := 1 μs</p> <p>Especially at high gain the end of the noise mask window can cause distortions. As will take 37μs to save for the amplitude measurement, the noise mask window should be set to the minimum of 0.6 μs. For sensors with >300μs time-of-flight the noise mask can be shifted closed to the receive burst.</p> <p>Those distortions can be masked by using a correspondingly configured start hit delay window.</p> <p>1: Recommended</p>
6		<p>Receive burst detection: The receive burst detection includes several task.</p> <ul style="list-style-type: none"> • Identification of the Start hit in the burst by means of first-hit level and / or release window • Do the ToF measurements according to the multi-hit mode setting • Pulse-width measurement of the 1st hit and Start hit • Sample & hold the amplitude before ToF measurement ends, then measure after the ToF measurement the discharge time to get a measure of the amplitude. <p>For details about start hit modes and multi-hit modes please see the separate sections Start Hit Modes and Time-of-Flight Measurement</p>
	CR_USM_PRC (Ultrasonic Measurement Processing)	<p>USM_TO defines the timeout limit for the ToF measurement. In case there is no water, or one of the transducers is broken, no receive signal will be seen. To limit the time and also the current, a timeout window can be set accordingly. It should be as short as possible due to the geometry and operating range.</p> <p>00 := 128 μs 01 := 256 μs 10 := 1024 μs 11 := 4096 μs</p>
	CR_USM_TOF (Ultrasonic Measurement Time of Flight)	<p>TOF_HIT_START defines the number of hits, including the first hit, before a TOF measurement is done by the TDC</p> <p>0 is not allowed, 1 is not recommended 2 to 31</p>
	CR_USM_AM (Ultrasonic Amplitude Measurement)	<p>PWD_EN enables the pulse width detection (1 := active).</p> <p>The pulse width ratio is an indication of how close the initial offset of the comparator is to the peak of the first hit. If active, the pulse width of the first hit (offset $V_{FHL} > 0$) is measured as well as the pulse width of the Start hit (offset $V_{ZCD} = 0mV$) are measured, the ratios for up and down are calculated and stored as ultrasonic pulse width ratios in data buffers FDB_US_PW_U and _D.</p> <p>This information can be used to do a first-hit level regulation. A good value is in the order of 0.6 to 0.7. In case the ratio exceeds the limits the first-hit level should be adjusted.</p> <p>Wrong readings of the pulse width are often caused by misinterpretation of noise or distortions before the receive burst as first hit. In such cases, use the delay windows to filter.</p>
	SHR_USM_RLS_DLY_U (Ultrasonic Release Delay Up) SHR_USM_RLS_DLY_D (Ultrasonic Release Delay Down)	<p>USM_RLS_DLY_D does the same in down direction</p>
	SHR_FHL_U (First Hit Level Up) SHR_FHL_D (First Hit Level Down)	<p>ZCD_FHL_U and _D set the first hit detection level with 1 LSB = 0.88mV.</p>

Step	Register	Parameter
7		<p>Amplitude measurement.</p> <p>The amplitude measurement starts with sample & hold of early amplitudes, beginning with the first wave. The number can be configured and is set relatively to the first hit. The conversion then, a discharge time measurement, starts after the end of the TOF measurement.</p> <p>For reference, in a calibration task the discharge times of two fixed voltages are measured.</p> <p>The features are:</p> <ul style="list-style-type: none"> • True peak amplitude measurement with every TOF (configurable) • Highly reliable bubble and aging detection • Very good consistency check in comparison to first hit detection • Easy quality check in production and development • Configurable number of hits to stop the amplitude measurement – this allows to measure the peak amplitude of each single wave at the start of the burst signal (but only one single value in each TOF measurement) <p>The raw data are stored in the front end data buffer in nanoseconds format:</p> <p>FDB_US_AM_U \equiv <i>AMUp</i> [ns] FDB_US_AM_D \equiv <i>AMDown</i> [ns] FDB_US_AMC_VH \equiv <i>AMChigh</i> [ns] FDB_US_AMC_VL \equiv <i>AMClow</i> [ns]</p> <p>Note: during operation, the relative time information is fully sufficient for amplitude comparisons and there is no need to calculate the voltage.</p> <p>For the calculation of the amplitude in mV see appendix Amplitude Calculation.</p>
		<p>CR_USM_AM (Ultrasonic Amplitude Measurement) AM_PD_END defines the end of the peak detection in number of hits after ultrasonic release condition. 0, 31 := not allowed 1 to 30 := after 1 to 30 detected hits. Typically 5 to 8 is a good choice.</p>
8		<p>Measure in opposite direction</p> <p>With the end of the amplitude measurement, the measurement in one direction is finished. The measurement in the opposite direction follows after some time. This period is ideally in multiples of the power net frequency to suppress noise. With USM_PAUSE = 0 only one measurement will be done.</p> <p>The full actions from above apply to this second measurement.</p>
		<p>USM_PAUSE defines the pause time between two ultrasonic measurements. The typical setting is $1.0 * T(\text{BF_SEL}) = 20\text{ms}$ for 50Hz power net and 16.66ms for 60Hz power net, for optimal noise suppression</p> <p>000 := no pause, only 1 measurement is done, in the direction set in USM_DIR_MODE</p> <p>CR_USM_PRC (Ultrasonic Measurement Processing) 001 := not allowed 010 := $0.25 * T(\text{BF_SEL})$ 011 := $0.5 * T(\text{BF_SEL})$ 100 := $1.0 * T(\text{BF_SEL})$ 101 := $1.5 * T(\text{BF_SEL})$ 110 := $2.0 * T(\text{BF_SEL})$ 111 := $2.5 * T(\text{BF_SEL})$</p>
9		<p>In flow meter mode, the CPU will start post processing as soon as the measurement has finished.</p> <p>Therefore, the chip needs a firmware. Users can write their own firmware, based on our sample code. Or they may use AS6040 with the ScioSense flow calculation code for water meters.</p> <p>At the end of the processing, the firmware has to set back the watchdog and to set the interrupt.</p>
		<p>CR_MRG_TS (Measure Rate Generator & Task Sequencer) TS_PP_F_EN := 1 enables the post-processing after an ultrasonic flow measurement use only with TS_MCM = 0 to evaluate results before they get possibly overwritten TS_PP_T_EN := 1 enables the final post-processing at the end of the task sequence</p>
		<p>Set interrupt</p> <p>Depending on configuration, the interrupt is set by end of the task sequencer (time conversion mode) or by the firmware (flow meter mode).</p>

Step	Register	Parameter
		<p>IRQ_EN_TSQ_FNS :=1 sets the interrupt pin with the end of the task sequencer (time conversion mode or flow meter mode)</p> <p>IRQ_EN_FW_S :=1 sets the interrupt pin by the firmware, synchronized with firmware. (flow meter mode only; can be used to get an interrupt only on request, see below)</p>
	CR_IEH (Interrupt & Errorhandling)	<p>An external controller can send command RC_COM_REQ to AS6040 to request a remote</p> <p>An external controller can send command RC_COM_REQ to AS6040 to request a remote communication at an arbitrary time. This causes that COM_REQ will be set in register SRR_MSC_STF. By polling this status flag, the firmware is able to trigger remote communication by setting FW_IRQ_S as described below.</p>
	SHR_EXC (Executables)	FW_IRQ_S , 1:= Requests a the firmware-triggered interrupt, synchronized with the task sequencer
<p>Remote communication</p> <p>With the interrupt pin being set, the remote controller can start communication.</p> <p>For details on the remote communication see section Remote Communication (Opcodes)</p>		

Note: Avoid having the timeout value for a TOF measurement (**USM_TO**) less than the length of the fire burst length and also less than the Noise_Mask_Win. Otherwise a TOF Timeout error is set and the USM sequence is not aborted after TOF timeout. TOF timeout has to take as much time as fire pulses or Noise Mask time is set.

8.5.2 Time-of-Flight Measurement

The AS6040 is based on TDC (time-to-digital converter) technology and uses a precise zero-crossing detection of the individual waves of the receive pulse to determine the travel time of the ultrasonic burst. To trigger not on any noise peaks in between fire and send pulse, AS6040 has three methods implemented:

- A first hit level detection implemented, which identifies the receive burst by setting a trigger level for the receive signal. Once the signal surpasses this level, the comparator level is set back to zero. This works fine with fast rising receive signals. It is supported by pulse width measurement and amplitude measurement.
- A delay window can be set to suppress any triggers. This window needs to be adjusted continuously to handle temperature drifts. This method may be sufficient in stable systems like heat meters, with slow amplitude variations and stable flow.
- New: Phase insertion in the fire burst. The phase jump can be detected in the receive data and give an unique identification of the position within the receive burst.

8.5.3 Multi-hit Modes

AS6040 has two multi-hit modes that change the content of the individual FDB_TOF registers according to the shape of the fire burst. In both modes, the addresses 0x80 and 0x84 hold the main data FDB_US_TOF_SUM_OF_ALL_U and ..._D. For addresses 0x88 ad higher the data are different.

For a split burst individual TOF are provided that allow to detect phase jumps.

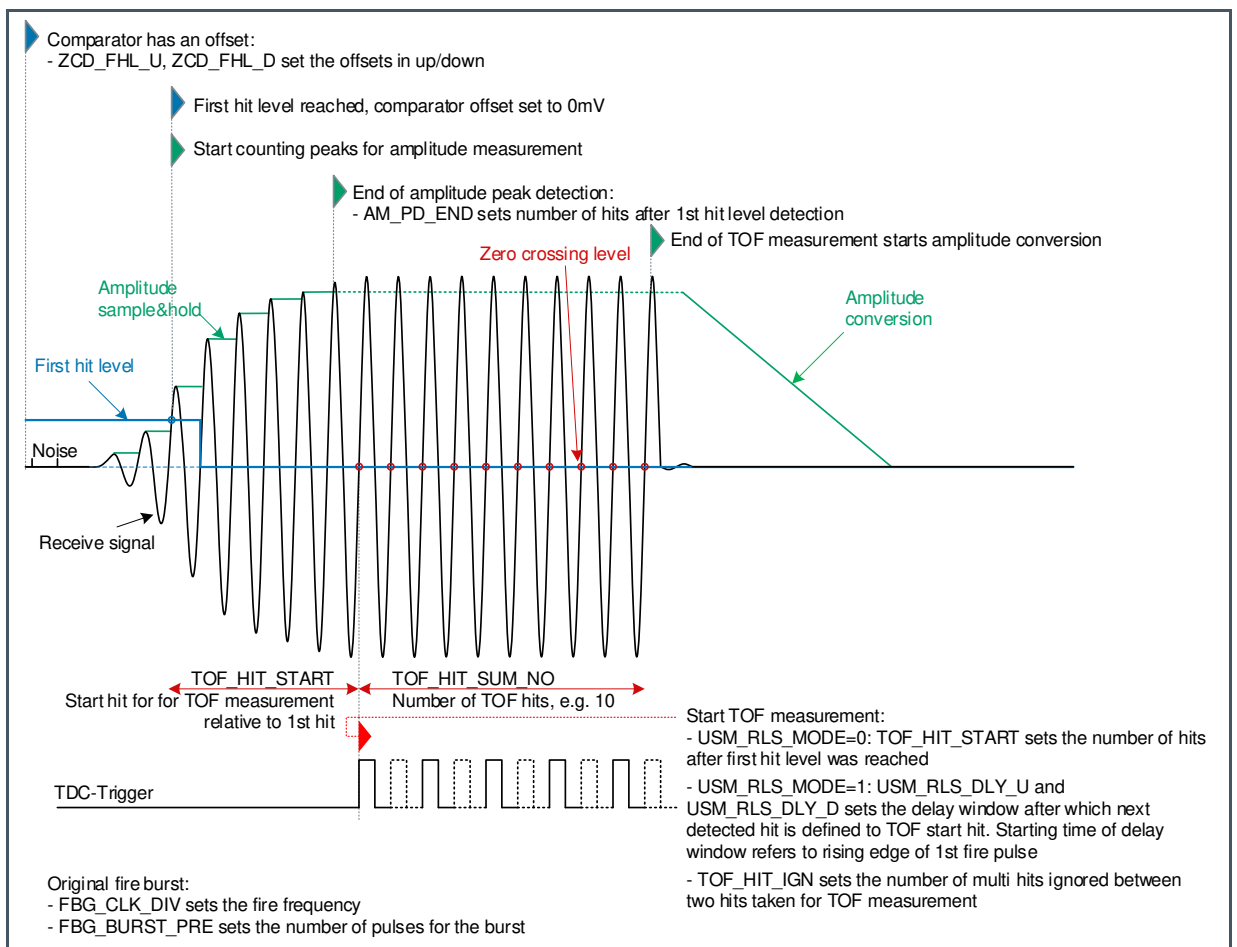
- Uniform burst:** This is compatible to TDC-GP30. After first hit-level detection or release delay window opening, a set number of subsequent zero-crossings is measured.
TOF_HIT_MODE = 1 adjust the TOF data output in the FDB up to 10 subsequent ToF data.
- Split burst** In this mode, in addition a phase shift is introduced. The fire burst is made of two sequences, separated by a phase shift defined through **FBG_PHASE_INS**.
TOF_HIT_MODE = 0 The ToF data are also split, in three segments to identify the phase jump.

Uniform burst (GP30 compatible)

The following diagram shows in detail the receive signal and in multi hit mode TOF_HIT_MODE = 1. The frontend data buffer holds the sums of the subsequent zero-crossing measurements in addresses 0x80 and 0x88, and the individual zero-crossing measurements of the first 10 hits, including the start hit. This is similar to TDC-GP30.

Note: In this mode, TOF_HIT_MODE =1, it is mandatory to set TOF_HIT_END =127 and TOF_HIT_TO_SEL = 0.

Figure 57:
Time-of-flight measurement



Split burst (phase insertion)

In AS6040 a new additional method for burst identification is implemented, called phase insertion. The fire burst splits in two parts, an initial sequence and an ending sequence. Each part has its number of pulses, and the inserted phase can be set to a phase shift defined through **FBG_PHASE_INS**

While the piezo oscillation transits from the imposed initial sequence to the ending sequence, a deviation in the periods of the receive burst can be observed. The beginning of this deviation has a fixed relation to the phase shift in the fire burst and therefore can be used to identify the position of the hit numbers.

With TOF_HIT_MODE = 0, the TDC measures the set number of TOF hits, three additional hits following, and additional four hits starting with the end of multi-hit setting. In the front-end data buffer the user can read

- US_TOF_SUM_OF ALL _U/D, Sum over all hits as set in TOF_HIT_SUM_NO
- The first three hits, US_TOF_0_U/D, US_TOF_1_U/D and US_TOF_2_U/D
- Additional three hits after the number of hits set for multi-hit, US_TOF_3_U/D, US_TOF_4_U/D and US_TOF_5_U/D
- Four additional hits, beginning with the hit as set in multi-hit end, TOF_HIT_END.

Following figures show a typical sequence.

Figure 58:
Split Fire Burst

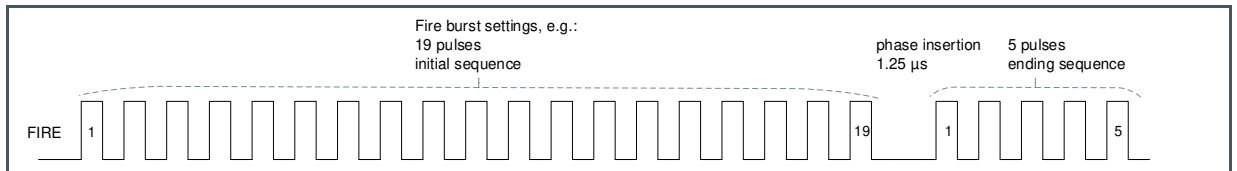
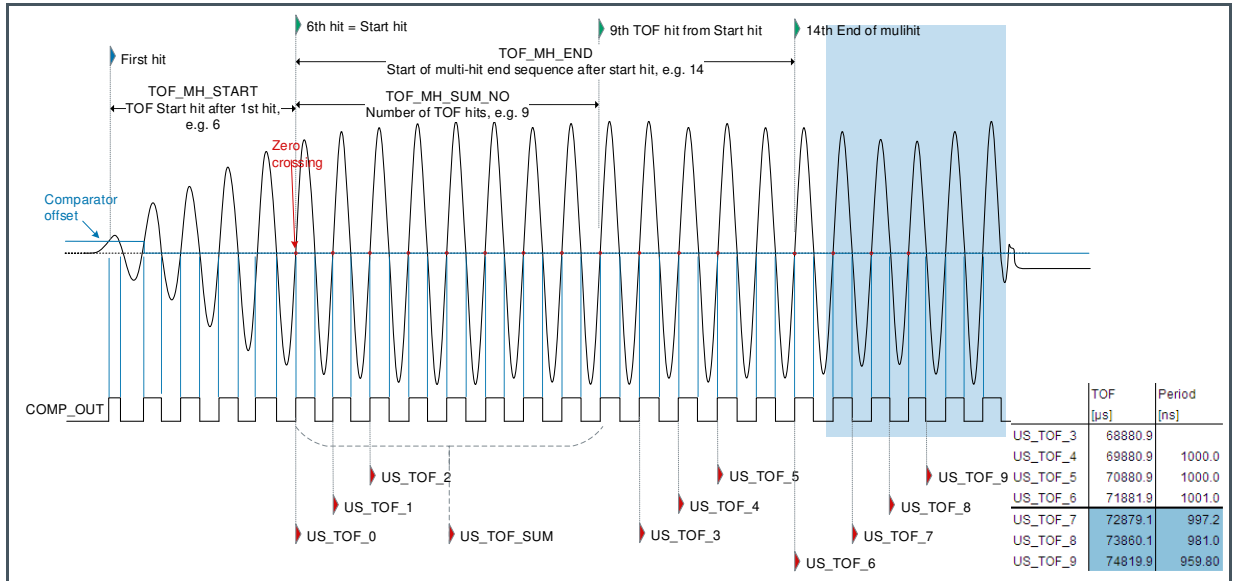


Figure 59: Receive with Split Burst, TOF_HIT_MODE = 0



Relevant Registers

The table below lists most important registers and parameters for setting this multi-hit mode.

Figure 60:
Multi-hit Mode Relevant Registers

Register	Parameter	Description
CR_USM_FRC (Ultrasonic Measurement Fire & Receive Control)	FBG_CLK_DIV	Clock divider for the fire burst generator frequency, 2 to 127
	FBG_MODE	0 := Insertion of low phase 1 := insertion of high phase
	FBG_PHASE_INS	Size of inserted phase in multiples 2 to 255 of 1 LSB = $1/(2 \times f_{HS_CLK})$ 0, 1 and 2 set all 2 LSB Recommended is 3xLSB or 5xLSB
	FBG_FIRE_BURST_PRE	Sets 1 to 63 pulses for the initial sequence (pre-burst). This number shall take into account TOF_HIT_START + TOF_HIT_SUM_NO plus a small number for the very first waves before 1 st -hit level detection
	FBG_FIRE_BURST_POST	Sets 1 to 63 pulses for the ending sequence (post-burst). This number plus the pre-burst number shall take into account TOF_HIT_START + TOF_HIT_END plus minimum 3
	TOF_HIT_MODE	= 0 sets the TOF data output in the FDB to multi-hit mode
CR_USM_TOF (Ultrasonic Measurement Time of Flight)	TOF_HIT_START	Defines the number of hits, including the first hit, before a TOF measurement is done by the TDC 0 is not allowed, 1 is not recommended 2 to 31
	TOF_HIT_SUM_NO	Number of hits taken for sum value of TOF measurement 1 to 31 Note: The sum of TOF values may not exceed 16 ms @ 4 MHz, 8 ms @ 8 Mhz. Individual TOF values shall not exceed 4 ms @ 4 MHz, 2 ms @ 8 MHz

Register	Parameter	Description
	TOF_HIT_END	Defines the hit, counted from the Start hit, that triggers the multi-hit end sequence 1 to 127
	TOF_HIT_IGN	Number of ignore hits between two hits taken for TOF measurement. Must be set to 1 or higher if incoming multihits has a shorter distance than 400ns (> 2.5 MHz receive burst frequency)

Zero Crossing Detection

The zero line of the receive signal is structurally given by the hard-coded Vref level (typically 0.7 V). The zero cross detection level V_{ZCD} is the corresponding reference level of the comparator and is defined in register **SHR_ZCD_LVL**. To ensure that the comparator correctly detects zero crossings of the signal, V_{ZCD} has to be calibrated to V_{ref} regularly. Basically, this compensates the offset of the comparator. The calibration is automatically done once after power-on, and then at a rate defined in register **CR_USM_PRC**, **ZCC_RATE**. In typical applications it is sufficient to do the zero cross calibration with every 100th cycle, having **ZCC_RATE** = 7.

The calibration automatically updates the value in **SHR_ZCD_LVL**, such that the user does not need to take any action. Note that the value in **SHR_ZCD_LVL** may be changed by the user, but such changes are overwritten by the next comparator offset calibration, except **ZCC_RATE** = 0.

8.5.4 Start Hit Modes

An ideal time-of-flight measurement would compare the very first edge of the receive signal against the first edge of the fire burst. In the real world, the receive signals first wave is far too small and the first 3 to 5 zero crossings are not really stable as the transducers with their own resonance frequency need some time to follow the forced fire frequency. Therefore a zero-crossing in the stable center of the burst is selected as start hit for the TOF measurement.

Two modes are implemented to detect the right wave for the start hit:

- Release delay: A time is set from the first fire pulse until the start hit counter begins to count a programmable number of zero crossings before he starts to take measurements with the start hit.
- Combined (Release delay plus first hit detection): A time is set from the first fire pulse until the first hit level detection gets active. For this the the compataor is set to a first hit level (FHL) > 0 to detect a wave of reasonable amplitude. Once this is detected, the comparator level goes back to zero and the strat hit counter behins to count the programmable number of zero crossings before he starts to take measurements with the start hit.

Figure 61: Release delay

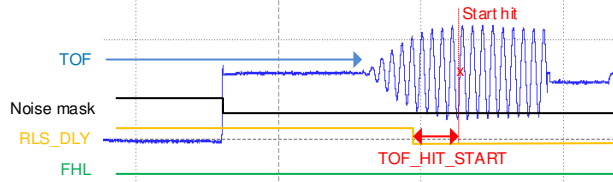
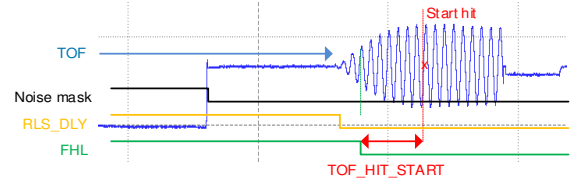


Figure 62: Combined Release delay and first hit detection



Release Window Only

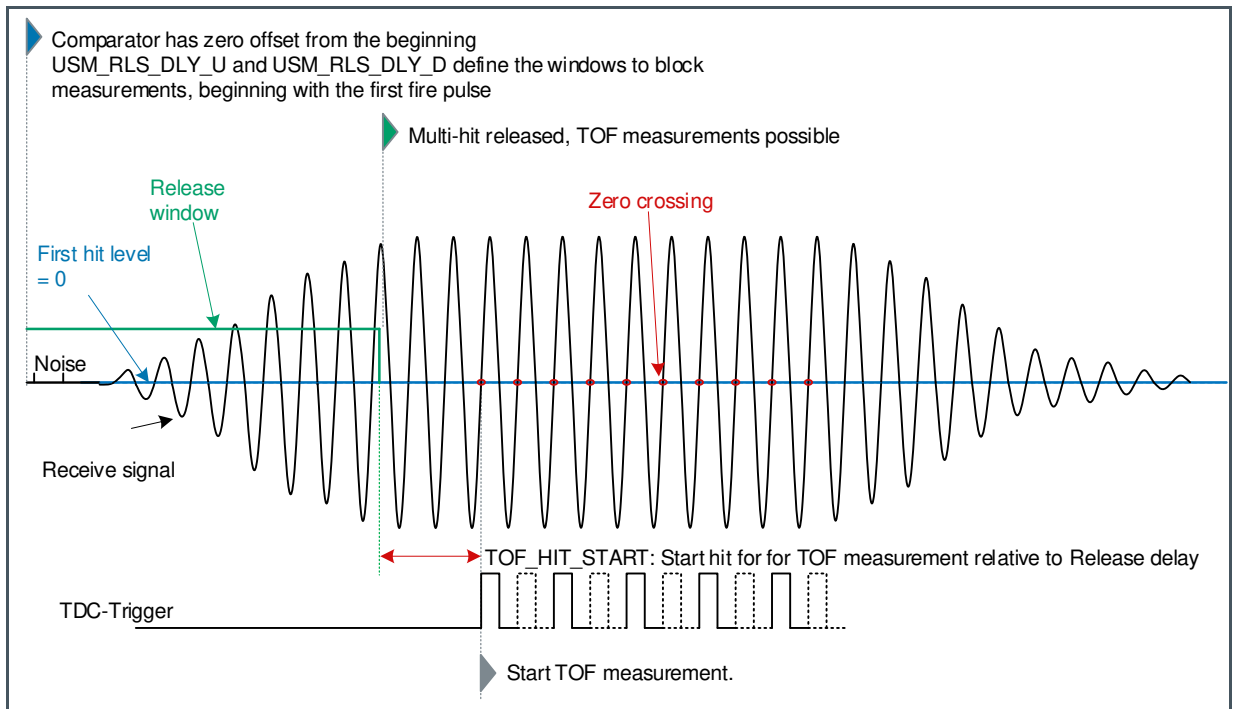
Some applications may use transducers with high Q = narrow bandwidth, with the disadvantage of a very slow settling time. This ends with very small amplitude differences from peak to peak, which makes it difficult to use first-hit level detection. In this case, a fixed but programmable window can be used that releases the TDC input after a fixed but programmable time.

The time starts with the first fire pulse, and can be programmed for up and down direction independently. The precision of the 19-bit values is 1LSB = 7.8125 ns with 4MHz.

Register SHR_USM_RLS_DLY_U	Parameter USM_RLS_DLY_U
Register SHR_USM_RLS_DLY_D	Parameter USM_RLS_DLY_D

The challenge here is to track and control the window by software to cover drifts over temperature (speed of sound).

Figure 63:
Release Window



Combination First Hit Detection plus Release Window

Ideally, the first hit detection is combined with release window. This combination can be activated in configuration register CR_USM_PRC (Ultrasonic Measurement Processing), setting bit **USM_RLS_MODE** = 1 and having a first hit level $FHL \geq 0$. **TOF_HIT_START** defines the number of hits from the first hit as detected by the FHL to the start hit, which is the first of the TOF measurements.

The release window should be set a little bit less than the shortest time-of-flight possible over the whole temperature range. This window will suppress noise in advance to the receive burst. Note that the noise mask window switches between send and receive path. Switching the capacitive load will generate noise or oscillations with the noise mask opening. By means of the release delay the first hit level detection will work properly.

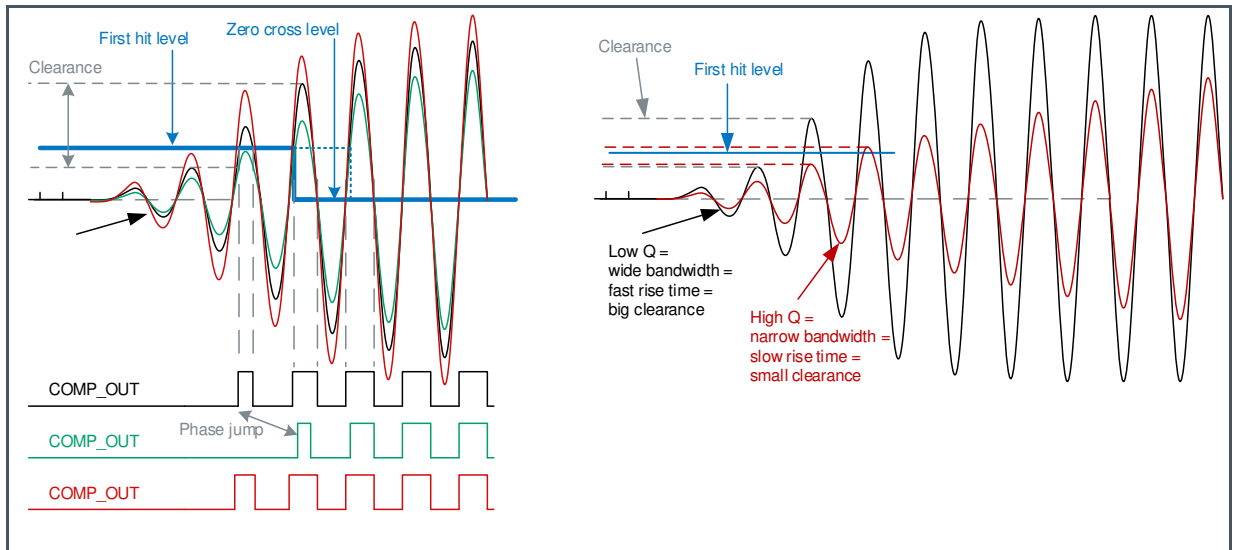
First Hit Detection

This method looks for the first wave that exceeds a programmable voltage level above the zero level of the comparator input, the so-called first hit level (FHL). The first wave of the receive burst that is higher than this level triggers the start hit counter. In addition, the comparator's reference is brought back to zero cross detection level (V_{ZCD}) at the 2nd hit, and the subsequent hit measurements are done at zero crossing. The following parameters define the first hit detection and the TOF hits:

- The trigger level ZCD_FHL, which defines the comparator offset level V_{FHL}
- The count number of the first subsequent TOF hit (Start hit) which is actually measured

- The number of measured TOF hits
The right choice for TOF_HIT_START depends on which zero crossing is the first to be sufficiently stable and low-noise enough for taking it into account.
TOF_HIT_START ≥ 2 (in CR_USM_TOF[5:1])

Figure 64:
First Hit Level Detection



Starting the measurement with the comparator offset V_{FHL} different from zero, e.g. 50 mV, helps suppressing noise and allows the detection of a dedicated wave of the receive burst that can be used as reference. Once this first wave is detected, the offset is set back to the zero cross detection level V_{ZCD} . It is recommended to start actual TOF hit measurements after at least two more wave periods. The maximum value for the V_{FHL} is 175 mV.

AS6040 allows to set different first hit levels for up and down measurement. This allows to handle transducer pairs with different amplitudes. This e.g. appears if the sensors are pressure sensitive and there is some pressure loss across the measurement path. The combination will lead to different amplitudes in up and down direction with increased flow.

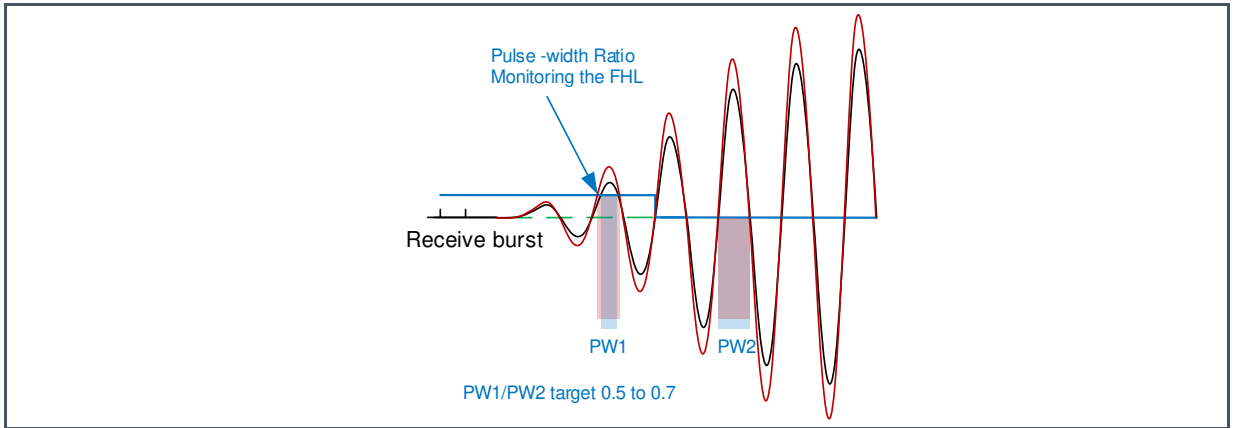
In general, the first-hit level method needs a fast rise of the receive burst's amplitude. In other words, it is not suited for high-Q transducers that take a long time for settling, because then the clearance (amplitude difference from wave to wave) is not sufficient.

Pulse Width Measurement

The information of pulse width is used to monitor how close the first hit level is to the margins. Therefore, the device measures the pulse width of the first hit, with the comparator being at the first-hit level. This is compared with the pulse width of the Start hit, where the comparator is at zero cross level. By nature, the ratio is less than one. If the amplitude decreases at a given first hit level, the pulse width will decrease, too. At the point when the amplitude of the current wave falls below the first

hit level, the next wave will be taken for first hit. The pulse width ratio will jump from a very small value to a high value.

Figure 65:
Pulse Width Ratio



One method of regulating the first-hit level would be to set upper and lower limits for the pulse width ratio, e.g. 0.5 to 0.7. Then, when the pulse width ratio reaches those limits, the FHL level is increased or decreased accordingly.

The result of the pulse width measurement is stored in the frontend data buffer.

Figure 66:
FDB for Pulse Width Measurement

Addr	Name	Description
0x081	FDB_US_PW_U	Ultrasonic Pulse Width Ratio Up
0x085	FDB_US_PW_D	Ultrasonic Pulse Width Ratio Down

This data format is an 8-bit fixed point number with 7 fractional bits, ranging from 0 to 1.992.

For further details on first hit level regulation please refer to our application note.

Relevant Registers

The table below lists most important registers and parameters for setting this first wave detection.

Figure 67:
Relevant Registers for First Wave Detection

Register	Parameter	Description
	PWD_EN	Enables pulse width detection 0: off 1: on

Register	Parameter	Description
CR_USM_AM (Ultrasonic Amplitude Measurement)	ZCD_FHL_INIT	FWD copy of initial value for first hit levels Only important if autoconfig release code is set. Then, during the boot process, the according FWD cell content is copied into this register (with no further effect) but also into the register SHR_FHL_U & SHR_FHL_D from which first hit levels are supplied for dynamic operation
SHR_ZCD_LVL (Zero Cross Detection Level)	ZCD_LVL	Zero Cross Detection Level 1 LSB: ~ 0.88 mV
SHR_FHL_U (First Hit Level Up)	ZCD_FHL_U	First Hit Level Up 1 LSB ~ 0.88 mV, maximum 175mV
SHR_FHL_D (First Hit Level Down)	ZCD_FHL_D	First Hit Level Down 1 LSB ~ 0.88 mV, maximum 175mV

8.5.5 Amplitude Measurement

The amplitude measurement is done by a single slope AD-conversion of a stored peak amplitude value. In practice, this means a sample & hold detector stores the amplitude peak value during the measurement interval (between the first wave and the configured end of the measurement) in a capacitor. This capacitor is then discharged at a constant current down to V_{ref} , which yields a discharge time measured by the internal TDC.

The amplitude measurements has its limitation especially at high fire frequencies (1MHz) because the sample circuit can't follow the amplitude fast enough. Therefore, the measured amplitude for the first rising waves will be lower than the real one. We recommend an integration time of 10 μ s to capture the correct peak voltage.

The amplitude measurement units starts with the noise mask window. The amplitude measurement itself needs some time for initialization, t_{amp_ini} , in the order of 10 to 70 μ s (depending on voltage and temperature). The peak detection starts then, according to the start hit mode, after the SHR_USM_RLS_DLY_U/D (see start hit modes) has expired or the first hit level has been detected.

The amplitude measurement is calibrated against two reference level measurements at nominal offset levels of V_{ref} and $V_{ref}/2$, respectively. From these two reference time measurements, slope and offset of the calibration curve can be calculated, which permits to calculate actual values for the measured peak amplitudes. The rate and interval length of amplitude measurements, and the rate of calibrations can be configured.

Figure 68:
Amplitude Measurement

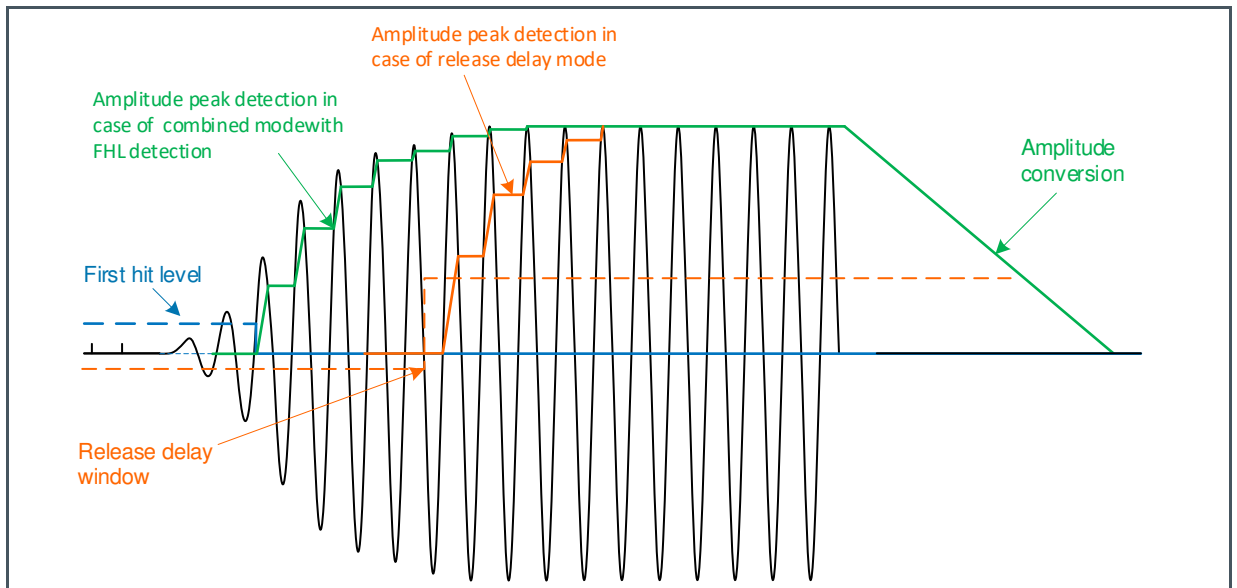


Figure 69:
Relevant Registers Amplitude Measurement

Register	Parameter	Description
CR_USM_AM (Ultrasonic Amplitude Measurement)	AM_RATE	Amplitude measurement rate, maybe off or every single, 2 nd , 5 th , 10 th , 20 th , 50 th , or 100 th TOF measurement. Usually it should be done with every TOF measurement. So AM_RATE = 1 is recommended.
	AM_PD_END	End of peak detection, defined by number of detected hits 0, 31: not allowed 1 to 30: after 1st to 30 th detected hit It depends on the rise time of the receive signal, which wave gives a reasonable amplitude information. With suitable transducers, having a fast rise time, a setting between 5 and 8 is a good choice. Necessary condition to avoid a time condition: $AM_PD_END \leq \text{End of TOF measurement}$
	AMC_RATE	Defines the repetition of the amplitude calibration. Settings off, or every single, 2 nd , 5 th , 10 th , 20 th , 50 th , or 100 th amplitude measurement. In typical applications it is sufficient to have the amplitude measurement calibration with every 50 th amplitude measurement, setting AMC_RATE = 50

The resulting measurements are then stored as raw TDC values in the frontend data buffer.

The format of the TDC values is 32 bit data with 1 LSB: $1/2^{16} * t_{\text{period(HSO)}}$, $t_{\text{period(HSO)}} = 250 \text{ ns}$ at 4 MHz,
= 125 ns with 8 MHz.

Figure 70:
FDB in case of ToF

Addr	Name	Value	Description
0x082	FDB_US_AM_U	AM _{up}	Ultrasonic Amplitude Value Up
0x083	FDB_US_AMC_VH	AMC _{high}	Ultrasonic Amplitude Calibrate Value High
0x086	FDB_US_AM_D	AM _{down}	Ultrasonic Amplitude Value Down
0x087	FDB_US_AMC_VL	AMC _{low}	Ultrasonic Amplitude Calibrate Value Low

Those time data are converted into voltage by means of the formulas given in appendix 15.6.

It is, however, not necessary to calculate actual amplitudes in mV since the measured time values themselves can be used for relative amplitude comparison. In this case, the calibration values are used in reverse way to derive time values for amplitude comparison, for example from given limits.

While the amplitude measurement is repeatable and stabilized through calibration, it is still not a high-precision measurement. In the final measurement result an offset of a few mV typically remains, that also depends on the fire frequency. Since amplitude measurement always starts at the first wave, it should be clear that the result can never be smaller than the first hit detection level V_{FHL} .

Note that the peak detection can be configured to end at any hit after start condition (first hit level or hit release delay). This way it is possible to measure the peak amplitudes of receive burst hits during its rise individually. Of course, this requires several separate measurements with different configurations. As an alternative, the amplitude measurement can be stopped after the first wave already, and the first hit level is then increased in steps of 1mV. The resulting data can be used as basis for the selection of the right first hit level.

8.6 Temperature Measurement

AS6040 has a highly accurate interface for resistive temperature sensors. All these resistive measurements are based on discharge time measurements, using a fixed load capacitor and discharging this one sequentially through the sensor resistors and a reference resistor. The sensors' resistance is defined by calculating the ratio of sensors' discharge time and reference resistor's discharge time.

The unit can handle various modes, based on following possible configurations:

- An internal temperature sensor with 3000ppm/K and an internal reference with 100ppm/K
- 1 or 2 external temperature sensors in 2-wire or 4-wire connection

For precision temperature measurement with mK precision, as needed in heat meters, platinum resistors (PT500 or PT1000) are recommended. The external load capacitor should be of C0G material. X7R will need more fake measurement to get into a micromechanical stable mode. Heat meters will need two sensors, for hot water (incoming) and cold water (outcoming). Water meters will need a temperature sensor only in case of hot water meters with temperatures above 60°C. In cold water meters the temperature can be calculated from the sum of time-of-flight.

The mode selection will define the sequence of the activation of the internal switches. This includes also compensation measurements that correct for $R_{ds(on)}$ (switch resistance) and gain (comparator delay).

2-wire measurements are good for sensor temperature measurements or other resistor measurements with medium accuracy demands. They require calibration for their offset resistances. 4-Wire measurements are more accurate, but require the according 4-Wire sensor cabling.

4-wire measurements compensate for cable and connection resistance. This is preferred in case of screwed or plugged sensor connections. This mode achieves a mathematical precision of 10mK.



Attention

Note. Both methods cannot compensate for variations in cable capacitance. Therefore, the AC-based measuring unit cannot be used for long cables (> 1.5m).



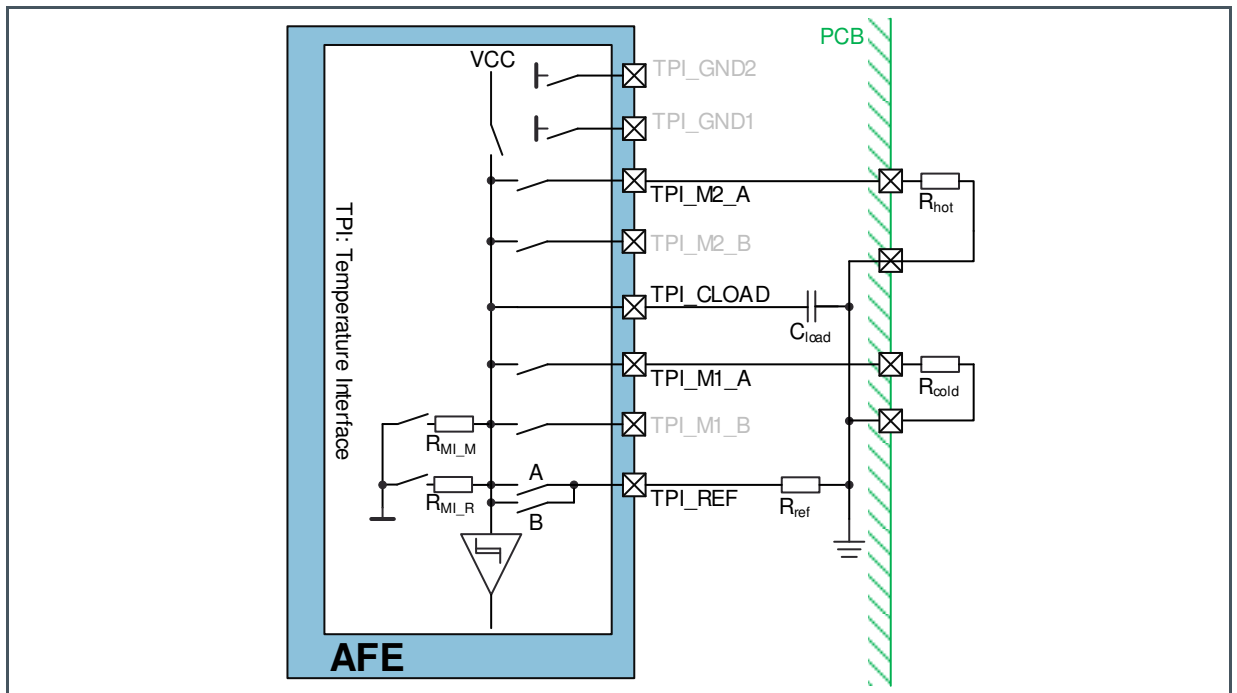
Information

In case the temperature measurement unit is not used, we recommend to connect a standard 100nF capacitor to pin TPI_CLOAD. All other pins may be left not connected.

8.6.1 2-Wire Temperature Mode

In 2-wire temperature mode, the temperature interface does a sequence of resistor measurements at the external ports, for 1 or 2 sensors and for the reference resistor. The sensors are connected to the chip as drawn in the next figure:

Figure 71:
Temperature sensor, 2-wire connection



A measurement sequence for 2 sensor looks like the following:

1. 2 fake measurements with C0G capacitors (8 for X7R capacitors). The capacitor is discharged but without any time measurement. This is to stabilize the load capacitor. They are followed by the first measurement **M1**.
2. t_{M1A} is measured by closing the switch for the resistor at pin TPI_M1_A
3. t_{M2A} is measured by closing the switch for the resistor at pin TPI_M2_A
4. t_{RAB} for the reference at pin TPI_REF by closing both switches.
5. $t_{R_{ds(on)}}$ for the $R_{ds(on)}$ compensation, measuring at pin TPI_REF by closing one switch only.
6. t_{gain} for the gain compensation, with the switches at TPI_REF and TPI_M1A being closed
7. Repetition of sequence 2. To 6. In reversed order.

Results of these five measurements are stored in the data buffer:

Figure 72:
FDB in case of Temperature Measurement

Addr	Name	Unit	Seq.	Time	Description
0x080	FDB_TPM1_M1AB_RAB_G12	C	1	t_{gain}	Gain compensation
0x081	FDB_TPM1_RAB_G12			t_{RAB}	Reference port REF-AB
0x082	FDB_TPM1_M1A_G12	T		t_{M1A}	Temperature port M1-A

Addr	Name	Unit	Seq.	Time	Description
0x083	FDB_TPM1_M2A_G12			t_{M2A}	Temperature port M2-A
0x084	FDB_TPM1_RA_G12	C		t_{Rdson}	RDSON compensation
0x08E	FDB_TPM2_M1AB_RAB_G12	C		t_{gain}	Gain compensation
0x08F	FDB_TPM2_RAB_G12			t_{RAB}	Reference port REF-AB
0x090	FDB_TPM2_M1A_G12	T	2	t_{M1A}	Temperature port M1-A
0x091	FDB_TPM2_M2A_G12			t_{M2A}	Temperature port M2-A
0x092	FDB_TPM2_RA_G12	C		t_{Rdson}	RDSON compensation

The raw results given here are raw TDC values. They can be converted to actual times by multiplying with $t_{HSO}/2^{16}$. But since in the final calculation only ratios of values will be used, this conversion into time is not needed.

t_{M1A} , t_{M2A} and t_{RAB} correspond to the total resistance values of the measured network, including internal switch resistances. To remove the influence of switch resistances and comparator delay, measurements t_{Rdson} "and" t_{gain} should be used according to the following equations⁽¹⁾:

$R_{ds(on)}$ correction (the correction of switch resistances)

$$t_{RO} = t_{Rdson} - t_{RAB}$$

Schmitt trigger delay compensation⁽²⁾

$$\Delta t = 2t_{gain} - 2 \frac{t_{M1A} t_{RAB}}{t_{M1A} + t_{RAB}}$$

Note that the Schmitt trigger delay compensation requires a measurement of the cold sensor. In case one sensor may be optional, always use the hot sensor for the optional one.

Reference:

$$t_R = t_{RAB} - t_{RO} - \Delta t$$

Sensor

Cold: $t_C = t_{M1A} - t_{RO} - \Delta t$

Hot: $t_H = t_{M2A} - t_{RO} - \Delta t$

The sensor to reference ratios are use in the following for the temperature calculation:

Sensor resistance vs. reference:

Cold: $\frac{R_C}{R_{REF}} = \frac{t_C}{t_R}$

Hot: $\frac{R_H}{R_{REF}} = \frac{t_H}{t_R}$

- (1) The calculation assumes that all double switches are identical, and that the measurements are linear and repeatable. Under these conditions, the sensor network resistances are measured to the accuracy of the reference resistor, with an uncertainty through added noise of $\pm 0.001\%$ of full scale. Additional line resistances in the sensor networks can't be calibrated out by 2-Wire measurements. If the line resistances are known from different measurements, they may simply be subtracted from the result in a separate calibration.
- (2) The calibration measurement for comparator delay uses the cold sensor. If the cold sensor path is unusable, for example due to some damage, also the hot sensor path can't be fully calibrated. So, if only one sensor is used, always use the cold sensor pins, and if one sensor result is needed with high accuracy, even in case the other sensor may be damaged, connect the more important sensor to the cold sensor ports

The calculation of temperatures from resistance values is done as usual through the sensor's characteristic T(R) curve. For convenience, there are ROM routines (15.5.4) implemented to do the calculation by means of a polynomial of second degree or simply by a linear approach. The polynomial resembles the inverted R(T)-polynomial for PT (according to IEC 60751:2008) within 0°C and 100°C.

Equation ROM_TEMP_POLYNOM:

$$\text{Temperature } T[^\circ\text{C}] = 10.115 \times \left(\frac{t_C}{t_R}\right)^2 + 235.57 \times \left(\frac{t_C}{t_R}\right) - 245.683 \quad \text{Format: fd16}$$

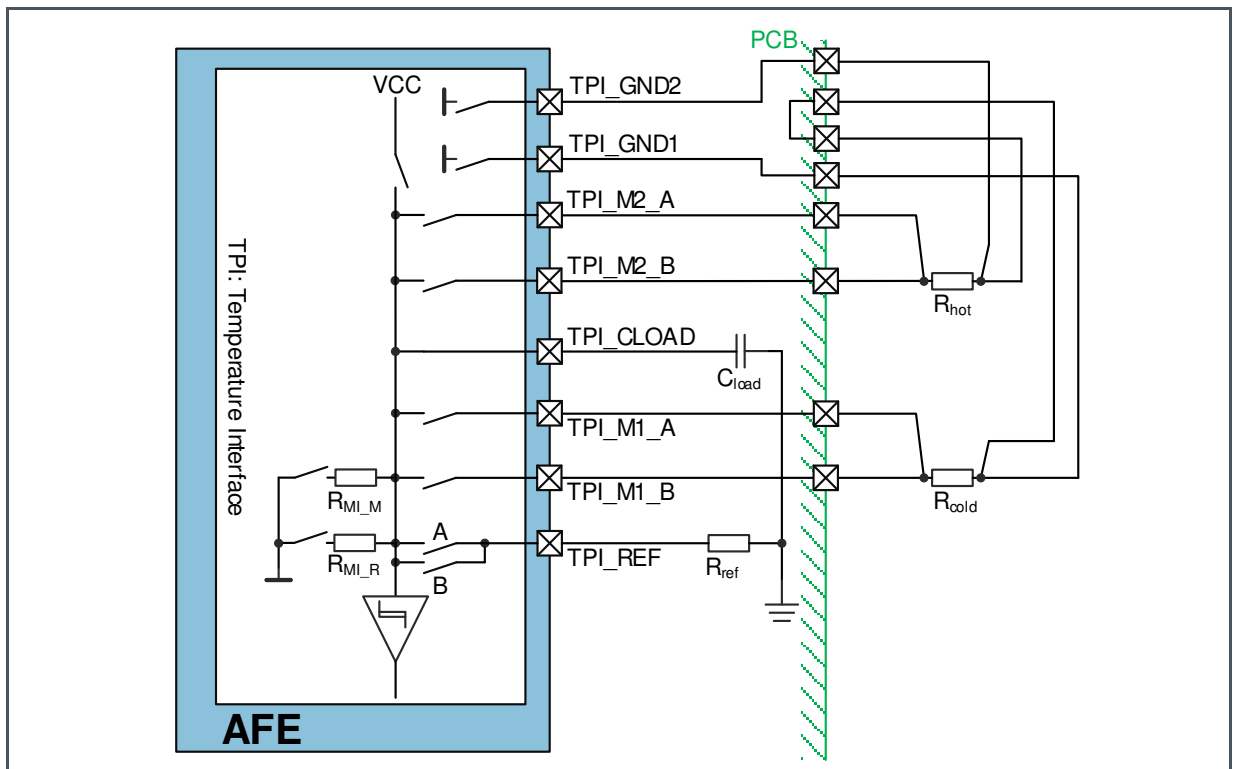
8.6.2 4-Wire Temperature Mode

In 4-wire temperature mode, the temperature interface does a much more complex sequence of resistor measurements in different configurations. The set of measurements allows an accurate determination of the sensor resistance of one or two 4-wire sensors.

In contrast to the 2-wire measurement, every single switch resistance of different pins can be calculated from these measurements. This is important, since every pin may be connected to the sensor over a different line resistance. There is no assumption about similar switches or similar line lengths. This makes this measurement method particularly suitable for high-accuracy measurements using connectors or other network elements that may suffer from aging.

The sensors should be connected to the chip as drawn in then following figure:

Figure 73:
Temperature sensor, 4-wire connection



In case only one 4-wire sensor is used, connect its two ground cables separately to TPI_GND1 and TPI_GND2.

The complex mathematics of the 4-wire measurements is fully covered by the applied firmware. Therefore we do not provide a more detailed description. The applied firmware writes the results of the temperature measurement to RAM cells 0x020 to 0x024:

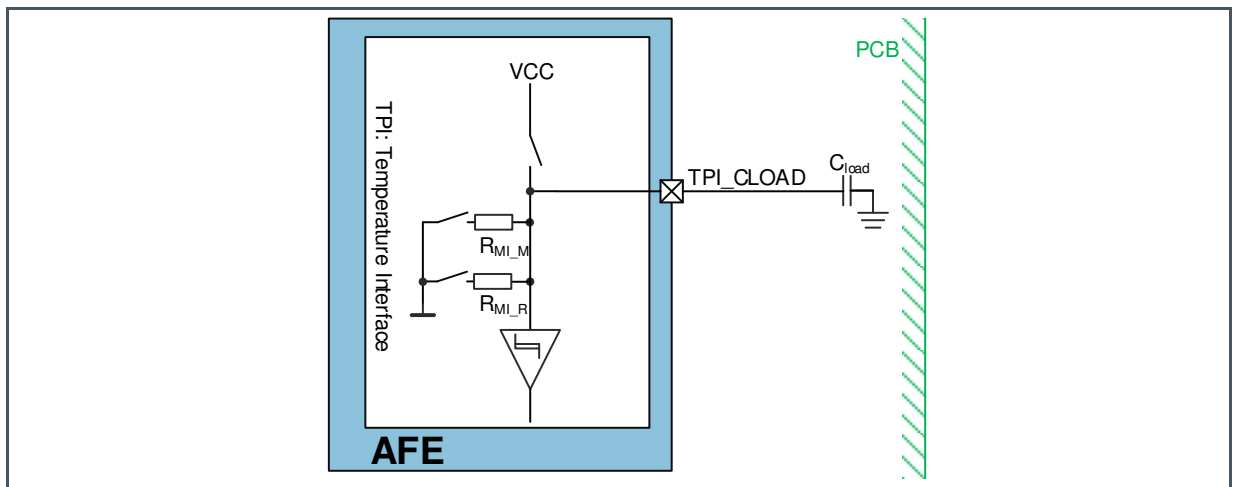
Figure 74:
Applied Firmware Temperature Result Registers

Addr	Name	Description	Format
0x020	RAM_R_PTC_TEMPERATURE	Cold sensor temperature [°C]	fd16
0x021	RAM_R_PTH_TEMPERATURE	Hot sensor temperature [°C]	fd16
0x022	RAM_R_PTC	Cold sensor resistance	fd16
0x023	RAM_R_PTH	Hot sensor resistance	fd16

8.6.3 Internal Temperature Measurement

A simple temperature measurement is possible through a build-in temperature-sensitive resistor and a temperature independent resistor.

Figure 75:
Internal Temperature Sensor



The internal temperature measurement can be used solely or in combination external temperature sensors in 2-wire connection.

A measurement sequence looks like the following:

1. 2 fake measurements. The capacitor is discharged but without any time measurement. This is to stabilize the load capacitor. They are followed by the first measurement **M1**.
2. t_{MI_M} is measured by closing the switch for the internal measurement resistor
3. t_{MI_R} is measured by closing the switch for the internal reference resistor
4. t_{MI_g} for the gain compensation is measured by closing both switches.
5. Repetition of sequence 2. To 5. In reversed order.

The results of the 3 measurements are stored in the frontend data buffer:

Figure 76:
FDB in case of Internal Temperature Measurement

Addr	Name	Unit	Seq.	Description
0x085	FDB_TPM1_MI_R_G12			Internal temperature reference
0x086	FDB_TPM1_MI_RM_G12		1	Internal temperature compensation
0x087	FDB_TPM1_MI_M_G12			Internal temperature measurement
0x093	FDB_TPM2_MI_R_G12			Internal temperature reference
0x094	FDB_TPM2_MI_RM_G12		2	Internal temperature compensation
0x095	FDB_TPM2_MI_M_G12			Internal temperature measurement

The internal temperature measurement utilizes an internal reference resistor with a nominal value of 1.265 kΩ at room temperature and a temperature coefficient of -0.1 Ω/K, and a sensor resistor with the same nominal resistance value, but a different temperature coefficient of 3.7 Ω/K. Due to chip tolerances, this measurement will not be very accurate. Under the assumption that the combined temperature coefficient of the resistance ratios is known as 3.8 Ω /K, a simple calculation can be done when a measurement at known chip temperature is performed:

$$T = \left(\frac{t_{MI_M}}{t_{MI_R}} - \frac{t_{MI_M}(T_0)}{t_{MI_R}(T_0)} \right) * \frac{1.265k\Omega}{3.8\Omega/K} + T_0$$

Due to chip tolerances, at least one calibration measurement at some temperature T_0 is recommended. It is actually sufficient to assume

$$\frac{t_{MI_M}(T_0)}{t_{MI_R}(T_0)} = 1$$

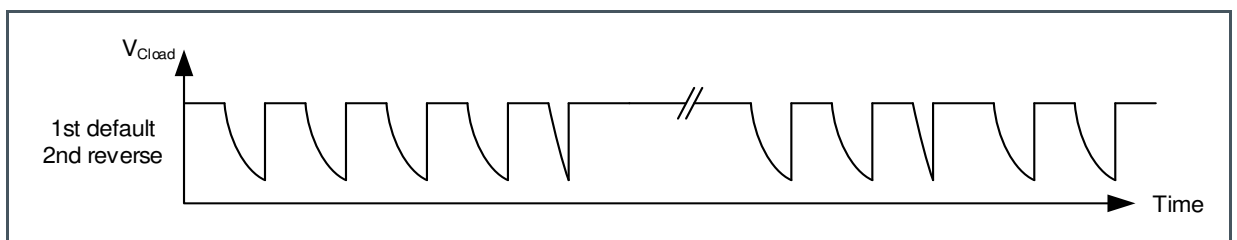
and to adjust the constant T_0 in the upper equation for the correct result.

More elaborate calibrations and calculations are possible. However, the internal temperature sensor is not accurate enough to justify that effort. It would also be possible to find an individual value for the internal sensor's temperature coefficient, but that would require a measurement at different temperatures. Nevertheless, with the simple calibration described above the internal temperature sensor can reach accuracies down to a few centigrade, which is good enough for some applications.

8.6.4 Technical Properties of the Temperature Interface

The temperature interface performs resistance measurements by discharging a capacitor, which was loaded to the supply voltage VCC, over the unknown resistor network, down to some fixed comparison voltage. Each temperature interface pin contains a double switch which connects this pin to Cload (the temperature measurement load capacitor on pin TPI_CLOAD). Through different switch settings, all necessary measurements are done in a well-controlled measurement sequence. The measurement sequences are hard-coded for 2-wire and 4-wire sensor case. Details on the sequences have been discussed above.

Figure 77:
Voltage Cload with Internal Temperature Measurement



In idle state the CLOAD port is connected internally to VCC. Externally the pin may be not connected.

Measurement Range and Selection of Load Capacitor

One discharge cycle takes a time of about

$$\tau = 0.7 \times R \times C_{load}$$

This makes e.g. 70 μ s for a 1 k Ω resistor R and a 100 nF capacitor Cload.

The value of Cload and the range of R has to be chosen such that actual measurement times are between 10 μ s (limited by the internal TDC calibration time) and the discharge cycle time minus the capacitor recharge time. The discharge cycle time t_{det} can be chosen to 512 μ s (recommended) or 1024 μ s, respectively (TM_CYCLE_SEL in CR_TM set to 0 or 1, respectively). The capacitor recharge time can be estimated as

$$\tau_{re} = 10 \times 10\Omega \times C_{load}$$

for highest accuracy permit $3 \times \tau_{re}$. Typically Cload = 100 nF is used, which permits to measure resistances between 142 Ω and about 5 k Ω (maximum measurement time 502 μ s).

Considerations on Measurement Accuracy

The short times of the measurements, corresponding to high signal frequencies, have to be considered when using the temperature interface:

- Long lines can be problematic through their parasitic inductance and capacitance. When using lines in the range of meters or even above, the quality of the measurements must be checked carefully.
- In addition, long lines may introduce problems through coupled noise and EMI. It is possible to reduce such problems by using filtering elements like ferrites or small capacitors, but the possible influence of such filters on the measurement has to be considered.
- It is also recommended to use a capacitor of C0G or other class-1-type. For example, X7R-types can suffer from memory effects and, of course, from high temperature coefficients, which may reduce measurement accuracy dramatically.

It is in any case recommended to control the quality of such resistance measurements in your actual measurement environment.

Measurement accuracy is achieved by a suitable calibration and based on the measurement of a well-known reference resistor. The equation for τ has no guaranteed accuracy and can only be used for resistance estimations. Still, high measurement accuracy is reached by comparisons, making use of the high short-term repeatability and linearity of the single resistance measurements. Thus, a typical measurement sequence includes the measurement of a well-known reference resistor, such that actual resistance values can be calculated from the ratios of measured times τ to τ_{REF} , the time result for the reference resistor measurement. The accuracy of such measurements depends on the following factors:

- Absolute accuracy, temperature dependence and aging of the reference resistor is of course fully traced to the measurement result. For high quality measurements, use a reference resistor with low tolerance and low TC.
- Offset line and switch resistances. Such offset values are unavoidable, their removal requires additional calibration measurements. The following sections describe how such measurements are setup and used in case of 2-wire and 4-wire measurements. Switch resistances also add to the reference resistor measurement, typical values for switch resistances in AS6040 are below 10 Ohms.
- Linearity and repeatability of measurements: Due to a stable comparison voltage, linearity can be considered ideal. The good short-term stability of the temperature interface can even be further improved:
 - All measurements needed are done in a well-controlled measurement sequence. The measurement sequences are hard-coded, but can be configured as described below.
 - Typically 2 fake measurements are done before each measurement sequence. This makes sure that each relevant measurement starts in a similar condition (all measurement taken into account did have at least two similar measurements before).
 - The measurement sequence can be repeated (configurable) after a fixed time of, for example, 1.5 times the base frequency period. Setting the base frequency to the local mains frequency (50 or 60 Hz) results in suppression of power line noise in temperature measurements.
 - The repeated measurement sequence can be configured to be in reverse order. This removes any linear deviation trend that may appear during measurements, for example changing sensor temperature during a measurement cycle.

- Finally, the noise of the TDC measurements, which are utilized for the temperature ports as well, set an absolute limit on measurement accuracy. With a typical single-shot peak noise level of about $\pm 2.5\text{ns}$, the equivalent peak noise in measured resistance ratios can be estimated as $\pm 0.001\%$ of full scale values (assuming 500us maximal measurement time). Note that this is an absolute error, such that the relative error increases for low measurement times or low resistances, respectively.

Measurement Run Time and Current Consumption

The total runtime t_{ti} of a temperature interface measurement sequence depends on the chosen configuration and can be calculated as

$$t_{ti} = t_{HSO} + t_{dct} * (n_{fake} + n_{meas}) + t_{pause}$$

Here, n_{meas} is the number of actual measurements (four with 1 sensor in 2-wire, five with two sensors in 2-wire, always fourteen for 4-wire case and 3 for internal measurements). t_{HSO} is the configured HSO settling time, t_{dct} the discharge cycle time (512 or 1024 μs), $n_{fake} = 2$ or 8 the number of fake measurements and t_{pause} the configured pause time (could even be 0, then the measurement sequence is not repeated).

Example: The total runtime of a 4-wire 2-sensor measurement with 2 fake measurements, at 135 μs HSO settling time and 512 μs discharge cycle time and with 30 ms pause time is 38.33 ms. If a firmware is used to evaluate the results, about 0.5 ms runtime is added. It should be clear that the total measurement time is dominated by the pause time. Note that the pause time starts together with the first measurement sequence, such that the first measurement sequence takes place during pause time.

Of course, the average current consumption depends strongly on the total runtime t_{ti} as well as on the temperature measurement rate or its frequency f_{tm} , respectively. A reasonable estimation of the additional average current consumption for the temperature measurement interface I_{tm} is

$$I_{tm} = 0.6 \mu\text{A} * (n_{fake} + n_{meas}) * f_{tm} * \frac{C_{load}}{100 \text{ nF}}$$

This formula gives an upper limit for repeated measurement sequence and 512 μs discharge cycle time, the value for 1024 μs is about 15% higher. At only one single measurement sequence ($t_{pause} = 0$), the actual current consumption is half of the calculated value.

Example: Average current consumption for external 2-wire 2-sensor measurements with 2 fake measurements and repeated ($t_{pause} \neq 0$), at a cycle time of 125 ms and **TM_RATE** = 240 ($f_{tm} = 1/30$ Hz) is estimated to 0.14 μA for 512 μs discharge cycle time or 0.161 μA for 1024 μs . At

($t_{pause} = 0$), the result is 0.07 μA for 512 μs . Note that the current consumption does not depend on the measured resistance. Note also that a low repetition rate, as in the given example, the current consumption comes in shape of a peak at the temperature measurement frequency. It is recommended to use a 100 μF blocking capacitor on supply voltage for high quality temperature measurements.

8.6.5 Relevant Registers

The table below lists most important registers and parameters for setting this multi-hit mode.

Figure 78:
Multi-hit Mode Relevant Registers

Register	Parameter	Description
CR_TPM (Temperature Measurement)	TM_RATE	Temperature Measurement Rate 0: disabled 1 to 1023:Rate related to sequencer cycle trigger
	TPM_PAUSE	Pause time between 2 temperature measurements for 50Hz/60Hz suppression 00x: no pause, only one measurement 010: Pause = 0.25 * T(BF_SEL) ms 011: Pause = 0.5 * T(BF_SEL) ms 100: Pause = 1.0 * T(BF_SEL) ms 101: Pause = 1.5 * T(BF_SEL) ms 110: Pause = 2.0 * T(BF_SEL) ms 111: Pause = 2.5 * T(BF_SEL) ms
	TPM_MODE	Temperature Measurement Mode 000: Off 001: Internal only 010: Internal & 2-wire/1 port 011: Internal & 2-wire/2 ports 100: 2-wire/1 port 101: 2-wire/2 ports 110: 4-wire/1 port 111: 4-wire/2 ports
	TPM_PORT_MODE	Temperature Measurement Port Mode 0: Inactive ports pulled to GND while measurement (recommended setting)
	TM_PORT_ORDER	Temperature Measurement Port Order 10: 1. measurement: default order / 2. measurement: reversed order (recommended setting)
	TPM_CLOAD_TRIM	Temperature Measurement Load Trim 10: = recommended value
	TPM_CYCLE_SEL	Temperature Measurement Cycle Select 0: 512 μ s (recommended value) 1: 1024 μ s
	TPM_FAKE_NO	Number of Fake measurements 0: 2 fake measurements (recommended value)

8.6.6 Error Messages

The temperature interface generates error messages, which can be read from register SRR_ERR_FLAG. There are three different error flags that may be set by the temperature interface:

- EF_TM_SQC_TMO** (bit 8): Temperature Sequence Timeout. This flag is set when the first temperature measurement sequence did not finish before the end of the configured pause time. Note that this flag must be ignored when no second measurement block is configured, since then there is no pause time and the flag is always set.

- **EF_TM_SC_ERR** (bit 4): Temperature Measurement Short Circuit. This flag is set when the load capacitor is discharged very quickly, such that within the first 1 μ s of the measurement the capacitor voltage drops below $V_{CC} / 2$. This indicates a too low resistance, which typically happens in case of a short circuit of a sensor.
- **EF_TM_OC_ERR** (bit 3): Temperature Measurement Open Circuit. This flag is set when the load capacitor is not discharged to the comparison voltage level during a measurement cycle at all. This indicates a too high resistance, which typically happens in case of an open circuit, for example a loose sensor

9 Special Functions

9.1 Time Stamp (RTC)

AS6040 has a simple timestamp function with a resolution of 1 sec. The current values for hours, minutes and seconds are latched in result registers. The time stamp can be updated automatically every measure cycle trigger. But it is possible to trigger an update as well as to clear the content, both by setting executables in the special handling register SHR_EXC.

Time stamp is cleared only by “Power On Reset” and therefore not influenced by any other system reset or system init.

Relevant Registers

The table below lists most important registers and parameters for setting the clock management.

Figure 79:
Relevant Registers for Time Stamp (RTC)

Register	Parameter	Description
CR_CPM (Clock- & Power-Management)	TSV_UPD_MODE	Time stamp update mode 0: updated by TSV_UPD in SHR_EXC 1: automatically updated with every measure cycle, use this setting
SHR_EXC (Executables)	TSV_UPD	Time stamp value update 0: No action 1: Update time stamp value from time stamp counter
	TSC_CLR	Time stamp counter clear 0: No action 1: Clears time stamp counter
SRR_TS_HOUR (Time Stamp Hours)	TS_HOUR	Timestamp hours, 18-bit values, 1 LSB: 1h
SRR_TS_MIN_SEC (Time Stamp Minutes & Seconds)	TS_MIN	Timestamp minutes, 8-bit values, 1 LSB: 1min, range 1 to 59
	TS_SEC	Timestamp seconds, 8-bit values, 1 LSB: 1sec, range 1 to 59

9.2 Backup

Backup handling in AS6040 can be realized by connecting an external I2C EEPROM to the GPIO Unit of the AS6040. Backup handling can be triggered by the integrated general purpose timer, which defines the cycle time for the backup. It's enabled if the CPU request enable **CPU_REQ_EN_GP** is enabled and triggered by the general purpose timer.

The backup data has to be written by firmware code to the 2-wire interface, where backup data is directly transferred to an external I2C EEPROM.

For details on backup handling or different usage of the EEPROM interface please contact support.

Figure 80:
EEPROM Interface

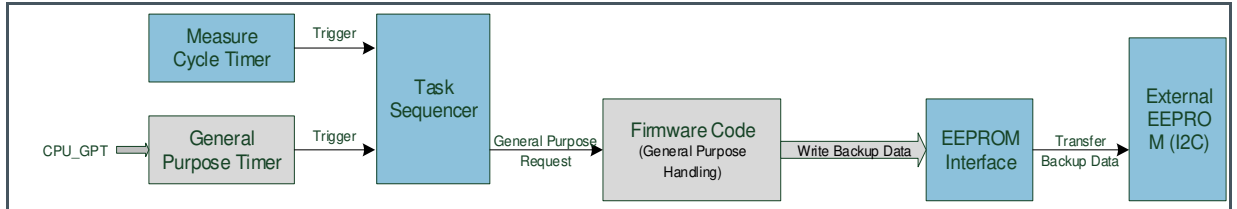


Figure 81:
Relevant Registers for Backup

Register	Parameter	Description
CR_IFC_CTRL Register (Address 0x0C1)	I2C_MODE	2-wire master interface mode, I2C like 00 & 11: I2C disabled 01: I2C enabled on GPIO 0/1 10: I2C enabled on GPIO 2/3
	I2C_ADR	2-wire master interface slave address

9.3 Watchdog

After a system reset the watchdog of AS6040 is enabled. The nominal value of the watchdog time is 15.2 seconds, based on the internal oscillator clock source of 8.7 kHz.

For operation in time conversion mode, it could be useful to disable the watchdog of AS6040. For that a disable code has to be written to register CR_WD_DIS.

When AS6040 operates with firmware, it is good practice to keep the watchdog enabled. The watchdog timer must then be reset before the watchdog time elapsed. Otherwise the watchdog issues a system init (please compare to chapter “Reset Management”). Typically the watchdog timer is reset in each post processing cycle by the firmware command clrwtd. The firmware can then use the watchdog for any safety mechanism where a system init is required to resolve problems, just by not resetting the watchdog timer. And of course the system init will be triggered when the firmware does not run at all. Of course it must be made sure that the chip starts operating as desired after a system reset, for example by a suitable configuration and setting the autoconfig release code in FWD.

Figure 82:
Relevant Registers for Watchdog

Register	Parameter	Description
CR_WD_DIS Register (Address 0x0C0)	WD_DIS	Code to disable Watchdog: 0x48DB_A399, Write only register. Status of watchdog can be checked in WD_DIS in register SRR_MSC_STF

9.4 Supply Voltage Measurement

The voltage measurement is the only measurement task which is performed directly by the supervisor and not by frontend processing. It's automatically executed if VM_RATE > 0. The value of VCC is measured and can be compared to a low battery threshold.

Figure :
Relevant Registers for Voltage Measurement

Register	Parameter	Description
CR_CPM (Clock- & Power-Management)	VM_RATE	Repetition rate, every Nth measure cycle trigger
	LBD_TH	Threshold for low-battery detection 1 LSB: 25 mV LBD_TH = 0: 2.15 V LBD_TH = 63: 3.725 V
SRR_VCC_VAL (VCC Value)	VCC_VAL	Measured value of VCC voltage 1 LSB: 25 mV, default 0x2F VCC_VAL = 0: 2.15 V VCC_VAL = 63: 3.725 V
SRR_ERR_FLAG (Error Flags)	EF_LBD_ERR	Error flag, indicates if low battery is detected

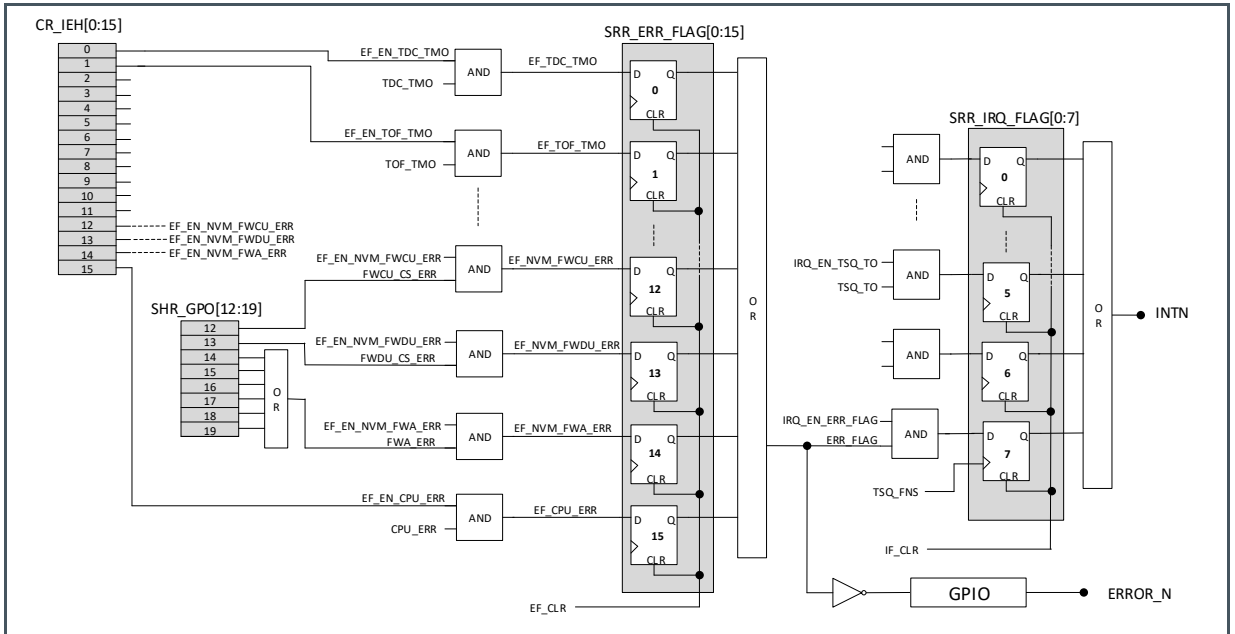
9.5 Error Handling

AS6040 features a number of hardware flags to indicate measurement errors. Some of the possible errors are related to wrong configurations, others to measurement problems. Typical error cases are TOF timeouts, when for example a water flow meter pipe ran dry and no signal was received, or a task sequencer timeout when the configured cycle time did not leave enough time to finish all tasks. Other examples would be short cuts or lost connections on temperature sensors.

It is in general recommended to check error flags, with or without firmware usage, and to implement processes to resolve the indicated problems.

Figure 83 sketches the relations between error flag enabling and signaling as implemented in AS6040 hardware. It is possible to generate an interrupt after an error (set IRQ_EN_ERR_FLAG in CR_IEH), and it is possible to configure which errors should be ignored (bits 15..0 in CR_IEH). As ERR_FLAG is updated when task sequencer cycle is finished (TSQ_FNS), the task sequencer timeout (TSQ_TO) should be additionally enabled too (set IRQ_EN_TSQ_TO in CR_IEH).

Figure 83:
Hardware Error Flags



Relevant Registers

The table below lists most important registers and parameters for error handling.

Figure 84:
Relevant Registers for Error Handling

Register	Parameter	Description
CR_IEH (Interrupt & Errorhandling)	EF_EN_XX_XX_XX	Bits 0 to 15 enable error flags corresponding to register SRR_ERR_FLAG
	IRQ_EN_ERR_FLAG	Interrupt request enable for error flags
	IRQ_EN_TSQ_TO	Interrupt request enable for task sequencer timeout
SHR_GPO (General Purpose Out)	FWCU_CS_ERR	Set by NVRAM check routine in case of checksum error in FWCU
	FWDU_CS_ERR	Set by NVRAM check routine in case of checksum error in FWDU
	FWA_CS_ERR	Set by NVRAM check routine in case of any checksum error in applied FW (FWCA or FWDA)
	FW_ERR	Typically set by customized FW
	IF_CLR	Clears interrupt flag

Register	Parameter	Description
SHR_EXC (Executables)	EF_CLR	Clears error flag
SRR_IRQ_FLAG (Interrupt Flags)	ERR_FLAG	Error flag has been set
SRR_ERR_FLAG (Error Flags)	EF_XX_XX_XX	Bits 0 to 15 indicate Error flags corresponding to error flag enable bits in CR_IEH

9.6 Cyclic NVRAM Recall

It's recommended to perform a cyclic recall of NVRAMs, independent if operating in flow meter or time conversion mode. NVRAM recall means that memory are refreshed by transferring contents from non-volatile to volatile part of NVRAM.

Figure 85:
Relevant Registers for Cyclic NVRAM Recall

Register	Parameter	Description
CR_MRQ_TS (Measure Rate Generator & Task Sequencer)	TS_NVR_RATE	NVRAM RecallTimer Rate 0000: disabled 0001: 1 sec 0010: 2 sec 0011: 5 sec 0100: 10 sec 0101: 30 sec 0110: 1 min 0111: 2 min 1000: 5 min 1001: 10 min 1010: 30 min 1011: 1 h 1100: 2 h 1101: 6 h 1110: 24 h 1111: 48 h

10 Interfaces

The UFC is able to operate in flow meter mode or in time conversion mode.

In flow meter mode a remote port interface is needed to program the UFC. In time conversion mode a remote port interface is needed to configure and for measurement related communication with the UFC. The remote port interface operates as an SPI interface.

Figure 86:
SPI Interface

Pin Name	Description	Comment
SSN	Input	low active ⁽¹⁾
MOSI	Input	⁽¹⁾
SCK	Input	⁽¹⁾
MISO	Output	3-state
INTN	Output	low active

⁽¹⁾ For standalone operation without external controller, the unconnected inputs should be configured with internal pull up by SPI_INPORT_CFG in CR_IFC_CTRL.

10.1 Serial Interface

The SPI interface is able to operate as a slave in a multi-slave SPI bus working in SPI mode 1. Pin MISO_TXD is in high Z state when the chip is not communicating.

SPI mode 1 (CPOL = 0, CPHA = 1) is defined as follows:

- Idle State of SCK is LOW
- Data is sent in both directions with rising edge of SCK.

Data is latched on both sides with falling edge of SCK.

Slave select (SSN) and slave interrupt (INTN) are low active.

It's strongly recommended to keep SSN = HIGH when SPI interface is in IDLE state.

10.1.1 Remote Communication (Opcodes)

Remote communication can be started within a task sequencer cycle, after frontend and post processing finished. AS6040 signalizes this instant to a remote controller by an interrupt via pin INTN.

In general it is preferred to have an interrupt based communication. Even though there is an asynchronous communication port, any communication during a measurement can have a negative impact on the measurement quality.

Generating an interrupt request for remote communication is served in following ways:

- Interrupt is automatically sent with every task sequencer cycle by enabling `IRQ_EN_TSQ_FNS` in `CR_IEH`. This is typically used in time conversion mode to allow the remote controller reading raw measurement values from frontend data buffer after each measurement.
- Interrupt is controlled by firmware. Therefore `IRQ_EN_FW_S` in `CR_IEH` has to be set. Then a synchronous interrupt can be triggered by firmware by setting `FW_IRQ_S` in `SHR_EXC`. The interrupt will appear after post processing finished. Typically used in flow conversion mode where a remote communication need not be requested with every task sequencer cycle.

In case of a running firmware, it is possible to avoid permanent communication and to keep the external controller in sleep mode over long periods. Since the firmware can evaluate and store results, it does not need to communicate after each measurement. It can then be advantageous to let the external controller trigger communication: An external controller can send command `RC_COM_REQ` to AS6040 to request a remote communication at an arbitrary time. This causes that `COM_REQ` will be set in register `SHR_CPU_REQ`. By polling this status flag, the firmware is able to trigger remote communication as described above on request by the external controller.

A remote control always starts communication with the UFC by sending a remote command `RC_xx_xx` as the first byte of a remote request. The following acronyms will be used:

Figure 87:
Acronyms

Acronym	Remote Command	Length
<code>RC_</code>	Remote Command	1 Byte
<code>RAA_ADR</code>	Random Access Area Address	1 Byte
<code>RAA_WDx_Bx</code>	Random Access Area Write Data	≥ 4 Bytes (4 byte wise)
<code>RAA_RDx_Bx</code>	Random Access Area Read Data	≥ 4 Bytes (4 byte wise)
<code>FWC_ADR</code>	FW Code Memory Address	2 Bytes
<code>FWC_WDx_Bx</code>	FW Code Memory Write Data	≥ 1 Byte

10.1.2 Reset & Inits

Figure 88:
Reset & Inits

Remote Command	Code	Description
RC_SYS_RST	0x99	Resets main part of digital core including register part and triggers bootloading process Note: Applicable only during debugging, not for application
RC_SYS_INIT	0x9A	Resets main part of digital core without register part and triggers bootloading process
RC_SV_INIT	0x9C	Resets Supervisor, Frontend Processing and CPU in main part of digital core but without a bootload trigger

10.1.3 Memory Access

Figure 89:
Memory Access

Remote Command	Code	Description
RC_RAA_WR	0x5A 0x5B	Write to RAM or register area Write to FW data area (NVRAM)
RC_RAA_WRS	0x5E 0x5F	Write to RAM or register area with read system status before write Write to FW data area (NVRAM) with read system status before write
RC_RAA_RD	0x7A 0x7B	Read from RAM or register area Read from FW data area (NVRAM)
RC_RAA_RDS	0x7E 0x7F	Read from RAM or register area with read system status before read Read from FW data area (NVRAM) with read system status before read
RC_FWC_WR	0x5C	Write to FW code area (NVRAM)
RC_RD_STATUS	0x8F	Read system status only

The least significant bits of remote commands RC_RAA_WR and RC_RAA_RD correlate to the most significant bit of the RAA address RAA_ADR[8]. RAA_ADR[7:0] are defined in a separate address byte.

In general, it is possible to do blockwise data transfer and this is the preferred operation.

Command Details

Figure 90:
RC_RAA_WR (RAA Write in blocks)

Remote Request		Answer	
Command	RC_RAA_WR		
Address	RAA_ADR		
Write Data	RAA_WD0_B3		
	RAA_WD0_B2		
	RAA_WD0_B1		
	RAA_WD0_B0		
	RAA_WD1_B3		
	...		
	RAA_WDx_B0		

Figure 91:
RC_RAA_WRS (RAA Write in blocks with status first)

Remote Request		Answer	
Command	RC_RAA_WRS		
Address	RAA_ADR		
		Status	SYS_STATUS
Write Data	RAA_WD0_B3		
	RAA_WD0_B2		
	RAA_WD0_B1		
	RAA_WD0_B0		
	RAA_WD1_B3		
	...		
	RAA_WDx_B0		

Figure 92:
RC_RAA_RD (RAA Read in blocks)

Remote Request		Answer	
Command	RC_RAA_RD		
Address	RAA_ADR		
		Read data	RAA_RD0_B3
			RAA_RD0_B2
			RAA_RD0_B1
			RAA_RD0_B0

Remote Request		Answer	
			RAA_RD1_B3
			...
			RAA_RDx_B0

Figure 93:
RC_RAA_RDS (RAA Read in blocks with status first)

Remote Request		Answer	
Command	RC_RAA_RDS		
Address	RAA_ADR		
		Status	SYS_STATUS
		Read data	RAA_RD0_B3
			RAA_RD0_B2
			RAA_RD0_B1
			RAA_RD0_B0
			RAA_RD1_B3
			...
			RAA_RDx_B0

Figure 94:
RC_RAA_STATUS (RAA system status only)

Remote Request		Answer	
Command	RC_RAA_STATUS		
Address	RAA_ADR		
		Status	SYS_STATUS

The system status bit give quick access to important system information with read operations.

Figure 95:
SYS_STATUS

Bit	Bit Name	Reset	Format	Bit Description
0	RAA_BUSY	b0	BIT	Random access area busy: Occupied system bus
1	NOT USED	b0	BIT	
3:2	MT_REQ_CTR	b0	BIT	Measure task request counter Implemented as gray counter: 00 -> 01 -> 11 -> 10 -> 00 ->
4	MCT_STATE	b0	BIT	Status of measure cycle timer
5	COM_FAIL	b0	BIT	Communication Failed

Bit	Bit Name	Reset	Format	Bit Description
6	RST_FLAG	b0	BIT	Reset Flag
7	ERR_FLAG	b0	BIT	At least one error flag is set

Figure 96:
RC_FWC_WR (FWC Write in blocks)

Remote Request		Answer	
Command	RC_FWC_WR	Table lened	
Address	FWC_ADR_B1		
	FWC_ADR_B2		
Write Data	FWC_WD0_B3		
	FWC_WD0_B2		
	FWC_WD0_B1		
	FWC_WD0_B0		
	FWC_WD1_B3		
	...		
	FWC_WDx_B0		

10.1.4 Measure Task Request

Figure 97:
Measure Task Request

Remote Command	Code	Description
RC_MT_REQ	0xDA	Measure Task Request

The Measure Task Request is followed by an extended command EC_MT_REQ, which defines the requested measure task(s):

Figure 98:
EC_MT_REQ

Extended Command	Description
EC_MT_REQ	Measure Task Request EC_MT_REQ [Bit 0]: VCC Voltage Measurement EC_MT_REQ [Bit 1]: not used EC_MT_REQ [Bit 2]: Time Of Flight Measurement EC_MT_REQ [Bit 3]: Amplitude Measurement EC_MT_REQ [Bit 4]: Amplitude Measurement Calibration EC_MT_REQ [Bit 5]: Temperature Measurement EC_MT_REQ [Bit 6]: High Speed Clock Calibration EC_MT_REQ [Bit 7]: Zero Cross Calibration

10.1.5 Debug & System Commands

Figure 99:
Debug & System Commands

Remote Command	Code	Description
RC_TSC_CLR	0x86	Time stamp counter clear
RC_BM_RLS	0x87	Bus master release
RC_BM_REQ	0x88	Bus master request
RC_RF_CLR	0x89	Reset flag clear (RST_FLAG in SYS_STATUS)
RC_MCT_OFF	0x8A	Measure cycle timer off
RC_MCT_ON	0x8B	Measure cycle timer on
RC_GPR_REQ	0x8C	General purpose request
RC_IF_CLR	0x8D	Interrupt flags clear
RC_COM_REQ	0x8E	Communication request
RC_FW_CHKSUM	0xB8	Builds checksum of all FW memories

10.2 General Purpose I/O Unit

The general Purpose IO unit supports up to 6 GPIOs which can be used for different internal signals and/or interfaces.

The assignment of the GPIOs has to be configured by

- GPx_DIR & GPx_SEL (x = 0 to 5) in CR_GP_CTRL
- I2C_MODE in CR_IFC_CTRL

10.2.1 General Purpose Out

Each GPIO can be configured individually as an output signal of digital part as defined below:

Figure 100:
GPIO as Output, GPx_DIR = b00, I2C_MODE = b00 or b11

Pin	GPx_SEL			
	00	01	10	11
GPIO5	GPO[5]	(1)	TI_PGA_VREF	(1)
GPIO4	GPO[4]	TI_VR_EN	TI_PGA_EN	(1)
GPIO3	GPO[3]	PI_DIR	TI_CHP_EN	TI_FIRE_EN
GPIO2	GPO[2]	PI_PULSE	TI_FP_PCH	(1)
GPIO1	GPO[1]	PI_DIR	ERROR_N	USM_DIR
GPIO0	GPO[0]	PI_PULSE	LS_CLK	TI_FIRE

(1) For internal use only

- GPO[5:0]: General purpose outputs writable via SHR_GPO
- PI_DIR: Pulse interface direction (for more details, see section below)
- PI_PULSE: Pulse interface out (for more details, see section below)
- TI_VR_EN: Enable signal of ultrasonic transducer interface
- TI_PGA_VREF: VREF signal for PGA
- TI_PGA_EN: Enable signal for PGA
- TI_CHP_EN: Enable charge pump
- TI_FP_PCH: Pre-Charge state of transducer interface
- ERROR_N: Error signal (low active)
- LS_CLK: Low speed clock
- TI_FIRE_EN: Busy signal of TI_FIRE
- USM_DIR: Direction signal (Down/up) of ultrasonic measurement
- TI_FIRE: Fire signal of ultrasonic measurement

10.2.2 General Purpose In

Figure 101:
GPIO as Input, GPx_DIR = b01/10/11 (in), GPx_SEL != 0, I2C_MODE = b00 or b11

Pin	GPx_SEL			
	00	01	10	11
GPIO5	GPI[5]	(1)	(1)	(1)
GPIO4	GPI[4]	(1)	(1)	(1)
GPIO3	GPI[3]	(1)	(1)	(1)
GPIO2	GPI[2]	(1)	(1)	(1)
GPIO1	GPI[1]	(1)	(1)	(1)

Pin	GPx_SEL			
	00	01	10	11
GPIO0	GPI[0]	(1)	(1)	(1)

(i) For internal use only

- GPI[5:0]: General purpose inputs, readable via SRR_GPI

10.3 Pulse Interface

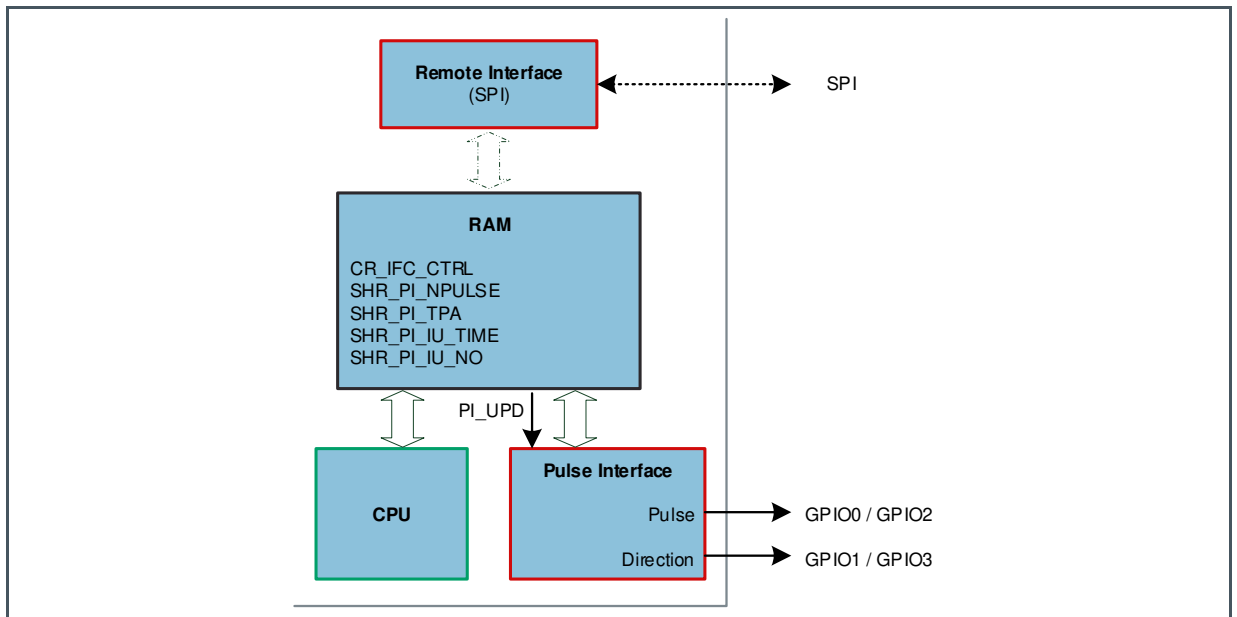
The pulse interface is a separate and independent unit connected to the GPIO block. The CPU can take any of the data, e.g. the original DIFTOF, but also the finally calculated flow information and translate this to a pulse stream. With flow as basis, this will be fully compatible to typical pulse interfaces of mechanical flow meters. Such a system might be a one-to-one replacement for a mechanical flow meter.

The pulse interface generates pulses, where each pulse corresponds to a configurable flow volume (pulse valence, for example one pulse per 100 ml). The parameters of the pulse interface are configured in register CR_IFC_CTRL. The interface then operates at the configured update rate, independent of measurement interface and CPU, by generating pulses according to the actual flow volume. The flow volume must be signaled and updated, typically by a firmware running on the CPU, by updating the register SHR_PI_NPULSE or, more simple, by using the ROM routine ROM_PI_UPD. The ROM routine calculates the necessary input variables for the pulse interface from a given flow volume.

If you plan to configure and update the pulse interface via remote interface by an external μ Controller please contact support for details.

The following figure gives on overview of the relevant units and variables.

Figure 102:
Pulse Interface: Functional Blocks and Variables



10.3.1 Configuration of the Pulse Output

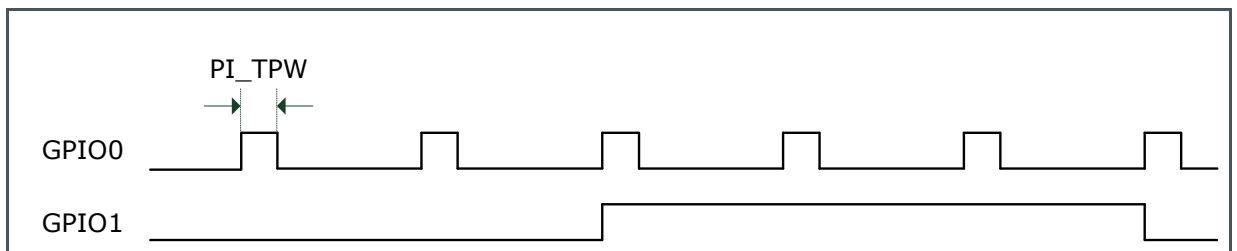
The pulse interface outputs can be provided via GPIO0/GPIO1, optionally via GPIO2/GPIO3 (register CR_GP_CTRL).

The basic configuration of the pulse interface is done in register CR_IFC_CTRL Register (Address 0x0C1), with the most important configuration variables having the following meaning:

PI_OUT_MODE Selects the two possible output formats.

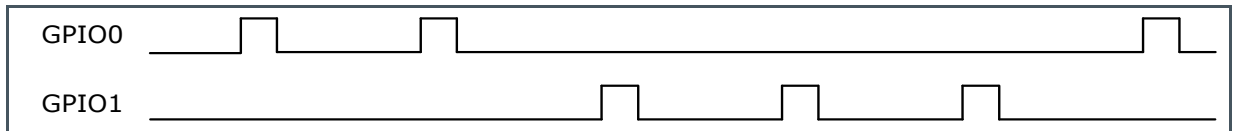
- **PI_OUT_MODE = 0**
 - GPIO0 / GPIO2 = Pulse output, provides the pulses, indicating flow
 - GPIO1 / GPIO3 = Direction output, provides the direction of the measured flow rate, indicating positive/negative flow

Figure 103:
PI_OUT_MODE = 0



- **PI_OUT_MODE = 1**
 - GPIO0 / GPIO2 = Pulse output, positive direction, issued for flow direction forward
 - GPIO1 / GPIO3 = Pulse output, negative direction, issued for flow direction reverse

Figure 104:
PI_OUT_MODE = 1



- **PI_TPW:** Pulse width in multiples of 0.97656 ms (= period of 1024 Hz generated by 32.768 kHz clock), configurable from 1 to 255 (0.97656 ms to 249 ms).
- **PI_OUT_MODE** and **PI_TPW** are initial parameters, which are typically configured once.

The general FW library of UFC provide subroutines for pulse interface initialization, dependent on following application parameters:

- TOF measure cycle time
- Pulse valence (ratio pulses/liter)
- Maximum flow

10.4 2-wire Master Interface

The 2-wire master interface for an external memory extension (e.g. for backup purpose) or an external pressure sensor is a separate, independent unit, connected to the GPIO unit, which can be controlled by firmware of the integrated CPU. It is a master interface, suited for a single two-wire connection to an I²C compatible device. It works in standard mode up to 100 kHz or in fast mode up to 400 kHz (but no Schmitt-trigger inputs). It supports spike suppression on the SDA input. Clock stretching is not supported.

SCL: Serial clock line
SDA: Serial data line (bidirectional)

The assignment of the signal lines to GPIOs can be configured by **I2C_MODE** in **CR_IFC_CTRL** as follows:

Figure 105:
I2C Modes

I2C_MODE	00	01	10	11
GPIO0	(1)	SCL	(1)	(2)
GPIO1	(1)	SDA	(1)	(2)
GPIO2	(1)	(1)	SCL	(2)
GPIO3	(1)	(1)	SDA	(2)

(1) As configured by GPx_DIR & GPx_SEL (table at beginning of this chapter)

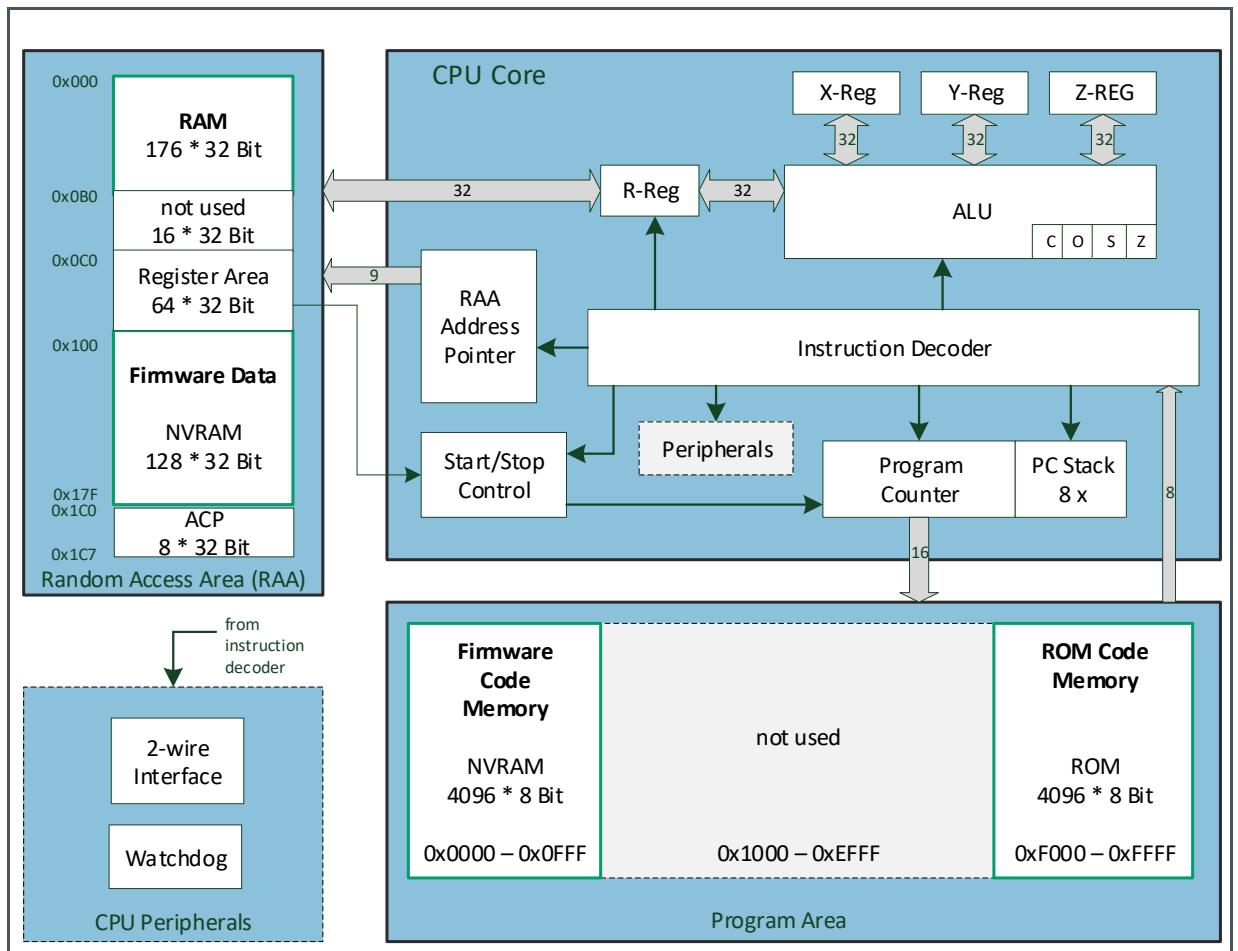
(2) Not allowed

The general FW library of UFC provide subroutines for 2-wire interface communication.

11 CPU

The CPU is structured and implemented as shown in the following figure. It has access to the full RAM, including the result registers and the status registers.

Figure 106:
CPU Environment



11.1 Registers and Accumulators

The 32 bit-CPU operates on three internal registers, the X, Y, and Z-accumulators, and on one register or RAM cell, addressed by the CPU's RAM address pointer. The latter register is denoted with R, it can be any accessible cell within the RAA address range. R is handled in the same way as an accumulator by most commands. One specialty of R is the byte coding and decoding by the bytesel and bytedir command, which only acts on R in read direction (details see below). This function is built in for simplified and accelerated byte operations.

11.2 CPU Flags

The CPU uses four flags to classify the results of operations: Carry (C), equal Zero (Z), Sign (S) and Overflow (O). Zero and Sign flags are set with each CPU write access to any register, RAM or accumulator. Additionally, the Carry and Overflow flags are set in case of a calculation, shift or rotation. Flags which are not actively changed by an operation remain in their former state. It is possible to query each flag in a jump or skip instruction.

11.2.1 Carry (C)

Shows the carry over in an addition or subtraction. Note that the carry flag is calculated assuming unsigned binary numbers, in contrast to the overflow flag. Thus it may produce confusing results, refer to the detail description of instructions for usage. With shift operations (shiftL, shiftR, rotL, shiftR.), the carry flag is set to the (last) bit that has been shifted out.

11.2.2 Overflow (O)

Indicates an overflow during an addition or subtraction of two numbers in two's complement representation. This is strictly an overflow for positive numbers, underflow in case of negative numbers is not indicated. If the eventuality of a negative underflow can't be avoided, additional calculations to indicate the underflow are required.

11.2.3 Zero (Z)

The zero flag indicates if the last number written into a register (by add, sub, move, swap, etc.) was zero or not equal to zero.

11.2.4 Sign (S)

The sign flag indicates if the last number written into a register (by add, sub, move, swap, etc.) has the highest bit (MSB) set to 1 or to 0. It thus indicates the sign of this number, with zero indicated positive. The sign flag assumes a two's complement number representation.

11.3 Arithmetic Operations

An arithmetic command processes two of the registers X, Y, Z or R, and writes back the result into the first mentioned register (or, for commands with 64 bit results, into both). These operations also affect flags of the CPU. In particular, the carry (C) and overflow (O) flags should be checked to ensure correctness of the last operation.

All arithmetic operations process a 32 bit wide input, (mostly) based on the common two's complement operations. This means that the MSB (the most significant bit of the binary word, here bit

31) defines the sign of the binary number, with negative signs having MSB=1. Number values of positive numbers are as usual, while the value of a negative number A follows the rule $|A| = \text{NOT}(A) + 1$, in words: negative numbers are converted into positives by bitwise inversion, and then adding 1 (see the instructions “compl” and “invert”)

11.3.1 Branch Instructions

There are 3 principles of jumping within the code:

- **Goto:** Jumps with relative or absolute addressing. Within an address vicinity of -128 to $+127$, the assembler automatically uses relative addressing (“Branch”). For wide distances, absolute addressing within the whole address space of 64 kB is automatically used (“Jump”). The latter is more flexible, but needs one code byte more.
- **Jsub:** Absolute or relative jump, used to call a subroutine. The difference to goto is that the code returns to the calling address at jsubret (for example at the end of the subroutine). It is possible to handle 7 nested jsub. An overflow of the stack counter is indicated in CPU_ERR. When no return to the calling address is desired, it is better (and of course possible) to use goto instead of jsub.
- **Skip:** Suppress the execution of the next 1, 2 or 3 instructions. Note that the skipped instructions are in fact processed, but they produce no result or further activity. Thus skip does not save processing time of the skipped instructions, in contrast to goto or jsub. However, the skip command itself is only one byte short, and in addition it is highly suitable for structured programming.

Goto and skip come in different flavors, as unconditional command as well as controlled by some bit or CPU flag. Refer to the detail instruction list below for details.

11.4 Instruction Set

The complete instruction set of the AS6040 consists of 70 core instructions that have unique op-codes decoded by the CPU. The following table gives an overview of all available expressions, details are given further below.

Figure 107:
Instruction Set Overview

Logic	Simple arithmetic	Complex arithmetic	Flags	Register-wise	Jsub
and	abs	div	clrC	clear	jsub
eor	add	divmod	getflag	move	jsubret
eorn	compare	mult	setC	swap	
invert	compl				
nand	decr				
nor	incr				

Logic	Simple arithmetic	Complex arithmetic	Flags	Register-wise	Jsub
or	sign				

Logic	Simple arithmetic	Complex arithmetic	Flags	Register-wise	Jsub
	sub				
RAM access	Jump	Skip	Miscellaneous	Shift & Rotate	Bitwise
bytedir	goto	skip	clkmode	rotl	bitclr
bytesel	gotoBitC	skipBitC	clrwdt	rotR	bitinv
decramadr	gotoBitS	skipBitS	equal	shiftL	bitset
getramadr	gotoCarC	skipCarC	equal1	shiftR	
incramadr	gotoCarS	skipCarS	i2crw		
ramadr	gotoEQ	skipEQ	mcten		
	gotoNE	skipNE	nop		
	gotoNeg	skipNeg	stop		
	gotoOvrC	skipOvrC			
	gotoOvrS	skipOvrS			
	gotoPos	skipPos			

For a detailed description of the individual instructions see appendix 15.4 CPU Commands.

11.5 Libraries and Pre-defined Routines

AS6040 comes with a number of predefined routines in its ROM. Some of them are ready-to-use and freely available. The ROM routines are organized in a library, defined by a so called header file which relates routine and variable names to their call addresses and memory addresses, respectively:

- common.h General purpose routines

File “common.h” that comes with the assembler must be included in codes that use any of these routines (use the “include” statement in the main *.asm file). The routines are called using their ROM routine name after jsub or any goto statement. The ROM routine name is a synonym of the call address, as defined in the header file. The call address may be used alternatively.

Some routines come in different alternative versions or with alternative start addresses. To some extent, this allows the user to select different RAM cells for data storage. A typical example would be a routine which needs some cells of usual RAM, and an alternative version where cells in the firmware data (FWD) range are used instead – this second one frees up RAM space and could make use of automated non-volatile storage, at the cost of firmware data space. Another reason for alternative start addresses is to skip a part of the routine if some part of the preparation work is not needed or undesired (for example when some numbers calculated at the start of the routine are already known).

The differences between the versions are explained for each routine in detail in the subsequent sections.

Number format: As usual in fixed decimal-point arithmetic, care has to be taken to set values in the right format. Unless differently noted, all numbers are in two's complement (MSB determines sign). The binary representation B_{bin} of a fractional number is defined with a fixed number N of fractional binary digits, such that the corresponding decimal number B_{dec} is calculated as: $B_{dec} = \text{Bin_into_decimal}(B_{bin})/2^N$. Throughout this document, such a format will be labeled "fd N" – N fractional digits. A typical value format is fd 16, covering a fractional number range from about - 32768.0 to 32768.0 (when using 32 bit RAM cells).

The second factor to be considered in calculations is the unit, which in many cases comes with a fixed factor, for example whenever values are related to a particular physical value. A typical example is measured TOF time, which is always given as fd 16 in HSC periods (250 ns for 4 MHz operation). This means, the measured Time-of-flight value in time units TOF relates to the measured number TOF_bin as: $\text{TOF} = (\text{Bin_into_decimal}(\text{TOF_bin})/2^{16}) * 250 \text{ ns}$. Another example is the first hit level FHL, which is given as an integer binary number FHL_bin with an LSB of about 0.88mV: $\text{FHL} = \text{Bin_into_decimal}(\text{FHL_bin}) * 0.88 \text{ mV}$.

Due to the internal calculation processes, the range of values which generate correct results in some calculation is limited and depends on the format definition. For example, a multiplication of two 32 bit numbers always generates a correct 2*32 bit result (in two words, Y and X register). But if this result is formatted into one single word in fd 16 format (for example using ROM_FORMAT_64_to_32BIT) for further calculations, the result can only be right when the leading 16 bit of the original result where 0 (and of course, some accuracy is lost by cutting the lowest 16 bit, too). Such effects have to be considered in any routine that deals with actual calculations. Wherever applicable, number formats and additional range limitations are given in the subsequent routine descriptions.

11.5.1 common.h

The general purpose routines defined in common.h are listed in the following. Note that not all of them can be used in the same code, depending on memory allocation. Some routines are included in alternative versions, to enable optimized memory usage. In the following sections, the ROM routines defined in common.h are grouped according to their usage. The table gives an overview:

Figure 108:
ROM-routines for common usage

Name	Description	Remarks
Filtering		
ROM_INIT_FILTER ROM_INIT_FILTER1	Routine to initialize the RAM cells for any filter (rolling average) with a given value	
ROM_ROLL_AVG	Routine to filter the FILTER_IN values using a rolling average filter	Filter length can be configured
ROM_ROLLAVG_2OUTLIER	Routine to filter the FILTER_IN values using a rolling average filter. One value which deviates most is always ignored.	Filter length can be configured

Name	Description	Remarks
ROM_FILTER_FLOW	Routine to filter flow values using the standard rolling average filter, including initialization.	Filter length can be configured
Error detection and handling		
ROM_EH	This routine checks all error flags and suppresses processing of wrong results.	many RAM cells fixed
ROM_PP_AM_MON ROM_PP1_AM_MON	Monitor the amplitude values and check limits to identify bad measurements	alternative calls exist
ROM_PP_AM_CALIB ROM_PP1_AM_CALIB	This routine gets the Amplitude Calibration values (H & L) and evaluates the gradient and offset that can be used for calculating the actual amplitude.	alternative calls exist
Pulse interface and flow volume		
ROM_CFG_PULSE_IF	This routine configures the pulse interface with the parameters calculated from the given configuration.	
ROM_PI_UPD	Pulse Interface Update Routine	
ROM_PP_PI_UPD	Pulse Interface Update Routine with input from RAM	
ROM_SAVE_FLOW_VOLUME ROM_SAVE01_FLOW_VOLUME ROM_SAVE1_FLOW_VOLUME ROM_SAVE11_FLOW_VOLUME ROM_SAVE2_FLOW_VOLUME ROM_SAVE21_FLOW_VOLUME	This routine is used to store the converted flow (in LPH), cumulatively to flow volume in cubic meter.	alternative versions exist
Sensor temperature measurement		
ROM_TEMP_POLYNOM	Calculates the temperature of a PT sensor using a polynomial approximation	
ROM_TEMP_LINEAR_FN	This routine is used to calculate the temperature of any sensor as a linear function of sensor resistance using the nominal resistance and sensor slope.	
ROM_TM_SUM_RESULT	Sums up the results of double temperature measurements. The double measurements are performed to eliminate the 50/60 Hz disturbance.	
Interface communication		
ROM_I2C_ST	I2C Start Byte Transfer	Low-level routines, covered by the ones following
ROM_I2C_BT	I2C Byte Transfer	
ROM_I2C_LT	I2C Last Byte Transfer	
ROM_I2C_DWORD_WR	Write 4 bytes of data to a specified address through the I2C interface	
ROM_I2C_BYTE_WR	Write a single byte of data to a specified address through the I2C interface	
ROM_I2C_DWORD_RD	Sequentially read 4 data bytes from the I2C interface	
ROM_I2C_BYTE_RD	Sequentially read a single data byte from the I2C interface	
Housekeeping		
ROM_CPU_CHK	Check kind of CPU request: This routine is called by hardware design after any Post Processing (PP) request, it is the starting point of any CPU activity, including the firmware call at MK_CPU_REQ .	automatically started
ROM_USER_RAM_INIT	Initialize the entire user RAM with 0	
High speed oscillator		
ROM_HSC_CALIB	This routine evaluates the high speed clock scaling factor for the 4MHz / 8 MHz clock	

Name	Description	Remarks
ROM_SCALE_WITH_HSC	Routine to scale the input parameter with the HS Clock Calibration factor	
Configuration		
ROM_RECFG_TOF_RATE	Routine to reconfigure TOF_RATE generator to a lower rate, depending on the parameter N	
Mathematics		
ROM_FORMAT1_64_TO_32BIT	Routine to format a 64-bit value (in Y and X) into a 32 bit result with 16 integer + 16 fractional bits. Useful for formatting 64 bit multiplication results with 32 integer + 32 fractional bits	alternative version: faster, but needs temporary RAM
ROM_DIV_BY_SHIFT	Perform the division of a value Y by X, where $X=2^N$ is an integer power of two	
ROM_SQRT	Evaluate the square root accurately for values in the range ($196 \leq X \leq 5476$)	
ROM_LINEAR_CORRECTION ROM_LINEAR1_CORRECTION	Linear interpolation of a coefficient between two sampling points	alternative version is fixed to interpolation over THETA
ROM_FIND_SLOPE	Used to find the slope between two points, given the coefficient values and parameter values at the two points.	

For a detailed description of the ROM routines refer to the appendix.

11.6 CPU Handling

The CPU starts with handling a request as soon as one of the bits in the system handling register **SHR_CPU_REQ** is set,. All bits are typically triggered by the task sequencer, the error handling, a general-purpose pin or the remote control.

Post processing is enabled in register **CR_MRG_TS**, bits **TS_PP_F_EN** and **TS_PP_T_EN**. Error handling and general purpose handling is enabled in register **CR_IEH**, bit **CPU_REQ_EN_GPH**.

- CPU_REQ_BLD_EXC: Bootloader, triggered by task sequencer
- CPU_REQ_CHKSUM: Checksum Generation, triggered by task sequencer
- CPU_REQ_PP_F: Post Processing F, triggered by task sequencer
- CPU_REQ_PP_T: Post Processing T, triggered by task sequencer
- CPU_REQ_GPH: General Purpose Handling, triggered by task sequencer
- CPU_REQ_FW_INIT: Firmware Initialization, triggered by bootloader, cleared when CPU stops

In general, sending any of these requests by task sequencer the corresponding bit in **SHR_CPU_REQ** lets the chip start the CPU at the appropriate position within the task sequencer cycle. CPU operation then always starts within the ROM code by checking the request.

Bootloader and checksum generation requests are handled directly in ROM routines.

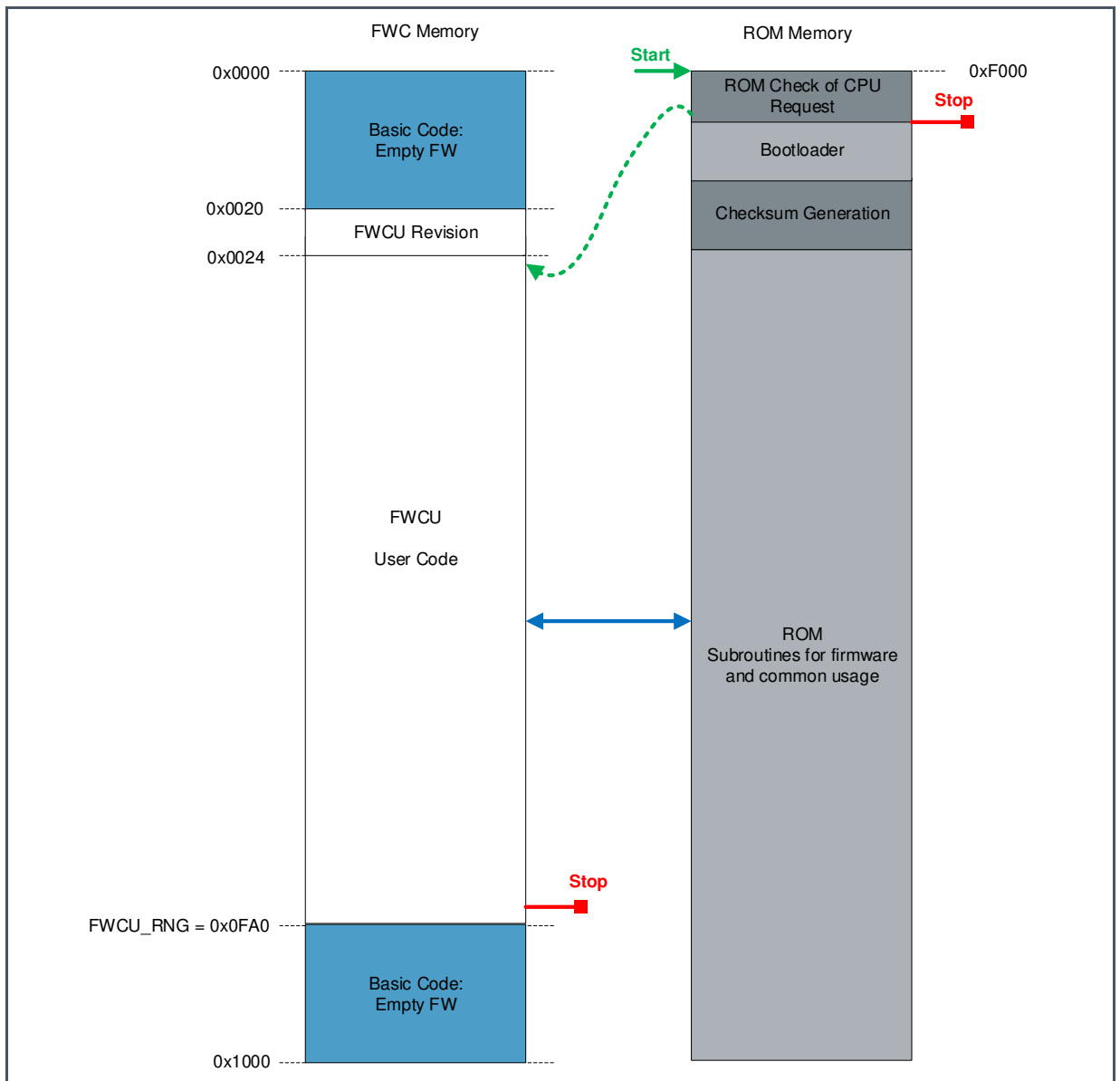
For Firmware initialization, post processing and General purpose handling the program counter is directed to firmware code memory, starting at address

- 0x0024: With applied Empty FW
- FWCU_RNG: With applied firmware

After the request is processed, the firmware must clear it in **SHR_CPU_REQ** (or simply clear the whole register after all is done), else the request remains.

The following figures show the basic structure of code. Program code in white color has to be defined and programmed by customer, whereby public subroutines in the ROM code can also be used by customer.

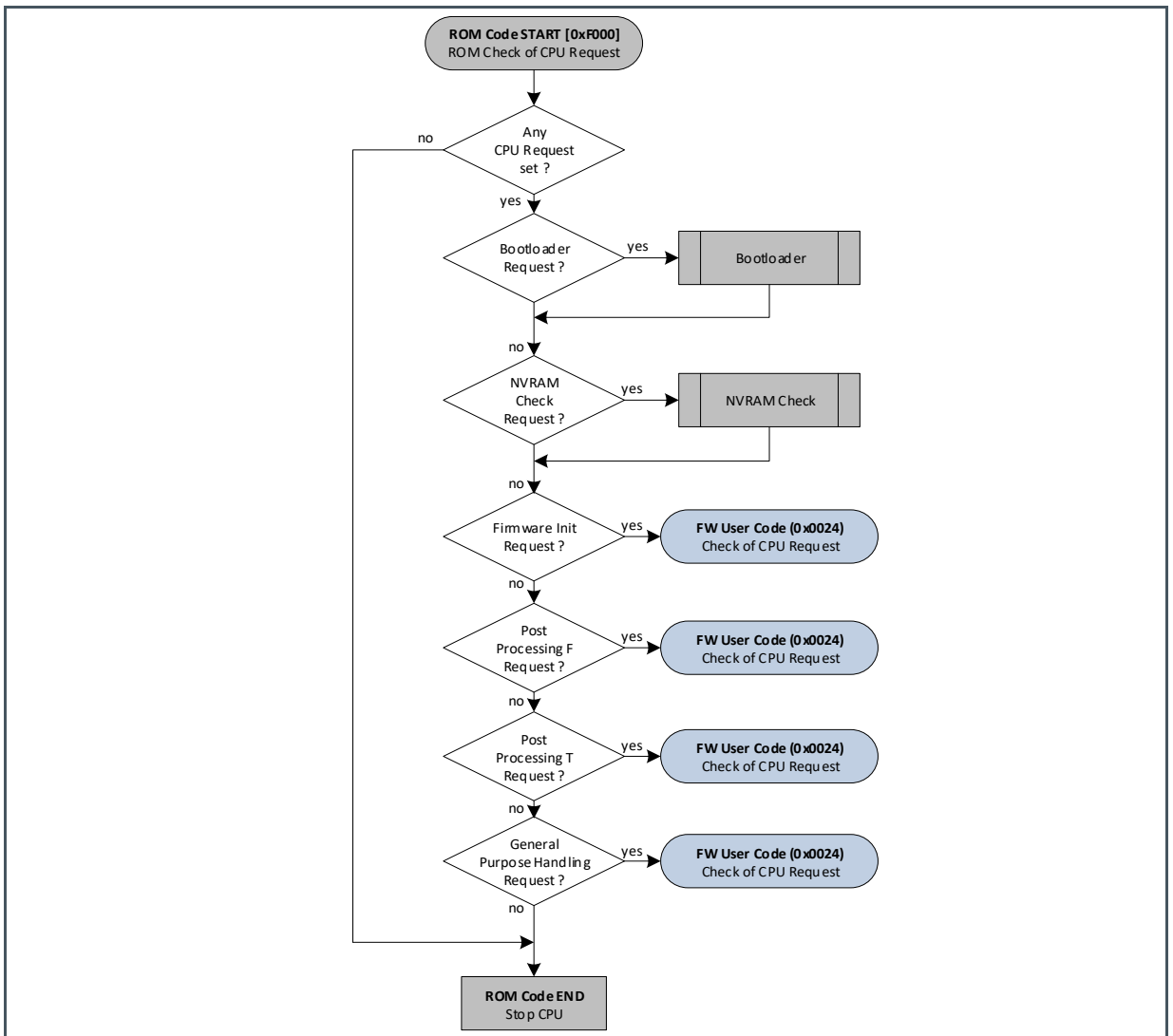
Figure 109:
Code Structure, Empty Firmware



11.6.1 Check of CPU Request

In case that any of the request bits is set in **SHR_CPU_REQ** the CPU starts at first with code in the ROM that checks the type of request.

Figure 110:
CPU Request Handling



(1) With empty firmware

In case of a post processing request, a general purpose request or a firmware initialization request the CPU is directed into firmware user code, starting from address 0x0024. This means that the user has to implement in his firmware also a CPU request check.

- Firmware initialization (FW code): Besides the configuration done by the bootloader some additional configurations can be performed, which typically are some initializations of the SHR register.
- Post Processing F (FW code): This will be the most common request, namely for data post processing of flow in case that flow and temperature measurement is enabled.
- Post Processing T (FW code): This will be the most common request, namely for data post processing like flow (if temperature measurement is not enabled) or temperature calculation.
- General purpose request handling (FW code)
General Purpose Request can be triggered either triggered by GP Timer, by SHR_EXC or by CPU_REQ_GPH. For any of these actions CPU_REQ_EN_GPH has set before.

In addition CPU Request Handling processes two further requests which are performed in ROM code and are described in following sections:

- Bootloader (ROM code)
- NVRAM check (ROM code)

11.6.2 Bootloader

The bootloader is always requested after any system reset or a system INIT occurred. However, complete bootloader actions are only performed if the autoconfiguration release code is set.

The Register Configuration is performed if Autoconfig Release Code (RAA address 0x16B) is set.

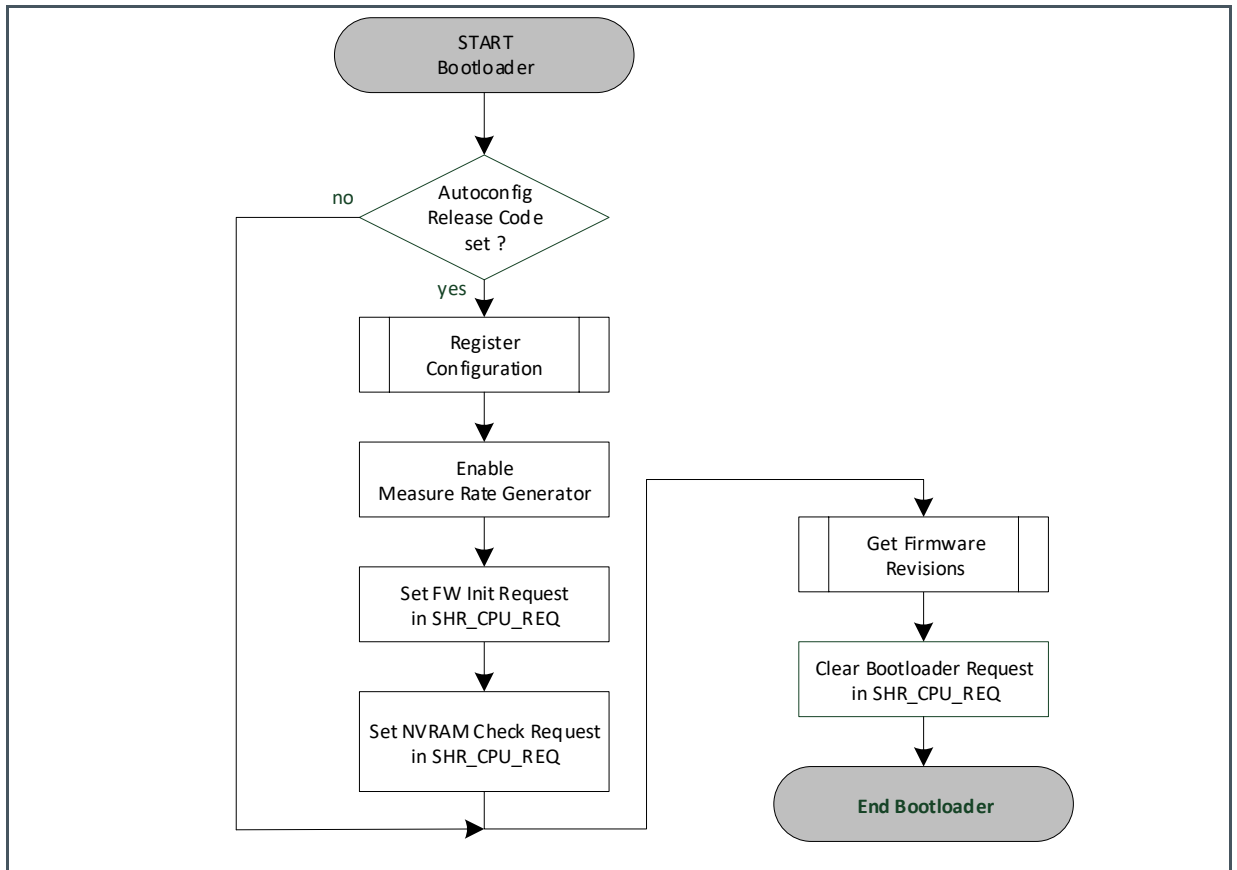
It copies the user configuration data and the SciSense configuration data (RAA addresses 0x16C-017B) into CR register area (0x0C0-0x0CF). Also the ZCD_FHL_INIT is copied to SHR_FHL_U and SHR_FHL_D.

Bootloader actions are:

- “Get Firmware Revisions” which set FW revisions in register **SRR_FWU_REV** & **SRR_FWA_REV**
- Check whether the release code for autoconfiguration is set (0x16B). If yes then
 - Transfer of configuration data to register area
 - Enabling Measure Rate Generator
 - Setting “FW Init” request in **SHR_CPU_REQ** which is performed after bootloader sequence has been finished
 - Setting NVRAM check request in **SHR_CPU_REQ**
- Finally, the bootloader clears the bootloader request in **SHR_CPU_REQ** and jumps back to ROM code for checking CPU requests.

The bootloader does not set USM_RLS_DLY. This needs to be set manually or per initialization in the firmware.

Figure 111:
Bootloader actions



11.6.3 NVRAM Checksum

NVRAM checksum can be requested by remote command RC_FW_CHKSUM, by the checksum timer or, if autoconfiguration release code is set, it's automatically performed after bootloader.

Then the checksums of all FW areas are generated and compared to checksums which can be stored to FW Data memory.

Then different FW areas are checked:

- FWCU: compared to checksum stored on address 0x100
- FWDU: compared to checksum stored on address 0x101
- Applied FW: Different areas compared to applied checksums internally

Finally, the checksum generation clears its request in **SHR_CPU_REQ** and jumps back to ROM code for checking CPU requests. The checksum for FWCU is generated by adding read data bitwise. The

checksums for FWDU is generated by reading DWORDs (32 bit) and adding read data bitwise to checksum.

Figure 112:
Relevant Registers for NVRAM Check

Register	Parameter	Description
CR_IEH (Interrupt & Errorhandling)	EF_EN_XX_XX_XX	Bits 12 to 14 enable error flags corresponding to register SRR_ERR_FLAG 12: FWCU check failed 13: FWDU check failed 13: Applied FW check failed
	FW_XX_CS_ERR	For more details on applied FW 12: FWCU checksum error 13: FWDU checksum error 14 to 18 Any of applied FW checksum errors
CR_MRG_TS (Measure Rate Generator & Task Sequencer)	TS_CST_RATE	Firmware Check(sum) Timer Rate 000: disabled 001: 1h 010: 2h 011: 6h 100: 24h 101: 48h 110: 96h 111: 168h

Under worst case conditions, the checksum generation can consume up to 8.6 ms.

This should be considered when invoking this task timer based during measure cycle: The FW check(sum) task has to be intergrated with all other measure tasks within 1 measure cycle.

11.6.4 CPU Error

As part of the error handling the CPU Error Flag indicates following error cases of CPU:

- Invalid program counter
- Stack overflow of program counter

Figure :
Relevant Registers for CPU Error

Register	Parameter	Description
CR_I EH (Interrupt & Errorhandling)	EF_EN_CPU_ERR	Bits 15 enables error flags corresponding to register SRR_ERR_FLAG 15: CPU Error

11.7 Assembler

The AS6040 assembler is a multi-pass assembler that translates assembly language files into HEX files as they will be downloaded into the device. For convenience, the assembler can include header files. The user can write his own header files but also integrate the library files as they are provided by ScioSense. The assembly program is made of many statements which contain instructions and directives. The instructions have been explained in the former section 3 of this datasheet. In the following sections we describe the directives and some sample code.

Each line of the assembly program can contain only one directive or instruction statement. Statements must be contained in exactly one line.

Symbols

A symbol is a name that represents a value. Symbols are composed of up to 31 characters from the following list:

A - Z, a - z, 0 - 9, _

Symbols are not allowed to start with numbers. The assembler is case sensitive, so care has to be taken for this.

Numbers

Numbers can be specified in hexadecimal or decimal. Decimals have no additional specifier. Hexadecimals are specified by leading "0x".

Expressions and Operators

An expression is a combination of symbols, numbers and operators. Expressions are evaluated at assembly time and can be used to calculate values that otherwise would be difficult to be determined.

The following operators are available with the given precedence:

Figure 113:
Assembler Operators

Level	Operator	Description
1	()	Brackets, specify order of execution

Level	Operator	Description
2	* /	Multiplication, Division
3	+ -	Addition, Subtraction

Example:

```
const      value 1
equal     ((value + 2)/3)
```

Directives

The assembler directives define the way the assembly language instructions are processed. They also provide the possibility to define constants, to reserve memory space and to control the placement of the code. Directives do not produce executable code.

The following table provides an overview of the assembler directives.

Figure 114:
Useful Caption

Directive	Description	Example
CONST	Constant definition, CONST [name] [value] value might be a number, a constant, a sum of both	CONST REV_ADDRESS 3964 CONST FW_VER + 2
LABEL:	Label for target address of jump instructions. Labels end with a colon. All rules that apply to symbol names also apply to labels.	jsub BLD_CFG; BLD_CFG: move y,16;
;	Comment, lines of text that might be implemented to explain the code. It begins with a semicolon character. The semicolon and all subsequent characters in this line will be ignored by the assembler. A comment can appear on a line itself or follow an instruction.	; Call Address: XXX
org	Sets a new origin in program memory for subsequent statements.	org 0
equal	Insert three bytes of user defined data in program memory, starting at the address as defined by org.	equal 0xcfcf01
#include	Include the header or library file named in the quotation marks ". The code will be added at the line of the include command. In quotation marks there might be just the file name in case it is in the same folder as the program, but also the complete path.	#include "common.h"

11.7.1 Basic Structure

The following flow chart shows the basic structure of a AS6040 firmware.

Figure 115:
Basic Program Flow Chart



12 Memory and Register Description

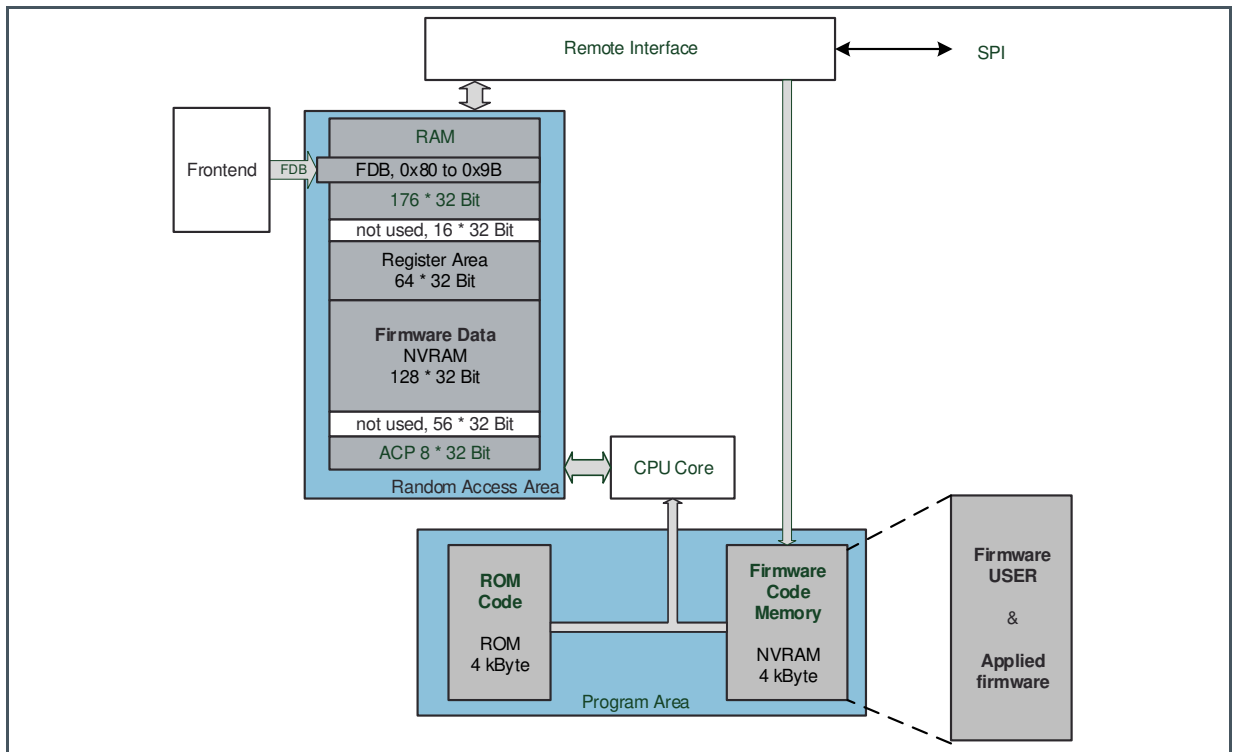
The AS6040 has two operation modes with different usage of the memory.

- Time conversion mode: In this mode, the CPU is not active. The device runs as a pure front-end providing the raw time measurement results for flow, temperature and amplitude. The only relevant section of the memory is the random access area (RAA) with the configuration registers, system handling registers, result register and status registers.
- Flow meter mode: In this mode, The CPU is active and does post-processing on the raw data, in a final stage typically calculating temperature, flow and volume, accompanied by error handling. The program code is stored in NVRAM, in addition to ROM for ready supporting functions. In any case there is a small mandatory applied firmware section. There is a separate section in the NVRAM to store firmware-specific data as well as configuration data. The CPU uses the full 176 × 32 bit RAM to read measurement results, to do its calculations and to write the final results. ROM and firmware code memory share a different address bus system and are not readable from outside the chip.

The firmware code memory and the firmware data memory are zero static power NVRAMs. Since they don't draw current when not in use, they are not switched down and remain permanently usable. However, the address and data bus of the RAA can only be allocated to one system at a time, so access to RAA memory cells from outside is usually not possible when the frontend or the CPU operate on it.

The following diagram shows the memory organization and the interaction of the frontend, the CPU and the remote interface.

Figure 116:
Memory Organization



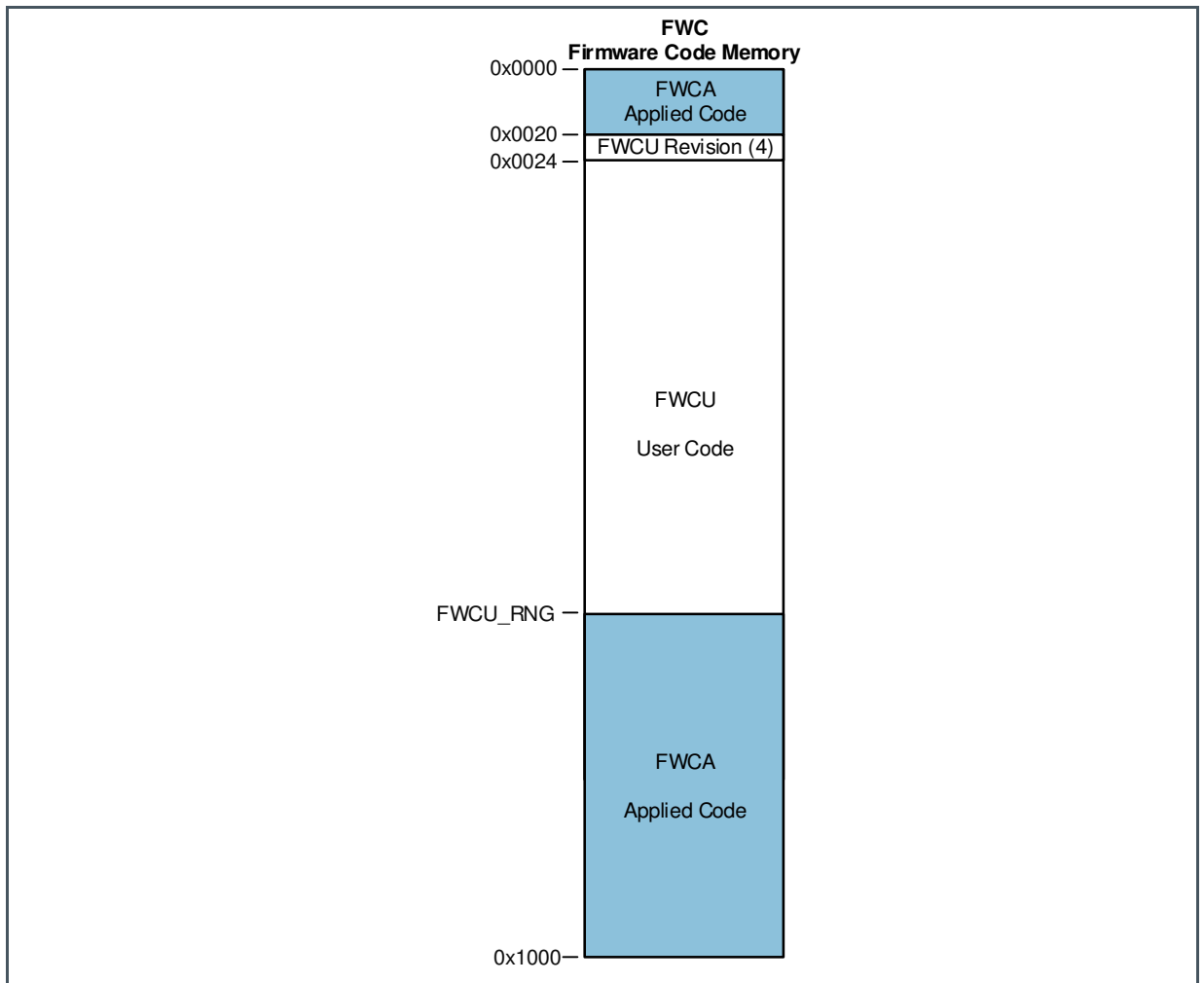
12.1 Program Area

The program area consists of two memory parts: A 4 kB NVRAM for re-programmable program code, and a 4 kB ROM with read-only program code.

The firmware code in re-programmable NVRAM memory consists of:

- A USER part which can be programmed by customer
- A divided **SciSense** part, pre-programmed by **SciSense** including general subroutines addressable by customer.

Figure 117:
Program Area



The available size of USER Firmware (FWU) is defined in register **SRR_FWU_RNG**. The user can read this. In addition, the USER firmware has a reserved area of 4 byte at the beginning of the code memory, which can be used to implement a revision number. The revision can be read via register **SRR_FWU_REV**. The revision of applied firmware (FWA) can be read via **SRR_FWA_REV**. Note that these two registers get updated by the bootloader, which is run after each POR, system reset or system init. The bootloader updates the SRR_FWU_RNG as well as the revision registers.

The firmware code in read-only ROM memory includes system subroutines (bootloader, checksum generation) and general subroutines which are also addressable by users. It further handles an initial check of CPU requests set in **SHR_CPU_REQ** register

12.2 Random Access Area (RAA)

The random access area can be separated into 4 sections:

- Random access memory (RAM) storing volatile firmware data and including frontend data buffer
- Register area
- Non-volatile RAM (NVRAM) storing non-volatile firmware data
- Asynchronous Communication Port

The RAA has the following structure:

Figure 118:
Random Access Area (RAA)

IP	Address	DWORD	Section	Description	Type ⁽¹⁾
RAM 176×32	0x000 to 0x07F	128	FWV	Firmware variables	RW
	0x080 to 0x087	8	FDB	Frontend Data Buffer	RW
	0x088 to 0x09B	20	FDB / (FWV)	Frontend Data Buffer / Firmware variables	RW
	0x09C to 0x09F	4	FWV	Firmware variables	RW
	0x0A0 to 0x0AF	16	FWV or (TEMP)	Firmware variables or temporary variables	RW
	0x0B0 to 0x0BF	16	NU	Not used	
Direct Mapped Registers	0x0C0 to 0x0CF	16	CR	Configuration Registers	RW
	0x0D0 to 0x0DF	16	SHR	Special Handling Registers	RW
	0x0E0 to 0x0EF	16	SRR	Status & Result Registers	RO
	0x0F0 to 0x0F7	8	NU	Not used	
	0x0F8 to 0x0FB	4	DR	For internal use only	RO
	0x0FC to 0x0FF	4	NU	Not used	
NVRAM 120×32	0x100	1	FWCU_CS	Firmware Code User, Checksum	RW
	0x101	1	FWDU_CS	Firmware Data User, Checksum	RW
	0x102 to 0x16A	105	FWDU	Firmware Data	RW
	0x16B	1		ACR Autoconfig Release Code	RW
	0x16C to 0x177	12		CDU Configuration Data User	RW
NVRAM 8×32	0x178 to 0x17A	3	FWDA_CD	CDA Configuration Data SciSense	RW ⁽¹⁾
	0x17B to 0x17C	2	PUID	Production Unique ID	RW ⁽¹⁾
	0x17D	1	FWDA_CS	Firmware Data SCIOSENSE, Checksum	RW ⁽¹⁾
	0x17E	1	FWCA_CS	Firmware Code SCIOSENSE, Checksum	RW ⁽¹⁾
	0x17F	1	FWD_CPT	For internal use only	RW ⁽¹⁾
	0x180 to 0x1BF	64	NU	Not used	
Direct Mapped Registers	0x1C0 to 0x1C7	8	ACP	Asynchronous communication port GET: CPU → SPI	RO/WO ⁽²⁾
	0x1C8 to 0x1FF	56	NU	Not used	

(1) Write Access for Page 2 of NVRAM is disabled for users, and only foreseen for **SciSense** production flow.

(2) Read only by remote interface, write only by CPU

12.2.1 Frontend Data Buffer (FDB)

The frontend data buffer is used by the ultrasonic measurement (including time of flight-, amplitude- and pulse-width-measurement). Time-of-flight measurement and the temperature measurement cover the same FDB section alternately. The RAM content of the FDB depends on which measurement has been executed recently.

FDB in case of Time-of-Flight Measurement

In case of an ultrasonic ToF measurement the FDB contains the results for up to 10 individual zero crossing data in up and down as well as the average over all as being configured. In addition, the pulse width ratio, the amplitude measurement result and the amplitude calibration result are stored.

Figure 119:
FDB in case of ToF

Addr	Name ¹⁾	Description
0x080	FDB_US_TOF_SUM_OF_ALL_U	Ultrasonic TOF Sum of All Value Up
0x081	FDB_US_PW_U	Ultrasonic Pulse Width Ratio Up
0x082	FDB_US_AM_U	Ultrasonic Amplitude Value Up
0x083	FDB_US_AMC_VH	Ultrasonic Amplitude Calibrate Value High
0x084	FDB_US_TOF_SUM_OF_ALL_D	Ultrasonic TOF Sum of All Value Down
0x085	FDB_US_PW_D	Ultrasonic Pulse Width Ratio Down
0x086	FDB_US_AM_D	Ultrasonic Amplitude Value Down
0x087	FDB_US_AMC_VL	Ultrasonic Amplitude Calibrate Value Low
0x088	FDB_US_TOF_0_U	Ultrasonic TOF Up: Value 0 (1-0)
0x089	FDB_US_TOF_1_U	Ultrasonic TOF Up: Value 1 (1-1)
0x08A	FDB_US_TOF_2_U	Ultrasonic TOF Up: Value 2 (1-2)
0x08B	FDB_US_TOF_3_U	Ultrasonic TOF Up: Value 3 (2-0)
0x08C	FDB_US_TOF_4_U	Ultrasonic TOF Up: Value 4 (2-1)
0x08D	FDB_US_TOF_5_U	Ultrasonic TOF Up: Value 5 (2-2)
0x08E	FDB_US_TOF_6_U	Ultrasonic TOF Up: Value 6 (3-0)
0x08F	FDB_US_TOF_7_U	Ultrasonic TOF Up: Value 7 (3-1)
0x090	FDB_US_TOF_8_U	Ultrasonic TOF Up: Value 8 (3-2)
0x091	FDB_US_TOF_9_U	Ultrasonic TOF Up: Value 0 (3-3)
0x092	FDB_US_TOF_0_D	Ultrasonic TOF Down: Value 0 (1-0)
0x093	FDB_US_TOF_1_D	Ultrasonic TOF Down: Value 1 (1-1)
0x094	FDB_US_TOF_2_D	Ultrasonic TOF Down: Value 2 (1-2)
0x095	FDB_US_TOF_3_D	Ultrasonic TOF Down: Value 3 (2-0)
0x096	FDB_US_TOF_4_D	Ultrasonic TOF Down: Value 4 (2-1)
0x097	FDB_US_TOF_5_D	Ultrasonic TOF Down: Value 5 (2-2)
0x098	FDB_US_TOF_6_D	Ultrasonic TOF Down: Value 6 (3-0)
0x099	FDB_US_TOF_7_D	Ultrasonic TOF Down: Value 7 (3-1)

Addr	Name ⁽¹⁾	Description
0x09A	FDB_US_TOF_8_D	Ultrasonic TOF Down: Value 8 (3-2)
0x09B	FDB_US_TOF_9_D	Ultrasonic TOF Down: Value 0 (3-3)

(1) Important registers are marked with blue

FDB in case of Temperature Measurement

The temperature measurement are both based on RDC's discharge time measurement. Various combinations are possible, and the FDB content varies accordingly.

Figure 120:
Combinations for temperature measurement

Mode	
Off	
Internal	
Internal + 2-wire	1 port
	2 ports
2-wire	1 port
	2 ports
4-wire	1 port
	2 ports

Figure 121:
FDB in case of Temperature Measurement

Addr	Name ⁽¹⁾	Unit ⁽¹⁾	Seq. ⁽²⁾	Description
0x080	FDB_TPM1_M1AB_RAB_G12	C	1	Gain compensation
	FDB_TPM1_M1A_RAB_G12			
	FDB_TPM1_M1B_RAB_G12			
0x081	FDB_TPM1_RAB_G12			Reference port REF-AB
0x082	FDB_TPM1_M1A_G12	T		Temperature port M1-A
0x083	FDB_TPM1_M2A_G12			Temperature port M2-A
0x084	FDB_TPM1_RA_G12	C		RDSON compensation
0x085	FDB_TPM1_MI_R_G12	I		Internal temperature reference
0x086	FDB_TPM1_MI_RM_G12			Internal temperature compensation
0x087	FDB_TPM1_MI_M_G12			Internal temperature measurement
0x088 to 0x08D	NOT USED			
0x08E	FDB_TPM2_M1AB_RAB_G12	C	2	Gain compensation
	FDB_TPM2_M1A_RAB_G12			

Addr	Name ⁽¹⁾	Unit ⁽¹⁾	Seq. ⁽²⁾	Description
	FDB_TPM2_M1B_RAB_G12			
0x08F	FDB_TPM2_RAB_G12			Reference port REF-AB
0x090	FDB_TPM2_M1A_G12	T		Temperature port M1-A
0x091	FDB_TPM2_M2A_G12			Temperature port M2-A
0x092	FDB_TPM2_RA_G12	C		RDSON compensation
0x093	FDB_TPM2_MI_R_G12			Internal temperature reference
0x094	FDB_TPM2_MI_RM_G12	I		Internal temperature compensation
0x095	FDB_TPM2_MI_M_G12			Internal temperature measurement

- (1) C [grey] = Compensation T [red] = Temperature I [orange] = Internal temperature
 (2) Seq. = measurement sequence

Figure 122:
FDB in case of 4-wire Temperature

Addr	Name ⁽¹⁾	Seq. ⁽²⁾	Description
0x080	FDB_T4W1_M1AB_RAB_G12	1	Gain compensation
0x081	FDB_T4W1_RAB_G12		Reference port REF-AB
0x082	FDB_T4W1_M1AB_G12		Temperature port M1-AB
0x083	FDB_T4W1_M2AB_G12		Temperature port M2-AB
0x084	FDB_T4W1_RA_G12		Reference port REF A
0x085	FDB_T4W1_RB_G12		Reference port REF B
0x086	FDB_T4W1_M1A_G12		Temperature port M1-A
0x087	FDB_T4W1_M1B_G12		Temperature port M1-B
0x088	FDB_T4W1_M1AB_G1		Temperature port M1-AB
0x089	FDB_T4W1_M1AB_G2		Temperature port M1-AB
0x08A	FDB_T4W1_M2A_G12		Temperature port M2-A
0x08B	FDB_T4W1_M2B_G12		Temperature port M2-B
0x08C	FDB_TPM1_M2B_G1		Temperature port M2-AB
0x08D	FDB_TPM1_M2B_G2		Temperature port M2-AB
0x08E	FDB_T4W2_M1AB_RAB_G12	2	Gain compensation
0x08F	FDB_T4W2_RAB_G12		Reference port REF-AB
0x090	FDB_T4W2_M1AB_G12		Temperature port M1-AB
0x091	FDB_T4W2_M2AB_G12		Temperature port M2-AB
0x092	FDB_T4W2_RA_G12		Reference port REF A
0x093	FDB_T4W2_RB_G12		Reference port REF B
0x094	FDB_T4W2_M1A_G12		Temperature port M1-A
0x095	FDB_T4W2_M1B_G12		Temperature port M1-B
0x096	FDB_T4W2_M1AB_G1		Temperature port M1-AB
0x097	FDB_T4W2_M1AB_G2		Temperature port M1-AB

Addr	Name ⁽¹⁾	Seq. ⁽¹⁾	Description
0x098	FDB_T4W2_M2A_G12		Temperature port M2-A
0x099	FDB_T4W2_M2B_G12		Temperature port M2-B
0x09A	FDB_T4W2_M2AB_G1		Temperature port M2-AB
0x09B	FDB_T4W2_M2AB_G2		Temperature port M2-AB

(1) Seq. = Measurement sequence

12.2.2 Configuration Registers

The AS6040 has 15 configuration registers of up to 32 bit word length. Configuration registers mainly contain fixed parameters which define the operation of all functional blocks of the UFC. They can be automatically initialized by the bootloader from firmware data in the NVRAM.

Figure 123:
Configuration Registers Overview

Addr	Name	Description
0x0C0	CR_WD_DIS	Watchdog Disable
0x0C1	CR_IFC_CTRL	Interfaces Control
0x0C2	CR_GP_CTRL	General Purpose Control
0x0C3	CR_USM_OPT	USM: Options
0x0C4	CR_IEH	Interrupt & Error Handling
0x0C5	CR_CPM	Clock & Power Management
0x0C6	CR_MRG_TS	Measure Rate Generator & Task Sequencer
0x0C7	CR_TPM	Temperature Measurement
0x0C8	CR_USM_PRC	USM: Processing
0x0C9	CR_USM_FRC	USM: Fire & Receive Control
0x0CA	CR_USM_TOF	USM: Time of Flight
0x0CB	CR_USM_AM	USM: Amplitude Measurement
0x0CC	CR_TRIM1	Trim Parameter
0x0CD	CR_TRIM2	Trim Parameter
0x0CE	CR_TRIM3	Trim Parameter
0x0CF	NOT USED	Not used

12.2.3 Special Handling Registers (SHR)

The AS6040 has 15 special handling registers of up to 32 bit word length. Special handling registers define the operation of the various units of UFC, like the configuration registers. Unlike the configuration registers, they contain data that is supposed to change during operation. Most of these

registers are not automatically initialized. The bootloader initializes SHR_TOF_RATE with FWD(118)[29:24] and SHR_FHL_U/D with FWD(119)[31:24].

Figure 124:
Special Handling Registers Overview

Addr	Name	Description
0x0D0	SHR_TOF_RATE	Time-of-Flight rate
0x0D1	SHR_USM_RLS_DLY_U	Measurement Release Delay Up
0x0D2	SHR_USM_RLS_DLY_D	Measurement Release Delay Down
0x0D3	SHR_GPO	General Purpose Out
0x0D4	SHR_PI_NPULSE	Pulse Interface Number of Pulses
0x0D5	SHR_PI_TPA	Pulse Interface Time Pulse Distance
0x0D6	SHR_PI_IU_TIME	Pulse Interface, Internal Update Time Distance
0x0D7	SHR_PI_IU_NO	Pulse Interface Number of internal Update
0x0D8	NOT USED	not used
0x0D9	SHR_ZCD_LVL	Zero cross detection, level
0x0DA	SHR_FHL_U	Zero Cross Detection First Hit Level Up
0x0DB	SHR_FHL_D	Zero Cross Detection First Hit Level Down
0x0DC	SHR_CPU_REQ	CPU Requests
0x0DD	SHR_EXC	Executables
0x0DE	SHR_RC	Remote Control
0x0DF	SHR_RC_RLS	Release Code for actions of SHR_RC

12.2.4 Status & Result Registers

The AS6040 has 14 status & result registers of up to 32 bit word length. The status & result registers contain information generated by the chip hardware, e.g. status information like error flags or timing information, or measurement values from various hard-coded calibrations. It is not possible to write them directly.

Figure 125:
Status & Result Registers Overview

Addr	Name	Description
0x0E0	SRR_IRQ_FLAG	Interrupt Flags
0x0E1	SRR_ERR_FLAG	Error Flags
0x0E2	SRR_FEP_STF	Frontend Processing Status Flags
0x0E3	SRR_GPI	General Purpose In
0x0E4	SRR_HCC_VAL	High-Speed Clock Calibration Value
0x0E5	SRR_VCC_VAL	Measurement Value for VCC Voltage
0x0E6	SRR_TSV_HOUR	Time Stamp Value: Hours

Addr	Name	Description
0x0E7	SRR_TSV_MIN_SEC	Time Stamp Value: Minutes & Seconds
0x0E8	NOT USED	not used
0x0E9	SRR_TS_TIME	Task Sequencer Time
0x0EA	SRR_MSC_STF	Miscellaneous Status Flags
0x0EB	SRR_I2C_RD	2-wire Master Interface Read Data
0x0EC	SRR_FWU_RNG	Range Firmware Code User
0x0ED	SRR_FWU_REV	Revision Firmware Code User
0x0EE	SRR_FWA_REV	Revision Firmware Code SciSense
0x0EF	NOT USED	Not used

12.3 Detailed Register Description

12.3.1 Frontend Data Buffer

Data Format of TDC Time Values in Frontend Data Buffer

This data format is given for all provided result values in Frontend Data Buffer, except value for pulse width ratio.

Figure 126:
FDB DATA FORMAT OF TDC DATA

Bit	Description
31:0	<p>TDC Time Value</p> <p>Unsigned integer, 1 LSB: $1/2^{16} * t_{\text{period}}(\text{HSO})$</p> <p>$t_{\text{period}}(\text{HSO}) = 250 \text{ ns}$ TDC running with 4 MHz</p> <p>$t_{\text{period}}(\text{HSO}) = 125 \text{ ns}$ TDC running with 8 MHz</p>

Notes:

1. The sum of TOF values may not exceed 16 ms @ 4 MHz, 8 ms @ 8 Mhz. Individual TOF values shall not exceed 4 ms @ 4 MHz, 2 ms @ 8 MHz
2. The average of the TOF hits, $(\text{FDB_US_TOF_SUM_OF_ALL_x} / \text{TOF_HIT_SUM_NO})$, is shifted by $(\text{TOF_HIT_SUM_NO} - 1) / 2 * T_{\text{ref}}$ versus the first hit FDB_US_TOF_0_x

Data Format of Pulse Width Ratio

This data format is only given for value of pulse width ratio.

Figure 127:
FDB DATA FORMAT OF PULSE WIDTH DATA

Bit	Description
31:0	Pulse Width Ratio Ratio of pulse width between first hit and start hit Unsigned integer [7:0], 1 LSB: $1/2^7$, Range: 0 to 1.992

12.3.2 Configuration Registers

CR_WD_DIS Register (Address 0x0C0)

Figure 128:
CR_WD_DIS Register

Addr: 0x0C0		CR_WD_DIS (Watchdog Disable)
Bit	Bit Name	Bit Description
31:0	WS_DIS	Code to disable Watchdog: 0x48DB_A399, Write only register, with default 0xAF0A7435. Status of watchdog can be checked in WD_DIS in register SRR_MSC_STF

CR_IFC_CTRL Register (Address 0x0C1)

Figure 129:
CR_IFC_CTRL Register

Addr: 0x0C1		CR_IFC_CTRL (Interfaces Control)
Bit	Bit Name	Bit Description
7:0	PI_TPW	Pulse Interface, Pulse Width = PI_TPW * 976.5625 μ s (LP_MODE = 1), = PI_TPW * 1 ms (LP_MODE = 0)
8	PI_EN	Pulse Interface Enable, if operating in flow meter mode 0: Pulse Interface disabled 1: Pulse Interface enabled
9	PI_OUT_MODE	0: Output of pulses on 1 line with additional direction signal 1: Output of pulses on different lines for each direction
10	PI_UPD_MODE	0: Automatic Update disabled, only by PI_UPD in SHR_EXC 1: Automatic Update wit next TOF Trigger
11	NOT_USED	Mandatory setting: b0

Addr: 0x0C1		CR_IFC_CTRL (Interfaces Control)
Bit	Bit Name	Bit Description
13:12	I2C_MODE	2-wire master interface mode, I2C like 00: I2C disabled 01: I2C enabled on GPIO 0/1 10: I2C enabled on GPIO 2/3 11: Not allowed
20:14	I2C_ADR	2-wire master interface slave address
21	NOT_USED	Mandatory setting: b0
23:22	SPI_INPORT_CFG	Configuration of SPI input ports: SSN, MOSI & SCK 00: Inputs High Z (recommended if SPI is connected) 01: Inputs Pull Up (recommended if SPI is disconnected) 10: Inputs Pull Down 11: Inputs High Z
31:24	NOT USED	

CR_GP_CTRL Register (Address 0x0C2)

Figure 130:
CR_GP_CTRL Register

Addr: 0x0C2		CR_GP_CTRL (General Purpose Control)
Bit	Bit Name	Bit Description
1:0	GP0_DIR	Direction of General Purpose Port 0 00: Output 01: Input Pull Up 10: Input Pull Down 11: Input High Z
3:2	GP0_SEL	Selection for General Purpose Port 0 Output (GP0_DIR = 00) 00: General Purpose Out[0] 01: Pulse Interface -> Pulse 10: Low Speed Clock 11: Ultrasonic Fire Burst Input (GP2_DIR = 01 / 10 / 11) provided to SRR_GPI[0] 00: Mandatory setting 01 / 1x : Not allowed
5:4	GP1_DIR	Direction of General Purpose Port 1 see definition for GP0_DIR

Addr: 0x0C2		CR_GP_CTRL (General Purpose Control)
Bit	Bit Name	Bit Description
7:6	GP1_SEL	Selection for General Purpose Port 1 Output (GP1_DIR = 00) 00: General Purpose Out[1] 01: Pulse Interface -> Direction 10: Error Flag (low active) 11: Ultrasonic Direction Input (GP1_DIR = 01 / 10 / 11) provided to SRR_GPI[1] 00: Mandatory setting 01 / 1x : Not allowed
9:8	GP2_DIR	Direction of General Purpose Port 2 see definition for GP0_DIR
11:10	GP2_SEL	Select of General Purpose Port 2 Output (GP2_DIR = 00) 00: General Purpose Out[2] 01: Pulse Interface -> Pulse 10: Pre-Charge state of transducer interface (TI_FP_PCH) 11: not used Input (GP2_DIR = 01 / 10 / 11) provided to SRR_GPI[2] 00: Mandatory setting 01 / 1x : Not allowed
13:12	GP3_DIR	Direction of General Purpose Port 3 00: Output 01: Input Pull Up 10: Input Pull Down 11: Input High Z
15:14	GP3_SEL	Selection for General Purpose Port 3 Output (GP3_DIR = 00) 00: General Purpose Out[3] 01: Pulse Interface -> Direction 10: Charge Pump Enable (TI_CHP_EN) 11: Ultrasonic Fire Busy (TI_FIRE_BUSY) Input (GP3_DIR = 01 / 10 / 11) provided to SRR_GPI[3] 00: Mandatory setting 01 / 1x : Not allowed
17:16	GP4_DIR	Direction of General Purpose Port 4 00: Output 01: Input Pull Up 10: Input Pull Down 11: Input High Z
19:18	GP4_SEL	Selection for General Purpose Port 4 Output (GP4_DIR = 00): 00: General Purpose Out[4] 01: Ultrasonic Measurement Busy 10: PGA Enable (TI_PGA_EN) 11: not used Input (GP4_DIR = 01 / 10 / 11) provided to SRR_GPI[4] 00: Mandatory setting 01 / 1x : Not allowed

Addr: 0x0C2		CR_GP_CTRL (General Purpose Control)
Bit	Bit Name	Bit Description
21:20	GP5_DIR	Direction of General Purpose Port 5. 00: Output 01: Input Pull Up 10: Input Pull Down 11: Input High Z
23:22	GP5_SEL	Selection for General Purpose Port 5 Output (GP5_DIR = 00) 00: General Purpose Out[5] 01: not used 10: PGA VREF Enable (TI_PGA_VREF) 11: not used Input (GP5_DIR = 01 / 10 / 11) provided to SRR_GPI[5] 00: Mandatory setting 01 / 1x : Not allowed
31:24	NOT_USED	Not used

CR_USM_OPT Register (Address 0x0C3)

Figure 131:
CR_USM_OPT Register

Addr: 0x0C3		CR_USM_OPT (Ultrasonic Measurement Options)
Bit	Bit Name	Bit Description
31:0	NOT USED	Mandatory setting: 0x00000001

CR_IEH (Interrupt & Errorhandling)

Figure 132:
CR_IEH Register

Addr: 0x0C4		CR_IEH (Interfaces Control)
Bit	Bit Name	Bit Description
0	EF_EN_TDC_TMO	Error Flag Enable, TDC Timeout
1	EF_EN_TOF_TMO	Error Flag Enable, TOF Timeout
2	EF_EN_AM_TMO	Error Flag Enable, Amplitude Measurement Timeout
3	EF_EN_TM_OC	Error Flag Enable, Temperature Measurement Open Circuit

Addr: 0x0C4		CR_IEH (Interfaces Control)
Bit	Bit Name	Bit Description
4	EF_EN_TM_SC	Error Flag Enable, Temperature Measurement Short Circuit
5	EF_EN_ZCC_ERR	Error Flag Enable, Zero Cross Calibration Error
6	EF_EN_LBD_ERR	Error Flag Enable, Low Battery Detect Error
7	EF_EN_USM_SQC_TMO	Error Flag Enable, Ultrasonic Sequence Timeout
8	EF_EN_TM_SQC_TMO	Error Flag Enable, Temperature Sequence Timeout
9	EF_EN_TSQ_TMO	Error Flag Enable, Task Sequencer Timeout
10	EF_EN_I2C_ACK_ERR	Error Flag Enable, EEPROM Acknowledge Error
11	EF_EN_CHP_ERR	Error Flag Enable, Charge pump error
12	EF_EN_NVM_FWCU_ERR	Error Flag Enable, NVM FWCU Error
13	EF_EN_NVM_FWDU_ERR	Error Flag Enable, NVM FWDU Error
14	EF_EN_NVM_FWA_ERR	Error Flag Enable, NVM Applied Firmware Error
15	EF_EN_CPU_ERR	Error Flag Enable, CPU Error
16	IRQ_EN_TSQ_FNS	Interrupt Request Enable, Task Sequencer finished
17	IRQ_EN_TRANS_FNS	Interrupt Request Enable, FW Transaction finished
18	IRQ_EN_BLD_FNS	Interrupt Request Enable, Bootload finished
19	IRQ_EN_CHKSUM_FNS	Interrupt Request Enable, Checksum generation finished
20	IRQ_EN_FW_S	Interrupt Request Enable , Firmware, synchronized with task sequencer
21	IRQ_EN_TSQ_TO	Interrupt Request Enable, Task Sequencer Timeout
22	NOT_USED	Mandatory to set: b0
23	IRQ_EN_ERR_FLAG	Interrupt Request Enable, Error Flag
26:24	NOT_USED	Mandatory setting: b000
27	CPU_REQ_EN_GPH	CPU Request Enable, General Purpose Handling 0: disabled 1: enabled, to be triggered by GP Timer via TS_GPT_RATE , via SHR_EXC or RC_REQ_GPH

Addr: 0x0C4		CR_IEH (Interfaces Control)
Bit	Bit Name	Bit Description
31:28	TS_GPT_RATE	General Purpose Timer Rate 0000: GPT Timer disabled 0001: 1 sec 0010: 2 sec 0011: 5 sec 0100: 10 sec 0101: 30 sec 0110: 1 min 0111: 2 min 1000: 5 min 1001: 10 min 1010: 30 min 1011: 1 h 1100: 2 h 1101: 6 h 1110: 24 h 1111: 48 h If enabled, also CPU_REQ_EN_GPH must be set !

CR_CPM (Clock- & Power-Management)

Figure 133:
CR_CPM Register

Addr: 0x0C5		CR_CPM (Clock- & Power-Management)
Bit	Bit Name	Bit Description
0	HSC_DIV_MODE	High Speed Clock Divider Mode 0: Recommended for HS_CLK = 4 MHz 1: Recommended for HS_CLK = 8 MHz
1	NOT_USED	Mandatory to set: b0
4:2	HSC_CLK_ST	High-Speed Clock Settling Time 000: On Request, Settling Time 74 μ s 001: On Request, Settling Time 104 μ s 010: On Request, Settling Time 135 μ s 011: On Request, Settling Time 196 μ s 100: On Request, Settling Time 257 μ s 101: On Request, Settling Time 379 μ s 110: On Request, Settling Time 502 μ s 111: On Request, Settling Time ~5000 μ s
5	NOT_USED	Mandatory to set: b1
6	HSC_DIV_TDC	Mandatory to set: b0
7	NOT_USED	Mandatory to set: b0

Addr: 0x0C5		CR_CPM (Clock- & Power-Management)
Bit	Bit Name	Bit Description
8	HSC_DIV	High-Speed Clock Divider 0: Recommended for HS_CLK = 4 MHz 1: HS_CLK divided by 2 for all individual high speed clock dividers. Recommended for HS_CLK = 8 MHz
11:9	HSC_RATE	High-Speed Clock Calibration Rate, every Nth measure cycle trigger 000: disabled 001: every 010: every 2 nd 011: every 5 th 100: every 10 th 101: every 20 th 110: every 50 th 111: every 100 th
12	HSC_MODE_CPU	High-Speed Clock Mode CPU 0: High Speed Clock for CPU running with 4 MHz 1: High Speed Clock for CPU running with 1 MHz Note: Clock source can be changed in FW code with opcode clkmode, default is internal CPU clock.
15:13	VM_RATE	VCC Voltage measurement rate, every Nth measure cycle trigger 000: disabled 001: every 010: every 2 nd 011: every 5 th 100: every 10 th 101: every 20 th 110: every 50 th 111: every 100 th
21:16	LBD_TH	Low battery detection threshold, can be used with V _{cc} measurement 1 LSB: 25 mV LBD_TH = 0: 2.15 V LBD_TH = 63: 3.725 V
22	TSV_UPD_MODE	Time stamp update mode 0: updated by TSV_UPD in SHR_EXC 1: automatically updated every measure cycle trigger
23	BF_SEL	Base Frequency Select 0: 50 Hz T _{BF} = 20 ms 1: 60 Hz T _{BF} = 16.66 ms
27:24	CHP_HV_SEL	Selection of charge pump voltage 5.6 to 18.2 V in steps of 0.9V (1111 is not allowed)
30:28	CHP_TRIM	Charge pump trim, configures charge pump multiplication factor (000=2x to 101=8x, 110,111 is not allowed) and therefore maximum limit for output voltage

Addr: 0x0C5		CR_CPM (Clock- & Power-Management)
Bit	Bit Name	Bit Description
31	NOT_USED	Mandatory to set: b0

CR_MRG_TS (Measure Rate Generator & Task Sequencer)

Figure 134:
CR_MRG_TS Register

Addr: 0x0C6		CR_MRG_TS (Measure Rate Generator & Task Sequencer)
Bit	Bit Name	Bit Description
12:0	MR_CT	Measure rate cycle time 0: disabled 1 to 8191: Cycle time = MR_CT x 976.5625 μ s (LP_MODE = 1), = MR_CT x 1 ms (LP_MODE = 0)
13	TS_MCM	Task Sequencer Measure Cycle Mode 0: Cycle Trigger in same phase for USM and TPM 1: Cycle Trigger in different phases for USM and TPM
14	TS_PP_T_EN	Enables final post processing T (after last measurement task) 0: Post Processing T disabled 1: Post Processing T enabled
15	TS_PP_F_EN	Enables post processing F (after flow and amplitude measurement task) 0: Post Processing F disabled 1: Post Processing F enabled
16	TS_PP_MODE	Post processing mode (only if post processing is enabled) 0: Post processing requested with every task sequencer trigger 1: Post processing only requested if a measurement task is requested
19:17	TS_CST_RATE	Firmware Check(sum) Timer Rate 000: disabled 001: 1h 010: 2h 011: 6h 100: 24h 101: 48h 110: 96h 111: 168h

Addr: 0x0C6		CR_MRG_TS (Measure Rate Generator & Task Sequencer)
Bit	Bit Name	Bit Description
23:20	TS_NVR_RATE	Recall Timer Rate 0000: NVR Timer disabled ... 1011: 1 h 1100: 2 h 1101: 6 h 1110: 24 h 1111: 48 h
25:24	NOT_USED	Mandatory to set: b01
27:26	TS_CHP_MODE	Charge Pump Mode 00: Charge Pump disabled 01: not used 10: Charge Pump enabled. Pump Cycle at start of each US measurement 11: not used
29:28	TS_CHP_WT	Charge Pump Wait Time 00: 0.52 ms 01: 1 ms (recommended) 10: 2.5 ms 11: not allowed
30	NOT_USED	Mandatory to set: b0
31	TS_CST_MODE	Checksum Handling Mode 0: performed as soon as timer request occurs (recommended if TS_MCM = 0) 1: only performed if no TPM or USM measurement task is requested in this task sequencer cycle (recommended if TS_MCM = 1)

CR_TPM (Temperature Measurement)

Figure 135:
CR_TPM Register

Addr: 0x0C7		CR_TPM (Temperature Measurement)
Bit	Bit Name	Bit Description
9:0	TM_RATE	Temperature Measurement Rate 0: disabled 1 to 1023: Rate related to sequencer cycle trigger

Addr: 0x0C7		CR_TPM (Temperature Measurement)
Bit	Bit Name	Bit Description
12:10	TPM_PAUSE	Pause time between 2 temperature measurements 00x: not used 010: Pause = 0.25 * T(BF_SEL) ms 011: Pause = 0.5 * T(BF_SEL) ms 100: Pause = 1.0 * T(BF_SEL) ms 101: Pause = 1.5 * T(BF_SEL) ms 110: Pause = 2.0 * T(BF_SEL) ms 111: Pause = 2.5 * T(BF_SEL) ms
15:13	TM_MODE	Temperature Measurement Mode 000: Off 001: Internal only 010: Internal & 2-wire/1 port 011: Internal & 2-wire/2 ports 100: 2-wire/1 port 101: 2-wire/2 ports 110: 4-wire/1 port 111: 4-wire/2 ports
16	NOT USED	Mandatory to set: b0
17	TPM_PORT_MODE	Temperature Measurement Port Mode 0: Inactive ports pulled to GND while measurement 1: Inactive ports set to HighZ while measurement (only for extern measurement)
19:18	TM_PORT_ORDER	Temperature Measurement Port Order 10: 1 st measurement: default order / 2 nd measurement: reversed order (recommended)
21:20	TPM_CLOAD_TRIM	Temperature Measurement Load Trim Defines a delay between enabling of measure port(s) and starting measurement (switching point of CLOAD between charging & discharging) 10: 3.95 μ s \pm 1 ns (recommended)
22	TPM_CYCLE_SEL	Temperature Measurement Cycle Select 0: 512 μ s (recommended) 1: 1024 μ s
23	TPM_FAKE_NO	Number of Fake measurements 0: 2 fake measurements (recommended) 1: 8 fake measurements
31:24	NOT USED	Not used Mandatory setting: h00

CR_USM_PRC (Ultrasonic Measurement Processing)
Figure 136:
CR_USM_PRC Register

Addr: 0x0C8		CR_USM_PRC (Ultrasonic Measurement Processing)
Bit	Bit Name	Bit Description
2:0	USM_PAUSE	Pause time between two ultrasonic measurements, can suppress power line 50/60Hz noise 000: no pause, only 1 measurement performed * 001: not allowed 010: 0.25 * T(BF_SEL) ms 011: 0.5 * T(BF_SEL) ms 100: 1.0 * T(BF_SEL) ms recommended 101: 1.5 * T(BF_SEL) ms 110: 2.0 * T(BF_SEL) ms 111: 2.5 * T(BF_SEL) ms * If no pause is configured (USM_PAUSE = 0), CR_TRIM2[7:6] has to be configured to b00.
3	TI_PGA_AZ_DIS	PGA Auto-zero Disable 0: PGA Auto-zero process as defined 1: PGA Auto-zero disabled
5:4	USM_DIR_MODE	Ultrasonic Measurement Direction Mode 00: Always starting firing via UP-buffer 01: Always starting firing via DOWN-buffer 1x: Toggling direction with every ultrasonic measurement, recommended choice
15:6	USM_NOISE_MASK_WIN	Defines the window as long any signal (e.g. noise) is masked on receive path. Starting time refers to rising edge of 1st fire pulse. End time defines switching point between firing and receiving state of transducer interface. Offset: -0.4 μ s 1 LSB: 1 μ s 1: Recommended
17:16	USM_TO	Timeout 00: 128 μ s 01: 256 μ s 10: 1024 μ s 11: 4096 μ s If HSC_DIV_TDC = 0, for HS_CLK = 4 MHz It starts with the sequence of the fire burst. It has to be selected to a value which covers fire burst sequence, time of flight and receive burst sequence.
18	NOT_USED	Mandatory to set: b1
19	NOT_USED	Mandatory to set b0

Addr: 0x0C8		CR_USM_PRC (Ultrasonic Measurement Processing)
Bit	Bit Name	Bit Description
22:20	ZCC_RATE	Zero Cross Calibration Rate Triggered by the measurement cycle trigger B 000: disabled 001: every cycle 010: every 2 nd cycle 011: every 5 th cycle 100: every 10 th cycle 101: every 20 th cycle 110: every 50 th cycle 111: 100 th cycle
29:23	NOT_USED	Mandatory to set: b0000000
31:30	TI_PGA_CON_MODE	Connection of PGA filter between pins INVERT_IN and COMP_IN: 00: without external filter 10: external filter connected

CR_USM_FRC (Ultrasonic Measurement Fire & Receive Control)

Figure 137:
CR_USM_FRC Register

Addr: 0x0C9		CR_USM_FRC (Ultrasonic Measurement Fire & Receive Control)
Bit	Bit Name	Bit Description
6:0	FBG_CLK_DIV	Clock divider for fire burst generator Frequency = High speed clock divided by FBG_CLK_DIV 0, 1: not allowed 2 to 127: divided by 2 to 127
7	FBG_MODE	Fire Burst Generator Mode 0: Insertion of low phase 1: Insertion of high phase
15:8	FBG_PHASE_INS	Fire Burst Generator, Phase Insertion 1 LSB: $1/(2 * f/(HSC_DIV+1))$ 0: 2 LSBs 1: 2 LSBs 2 to 255: 2 to 255 LSBs If $f_{FBG_HS_CLK} = f_{HS_CLK}$ then it's recommended to configure an even value. Otherwise pulse width distortion of HS_CLK will affect inserted phase.
21:16	FBG_BURST_PRE	Fire Burst Generator, number of pulses in the initial sequence (pre-burst) 0: Not allowed 1 to 63: 1 to 63 pre pulses

Addr: 0x0C9		CR_USM_FRC (Ultrasonic Measurement Fire & Receive Control)
Bit	Bit Name	Bit Description
27:22	FBG_BURST_POST	Fire Burst Generator, number of pulses in the ending sequence (post-burst) 0: Not allowed 1 to 63: 1 to 63 pre pulses
28	NOT_USED	Mandatory to set: b0
29	NOT_USED	Mandatory to set: b1
30	TOF_HIT_MODE	TOF data in FDB according to: 0: FDB TOF data organized for spilt fire burst, 10 TOF data in 3 bundles 1: FDB TOF data organized for uniform fire burst, 10 TOF data in 1 bundle
31	NOT_USED	Mandatory to set: b0

CR_USM_TOF (Ultrasonic Measurement Time of Flight)

Figure 138:
CR_USM_TOF Register

Addr: 0x0CA		CR_USM_TOF (Ultrasonic Measurement Time of Flight)
Bit	Bit Name	Bit Description
0	NOT USED	Mandatory setting: b0
5:1	TOF_HIT_START	Defines number of detected hits (including first hit) before hit which is taken as TOF start hit for TDC measurement 0: 0 hits not allowed because start hit cannot be first hit 1: 1 hits (not recommended) 2: 2 hits 31: 31 hits
7:6	TOF_HIT_IGN	Number of multi hits ignored between two hits taken for TOF measurement 00: 0 hits 01: 1 hit 10: 2 hits 11: 3 hits

Addr: 0x0CA		CR_USM_TOF (Ultrasonic Measurement Time of Flight)
Bit	Bit Name	Bit Description
12:8	TOF_HIT_SUM_NO	Number of hits taken for sum value of TOF measurement 0: not allowed 1: 1 hit 2: 2 hits ... 31: 31 hits Note: The sum of TOF values may not exceed 16 ms @ 4 MHz, 8 ms @ 8 Mhz. Individual TOF values shall not exceed 4 ms @ 4 MHz, 2 ms @ 8 MHz
19:13	TOF_HIT_END	TOF_HIT_MODE =1: not applicable, set to TOF_HIT_END =127 TOF_HIT_MODE =0: Defines hit after start hit which triggers multi-hit end sequence 0: not allowed 1: 1 hit 2: 2 hits ... 127: 127 hits Necessary condition: $\text{TOF_HIT_END} \geq \text{TOF_HIT_SUM_NO} + 4$
21:20	NOT_USED	Mandatory to set: b00
23:22	TOF_EDGE_MODE	Time of Flight, edge mode 00: Time measurement on positive edge of TOF Hit 01: Time measurement on negative edge of TOF Hit 10: Edge for TOF hit toggling after every measurement cycle 11: Edge for TOF hit toggling after every 2. measurement cycle
29:24	TOF_RATE_INIT	FWD copy of initial value for TOF rate Only important if autoconfig release code is set. Then, during the boot process, the according FWD cell content is copied into this register (with no further effect) but also into the register SHR_TOF_RATE from which TOF rate is supplied for dynamic operation.
31:30	NOT_USED	Not used

CR_USM_AM (Ultrasonic Amplitude Measurement)

Figure 139:
CR_USM_AM Register

Addr: 0x0CB		CR_USM_AM (Ultrasonic Amplitude Measurement)
Bit	Bit Name	Bit Description
2:0	AM_RATE	Amplitude measurement rate 000: disabled 001: every TOF trigger 010: every 2nd TOF trigger 011: every 5th TOF trigger 100: every 10th TOF trigger 101: every 20th TOF trigger 110: every 50th TOF trigger 111: every 100th TOF trigger
3	NOT USED	Set to default 0
8:4	AM_PD_END	Amplitude measurement, end of peak detection, defined by number of detected hits after hit count has been released 0: not allowed 1: after 1st detected hit 2: after 2nd detected hit ... 30: after 30th detected hit 31: not allowed Recommendations: AM_RATE = 0 then AM_PD_END = 1 AM_RATE ≥ 1 then AM_PD_END = 5 to 8
11:9	NOT USED	Mandatory setting: b111
14:12	AMC_RATE	Amplitude measurement calibration rate 000: disabled 001: with every amplitude measurement 010: every 2nd amplitude measurement 011: every 5th amplitude measurement 100: every 10th amplitude measurement 101: every 20th amplitude measurement 110: every 50th amplitude measurement 111: every 100th amplitude measurement
15	PWD_EN	Enables pulse width detection 0: pulse width detection disabled 1: pulse width detection enabled
19:16	PGA_TRIM	PGA_TRIM sets the gain of the PGA via trim bits in steps of 0 := 2 V/V, 5 := 10 V/V, 10 := 50 V/V, 1 := 3 V/V, 6 := 14 V/V, 11 := 69 V/V 2 := 4 V/V, 7 := 19 V/V, 12 := 96 V/V 3 := 5 V/V, 8 := 26 V/V, 13 := 132 V/V 4 := 7 V/V, 9 := 36 V/V,

Addr: 0x0CB		CR_USM_AM (Ultrasonic Amplitude Measurement)
Bit	Bit Name	Bit Description
20	NOT USED	Mandatory setting: b0
21	PGA_MODE	Ultrasonic measurement PGA Mode 0: PGA disabled 1: PGA enabled
22	NOT USED	Mandatory setting: b1
23	NOT USED	Mandatory setting: b1
31:24	ZCD_FHL_INIT	FWD copy of initial value for first hit levels Only important if autoconfig release code is set. Then, during the boot process, the according FWD cell content is copied into this register (with no further effect) but also into the register SHR_FHL_U & SHR_FHL_D from which first hit levels are supplied for dynamic operation

CR_TRIM1 (Trim Parameter 1)

Figure 140:
CR_TRIM1 Register

Addr: 0x0CC		CR_TRIM1 (Trim Parameter 1)
Bit	Bit Name	Bit Description
31:0	TRIM1	Default 0x94A0C46C

CR_TRIM2 (Trim Parameter 2)

Figure 141:
CR_TRIM2 Register

Addr: 0x0CD		CR_TRIM2 (Trim Parameter 2)
Bit	Bit Name	Bit Description
31:0	TRIM2	Default 0x401100C7

CR_TRIM3 (Trim Parameter 3)

Figure 142:
CR_TRIM3 Register

Addr: 0x0CE		CR_TRIM3 (Trim Parameter 3)
Bit	Bit Name	Bit Description
31:0	TRIM3	Default 0x00A7400F

12.3.3 Special Handling Registers

SHR_TOF_RATE (Time Of Flight Rate)

Figure 143:
SHR_TOF_RATE Register

Addr: 0x0D0		SHR_TOF_RATE (Time Of Flight Rate)
Bit	Bit Name	Bit Description
5:0	TOF_RATE	TOF Rate 0: TOF Measurement disabled 1 to 63: Rate of TOF Measurement relative to measure rate cycle trigger
31:6	NOT USED	Not used

SHR_USM_RLS_DLY_U (Ultrasonic Release Delay Up)

Figure 144:
SHR_USM_RLS_DLY_U Register

Addr: 0x0D1		SHR_USM_RLS_DLY_U (Ultrasonic Release Delay Up)
Bit	Bit Name	Bit Description
18:0	USM_RLS_DLY_U	Delay window in up direction, releasing ultrasonic measurement The start time of the delay window refers to rising edge of the 1 st fire pulse 1 LSB: 7.8125 ns
31:19	NOT USED	Not used

SHR_USM_RLS_DLY_D (Ultrasonic Release Delay Down)

Figure 145:
SHR_USM_RLS_DLY_D Register

Addr: 0x0D2		SHR_USM_RLS_DLY_D (Ultrasonic Release Delay Down)
Bit	Bit Name	Bit Description
18:0	USM_RLS_DLY_D	Delay window in down direction, releasing ultrasonic measurement. The start time of the delay window refers to rising edge of the 1 st fire pulse 1 LSB: 7.8125 ns
31:19	NOT USED	Not used

SHR_GPO (General Purpose Out)

Figure 146:
SHR_GPO Register

Addr: 0x0D3		SHR_GPO (General Purpose Out)
Bit	Bit Name	Bit Description
5:0	GPO	General Purpose Out
7:6	NOT_USED	Not used
8	PI_OUT_FRC0	Forces LOW on pulse output (unless PI_OUT_FRC1 is set) Typically set by firmware for zero flow
9	PI_OUT_FRC1	Forces HIGH on pulse output (priority over PI_OUT_FRC0) Typically set by firmware for error indication
10	PI_DIR_FRC0	Forces Low on pulse direction (unless PI_DIR_FRC1 is set) Typically set by firmware
11	PI_DIR_FRC1	Forces HIGH on pulse direction (priority over PI_DIR_FRC0) Typically set by firmware
12	FWCU_CS_ERR	FWCU checksum error Set by NVRAM check subroutine in ROM code Triggers EF_NVM_FWCU_ERR
13	FWDU_CS_ERR	FWDU checksum error Set by NVRAM check subroutine in ROM code Triggers EF_NVM_FWDU_ERR
18:14	FWA_CS_ERR	Different FWA checksum errors Set by NVRAM check subroutine in ROM code Triggers EF_NVM_FWA_ERR

Addr: 0x0D3		SHR_GPO (General Purpose Out)
Bit	Bit Name	Bit Description
19	FW_ERR	FW error Typically set by FW code Triggers EF_FWA_ERR
31:20	NOT USED	Not used

SHR_PI_NPULSE (Pulse Interface Number of Pulses)

Figure 147:
SHR_PI_NPULSE Register

Addr: 0x0D4		SHR_PI_NPULSE (Pulse Interface Number of Pulses)
Bit	Bit Name	Bit Description
31:0	PI_NPULSE	Number of pulses, signed integer 1 LSB: $1/2^{24}$

SHR_PI_TPA (Pulse Interface Time Pulse Distance)

Figure 148:
SHR_PI_TPA Register

Addr: 0x0D5		SHR_PI_TPA (Pulse Interface Time Pulse Distance)
Bit	Bit Name	Bit Description
15:0	PI_TPA	Minimal distance between two pulses 1 LSB: 0.97656 ms (LP_MODE = 1) 1 LSB: 1 ms (LP_MODE = 0) Mandatory condition: PI_TPA > PI_TPW
31:16	NOT USED	Not used

SHR_PI_IU_TIME (Pulse Interface Internal Update Time)

Figure 149:
SHR_PI_IU_TIME Register

Addr: 0x0D6		SHR_PI_IU_TIME (Pulse Interface Internal Update Time)
Bit	Bit Name	Bit Description
15:0	PI_IU_TIME	Time between two internal updates 1 LSB: 0.97656 ms (LP_MODE = 1) 1 LSB: 1 ms (LP_MODE = 0) Mandatory condition: PI_IU_TIME > 2 and PI_IU_TIME > PI_TPW
31:16	NOT USED	Not used

SHR_PI_IU_NO (Pulse Interface Number of Auto Updates)

Figure 150:
SHR_PI_IU_NO Register

Addr: 0x0D7		SHR_PI_IU_NO (Pulse Interface Number of Auto Updates)
Bit	Bit Name	Bit Description
7:0	PI_IU_NO	Number of internal updates between two general updates Recommended condition for uniformed pulse generation: $(PI_IU_NO + 1) * PI_IU_TIME = TOF_RATE * MR_CT$
31:8	NOT USED	Not used

SHR_ZCD_LVL (Zero Cross Detection Level)

Figure 151:
SHR_ZCD_LVL Register

Addr: 0x0D9		SHR_ZCD_LVL (Zero Cross Detection Level)
Bit	Bit Name	Bit Description
9:0	ZCD_LVL	Zero Cross Detection Level 1 LSB: ~ 0.88 mV
31:10	NOT USED	Not used

SHR_FHL_U (First Hit Level Up)

Figure 152:
SHR_FHL_U Register

Addr: 0x0DA		SHR_FHL_U (Zero Cross Detection Level)
Bit	Bit Name	Bit Description
7:0	ZCD_FHL_U	First Hit Level Up 1 LSB ~ 0.88 mV, maximum 200 mV
31:8	NOT USED	Not used

SHR_FHL_D (First Hit Level Down)

Figure 153:
SHR_FHL_D Register

Addr: 0x0DB		SHR_FHL_D (First Hit Level Down)
Bit	Bit Name	Bit Description
7:0	ZCD_FHL_D	First Hit Level Down 1 LSB ~ 0.88 mV, maximum 200 mV
31:8	NOT USED	Not used

SHR_CPU_REQ (CPU Requests)

It is strongly recommended to write to this register via SPI interface only for debug purpose. In this case, Bit 17 of CR_TRIM3 has to be configured to 0.

Figure 154:
SHR_CPU_REQ Register

Addr: 0x0DC		SHR_CPU_REQ (CPU Requests)
Bit	Bit Name	Bit Description
0	CPU_REQ_BLD_EXC ⁽¹⁾	CPU Request Bootloader Execute 0: Bootloader subroutine in CPU not requested 1: Bootloader subroutine in CPU requested Triggered by task sequencer, automatically cleared when CPU stops

Addr: 0x0DC		SHR_CPU_REQ (CPU Requests)
Bit	Bit Name	Bit Description
1	CPU_REQ_CHKSUM⁽¹⁾	CPU Request Build Checksum 0: Build checksum in CPU not requested 1: Configuration compare in CPU requested Triggered by task sequencer, automatically cleared when CPU stops
2	CPU_REQ_PP_T⁽¹⁾	CPU Request Post Processing PB 0: Post processing PB in CPU not requested 1: Post processing PB in CPU requested Triggered by task sequencer, automatically cleared when CPU stops
3	CPU_REQ_PP_F⁽¹⁾	CPU Request Post Processing PA 0: Post processing PA in CPU not requested 1: Post processing PA in CPU requested Triggered by task sequencer, automatically cleared when CPU stops
4	CPU_REQ_GPH⁽¹⁾	CPU Request General Purpose Handling 0: General purpose handling in CPU not requested 1: General purpose handling in CPU requested Triggered by task sequencer, automatically cleared when CPU stops
5	CPU_REQ_FW_INIT⁽¹⁾	CPU Request Firmware Initialization 0: Firmware initialization not requested 1: Firmware initialization requested Triggered by bootloader sequence in ROM code, automatically cleared when CPU stops
6	NOT USED	Not used
7	NOT USED	Not used
8	CPU_SFLAG_HSO_ST_TO	0: High speed oscillator not settled yet (not in timeout condition) 1: High speed oscillator settled and stable (in timeout condition) Cleared by HSO_CLR in SHR_EXC Updated and valid only while CPU is running (synchronized by CPU clock)
9	CPU_COM_REQ	0: No communication request (RC_COM_REQ) set by SPI interface 1: Communication request (RC_COM_REQ) set by SPI interface Updated and valid only while CPU is running (synchronized by CPU clock)
10	CPU_LS_CORE_CLK	0: Low phase of LS_CORE_CLK 1: High phase of LS_CORE_CLK Updated and valid only while CPU is running (synchronized by CPU clock)
31:11	NOT USED	Not used

(1) BIT-T= Bits have to be cleared by the system program code or the user program code.

SHR_EXC (Executables)

Figure 155:
SHR_EXC Register

Addr: 0x0DD		SHR_EXC (Executables)
Bit	Bit Name	Bit Description
0	IF_CLR⁽¹⁾	Interrupt Flag Clear 0: No action 1: Clears flag SRR_IRQ_FLAG
1	EF_CLR⁽¹⁾	Error Flag Clear 0: No action 1: Clears flag SRR_ERR_FLAG
2	FES_CLR⁽¹⁾	Frontend Status Clear 0: No action 1: Clears flag SRR_FEP_STF
3	TSC_CLR⁽¹⁾	Time Stamp Clear 0: No action 1: Clears time stamp counter
4	TSV_UPD⁽¹⁾	Time Stamp Value Update 0: No action 1: Update time stamp value
5	PI_UPD⁽¹⁾	Pulse Interface Update 0: No action 1: Updates pulse interface
6	BG_REFRESH⁽¹⁾	Bandgap Refresh 0: No action 1: Bandgap refresh
7	MCT_CLR⁽¹⁾	Measure Cycle Timer Clear 0: No action 1: Clears measure cycle timer
8	RATE_CTR_CLR⁽¹⁾	Rate Counter Clear 0: No action 1: Clears all rate counters
9	ZCC_RNG_CLR⁽¹⁾	Zero Cross Calibration Range Clear 0: No action 1: Clears zero cross calibration range
10	FW_IRQ_S⁽¹⁾	FW Interrupt Request, synchronized with task sequencer 0: No action 1: Interrupt request triggered by FW and synchronized with task sequencer
11	NOT_USED	Not used

Addr: 0x0DD		SHR_EXC (Executables)
Bit	Bit Name	Bit Description
12	COM_REQ_CLR⁽¹⁾	Communication Request Clear 0: No action 1: Clears communication request via remote interface
13	GPR_REQ_CLR⁽¹⁾	General Purpose Request Clear 0: No action 1: Clears general purpose request via remote interface
14	GPH_TRIG⁽¹⁾	General Purpose Handling Trigger 0: No action 1: Triggers general purpose handling for CPU via task sequencer
15	I2C_CLR⁽¹⁾	I2C Clear 0: No action 1: Clears I2C interface controller
16	ACP_PAGE_TGL⁽¹⁾	Toggles ACP page (asynchronous communication)
17	HSG_REQ⁽¹⁾	Requests high speed oscillator
18	HSG_CLR⁽¹⁾	Clears high speed oscillator
31:19	NOT USED	Not used

(1) SCB= Self-clearing bit

SHR_RC (Remote Control)

The remote control register is implemented with radio buttons and self-clearing bits. It is used when operating in time conversion mode accessed by remote control. Radio buttons have the advantage in that single states of the register settings can be changed without knowing the complete state of the register. This saves a pre-reading of the register when operating in remote mode.

To change a dedicated bit write a 1 to this one and a 0 to all others.

Figure 156:
SHR_RC Register

Addr: 0x0DE		SHR_RC (Remote Control)
Bit	Bit Name	Bit Description
1:0	CFG_OK⁽¹⁾	UFC Configuration OK. Set by bootloader 00: No change of CFG_OK state (WO ⁽³⁾) 01: Not properly configured 10: Properly configured 11: No change of CFG_OK state (WO)

Addr: 0x0DE		SHR_RC (Remote Control)
Bit	Bit Name	Bit Description
3:2	HSC_DIV_STATE	State of HSC_DIV in CR_CPM[8] (Read Only) 01: HSC_DIV = 0 10: HSC_DIV = 1 00, 11: not possible
5:4	RC_FLAG2⁽¹⁾	User Definable Flag, can also be set by firmware. 00: No Change of RC_FLAG2 state (WO) 01: RC_FLAG2 not set 10: RC_FLAG2 set 11: No Change of RC_FLAG2 state (WO) This flag is used if flow firmware is applied. Please refer for appropriate firmware manual for detailed description.
7:6	NOT_USED	Mandatory to set: b01
9:8	HSO_MODE⁽¹⁾	High Speed Oscillator Mode 00: No change of HSO_MODE state (WO) 01: HSO controlled as configured 10: HSO always on 11: No change of HSO_MODE state (WO)
11:10	BG_MODE⁽¹⁾	Bandgap Mode 00: No change of BG_MODE state (WO) 01: Bandgap controlled as configured 10: Bandgap always on 11: No Change of BG_MODE state (WO)
13:12	RC_FLAG3⁽¹⁾	User Definable Flag, can also be set by firmware. 00: No Change of RC_FLAG3 state (WO) 01: RC_FLAG2 not set 10: RC_FLAG2 set 11: No Change of RC_FLAG3 state (WO)
14	SYS_RST⁽²⁾	System Reset 0: No action 1: Performs a system reset Execution needs to be enabled by RC_RLS_2
15	SYS_INIT⁽²⁾	System Initialization 0: No action 1: Performs a system init Execution needs to be enabled by RC_RLS_2
16	FW_STORE_ALL⁽²⁾	Stores Firmware Code & Firmware Data 0: No action 1: Requests storing of complete firmware code & data Execution needs to be enabled by RC_RLS_1
17	FW_STORE_LOCK⁽²⁾	Stores & Lock Firmware Program Code & Firmware Data 0: No action 1: Requests storing & locking of user firmware program code & data Execution needs to be enabled by RC_RLS_1

Addr: 0x0DE		SHR_RC (Remote Control)
Bit	Bit Name	Bit Description
18	FW_ERASE ⁽²⁾	Erases User Firmware Program Code & Firmware Data 0: No action 1: Requests erasing user firmware program code & data Execution needs to be enabled by RC_RLS_1
19	FWC_RECALL ⁽²⁾	Recalls Firmware Program Code 0: No action 1: Requests recalling of firmware program code from Flash to SRAM Execution needs to be enabled by RC_RLS_1
20	FWD_RECALL ⁽²⁾	Recalls Firmware Data 0: No action 1: Requests recalling of firmware data from Flash to SRAM Execution needs to be enabled by RC_RLS_1
21	FWC_STORE ⁽²⁾	Stores Firmware Program Code 0: No action 1: Requests storing of firmware program code from SRAM to Flash Execution needs to be enabled by RC_RLS_1
22	FWD_STORE ⁽²⁾	Stores Firmware Data (FWDU, user part only) 0: No action 1: Requests storing of user firmware data from SRAM to Flash Execution needs to be enabled by RC_RLS_1
31:23	NOT USED	Not used

- (1) RB = Radio button
- (2) SCB = Self-clearing bit
- (3) WO = Write only, RO = Read only

SHR_RC_RLS (Remote Control Release)

Figure 157:
SHR_RC_RLS Register

Addr: 0x0DF		SHR_RC_RLS (Remote Control Release)
Bit	Bit Name	Bit Description
31:0	RC_RLS	<p>Release codes for dedicated self clearing bits in SHR_RC: RC_RLS_1 = h50F5_B8CA: Releases bits [22:16] in SHR_RC RC_RLS_2 = hAF0A_4735: Releases bits [15:14] in SHR_RC</p> <p>Status of RC_RLS_1 can be checked in RC_RLS_1 in SRR_MSC_STF</p> <p>Automatically cleared after one transaction via bits [22:14]. Release code must be re-written for each transaction again.</p>

12.3.4 Status & Result Registers

The status registers contain all the flags indicating interrupt sources, error sources, updated data, GPIOs. In addition, they contain the measurement results for the high-speed clock calibration and for voltage measurement. The time stamp in hours, minutes and seconds is found there as well as I2C read data and firmware revision numbers.

SRR_IRQ_FLAG (Interrupt Flags)

Figure 158:
SRR_IRQ_FLAG Register

Addr: 0x0E0		SRR_IRQ_FLAG (Interrupt Flags)
Bit	Bit Name	Bit Description
0	TSQ_FNS	Task sequencer finished
1	FW_TRANS_FNS	Firmware transaction finished
2	BLD_FNS	Bootloader finished
3	CHKSUM_FNS	Checksum subroutine finished
4	FW_IRQ_S	Firmware interrupt request, synchronized with task sequencer
5	TSQ_TMO	Task sequencer timeout

Addr: 0x0E0		SRR_IRQ_FLAG (Interrupt Flags)
Bit	Bit Name	Bit Description
6	NOT_USED	Not used
7	ERR_FLAG	At least 1 error flag is set
31:8	NOT_USED	Not used

SRR_ERR_FLAG (Error Flags)

Figure 159:
SRR_ERR_FLAG Register

Addr: 0x0E1		SRR_ERR_FLAG (Error Flags)
Bit	Bit Name	Bit Description
0	EF_TDC_TMO	Error flag TDC timeout
1	EF_TOF_TMO	Error flag TOF timeout
2	EF_AM_TMO	Error flag amplitude measurement timeout
3	EF_TM_OC_ERR	Error flag temperature measurement open circuit
4	EF_TM_SC_ERR	Error flag temperature measurement short circuit
5	EF_ZCC_ERR	Error flag zero cross calibration
6	EF_LBD_ERR	Error flag low battery detect
7	EF_USM_SQC_TMO	Error flag ultrasonic sequence timeout
8	EF_TM_SQC_TMO	Error flag temperature sequence timeout
9	EF_TSQ_TMO	Error flag task sequencer timeout
10	EF_I2C_ACK_ERR	Error flag EEPROM acknowledge
11	EF_CHP_ERR	Error flag charge pump error
12	EF_NVM_FWCU_ERR	Error flag NVM error in FWCU area
13	EF_NVM_FWDU_ERR	Error flag NVM error in FWDU area
14	EF_NVM_FWA_ERR	Error flag NVM error in any FWA area or set by FW (any bit set of SHR_GPO[19:14])
15	EF_CPU_ERR	CPU error (invalid program counter or PC stack overflow)

SRR_FEP_STF (Frontend Processing Status Flags)

 Figure 160:
 SRR_FEP_STF Register

Addr: 0x0E2		SRR_FEP_STF (Frontend Processing Status Flags)
Bit	Bit Name	Bit Description
0	HCC_UPD	High-Speed Clock Calibration Update 0: No update in SRR_HCC_VAL 1: Updated value in SRR_HCC_VAL
1	TM_UPD	Temperature Measurement Update 0: No update in frontend buffer 1: Updated value in temperature measurement related frontend buffer
2	NOT USED	Not used
3	TPM_ST	Temperature Subtask 0: Temperature measurement with 1 subtask 1: Temperature measurement with 2 subtasks
4	US_U_UPD	Ultrasonic Update in Up direction 0: No update in frontend buffer 1: Updated value in ultrasonic up area of frontend buffer
5	US_D_UPD	Ultrasonic Update in Down direction 0: No update in frontend buffer 1: Updated value in ultrasonic down area of frontend buffer
6	US_TOF_UPD	Ultrasonic Update for TOF measurement 0: No update in frontend buffer 1: Updated value in TOF area of frontend buffer
7	US_TOF_EDGE	TOF Measurement Edge 0: Positive edge 1: Negative edge
8	US_AM_UPD	Update for Amplitude measurement 0: No update in frontend buffer 1: Updated value in AM area of frontend buffer
9	US_AMC_UPD	Update for Amplitude Calibration Measurement 0: No update in frontend buffer 1: Updated value in AMC area of frontend buffer
31:10	NOT USED	Not used

SRR_GPI (General Purpose In)
Figure 161:
SRR_GPI Register

Addr: 0x0E3		SRR_GPI (General Purpose In)
Bit	Bit Name	Bit Description
5:0	GPI	General Purpose Input, default 0x3F
7:6	NOT_USED	Not used
8	LP_MODE	Low Power Mode, default 1
31:8	NOT USED	Not used

SRR_HCC_VAL (High-Speed Clock Calibration Value)
Figure 162:
SRR_Register

Addr: 0x0E4		SRR_HCC_VAL (High-Speed Clock Calibration Value)
Bit	Bit Name	Bit Description
25:0	HCC_VAL	Clock calibration value, used for the correction factor. Eight times the real reference frequency at the TDC $8 \times f_{HSO} / \text{Hz}$
31:26	NOT USED	Not used

SRR_VCC_VAL (VCC Value)
Figure 163:
SRR_VCC_VAL Register

Addr: 0x0E5		SRR_VCC_VAL (VCC Value)
Bit	Bit Name	Bit Description
5:0	VCC_VAL	Measured value of VCC voltage 1 LSB: 25 mV, default 0x2F VCC_VAL = 0: 2.15 V VCC_VAL = 63: 3.725 V
31:6	NOT USED	Not used

SRR_TS_HOUR (Time Stamp Hours)

Figure 164:
SRR_TS_HOUR Register

Addr: 0x0E6		SRR_TS_HOUR (Time Stamp Hours)
Bit	Bit Name	Bit Description
17:0	TS_HOUR	Timestamp Hours 1 LSB: 1h
31:18	NOT USED	Not used

SRR_TS_MIN_SEC (Time Stamp Minutes & Seconds)

Figure 165:
SRR_TS_MIN_SEC Register

Addr: 0x0E7		SRR_TS_MIN_SEC (Time Stamp Minutes & Seconds)
Bit	Bit Name	Bit Description
7:0	TS_SEC	Timestamp Minutes 1 LSB: 1min Range (0 to 59)
15:8	TS_MIN	TS_SEC: Timestamp Seconds 1 LSB: 1sec Range (0 to 59)
31:16	NOT USED	Not used

SRR_TS_TIME (Task Sequencer time)

Figure 166:
SRR_TS_TIME Register

Addr: 0x0E9		SRR_TS_TIME (Task Sequencer time)
Bit	Bit Name	Bit Description
11:0	TS_TIME	Consumed time within task sequencer cycle Current time = TS_TIME * 1953,125 μs (LP_MODE = 1), = TS_TIME * 2 ms (LP_MODE = 0)
31:12	NOT USED	Not used

SRR_MSC_STF (Miscellaneous Status Flags)

 Figure 167:
 SRR_MSC_STF Register

Addr: 0x0EA		SRR_MSC_STF (Miscellaneous Status Flags)
Bit	Bit Name	Bit Description
0	RC_RLS	Release of remote communication self clearing bits
1	STUP_TO	Start-up timeout
2	FW_UNLOCKED	FW unlocked
3	SI_BUSY	Serial remote interface busy
4	COM_REQ	Communication request by remote interface
5	GPR_REQ	General purpose request by remote interface
6	GPT_REQ	General purpose request by GP timer
7	GPH_REQ	General purpose request by GPH_TRIG in SHR_EXC
8	MCT_RLS	Measure cycle timer release
9	NVM_RDY	NVRAM ready
10	NVR_REQ	Request by NVRAM recall timer
11	NOT USED	Not used
12	HSO_ST_TO	High speed oscillator settling timeout
13	I2C_ACK	2-wire interface acknowledge
14	I2C_BSY	2-wire interface busy
15	WD_DIS	Watchdog disabled
16	RC_RLS_2	Release 2 of remote communication self clearing bits
31:17	NOT USED	Not used

SRR_I2C_RD (I2C Read Data)

 Figure 168:
 SRR_RD Register

Addr: 0x0EB		SRR_I2C_RD (I2C Read Data)
Bit	Bit Name	Bit Description
7:0	I2C_DATA	2-wire interface read data Read data from external device connected via 2-wire interface
31:8	NOT USED	Not used

SRR_FWU_RNG (FW User Range)

Figure 169:
 SRR_FWU_RNG Register

Addr: 0x0EC		SRR_FWU_RNG (FW User Range)
Bit	Bit Name	Bit Description
11:0	FWU_RNG	FW User Range Defines end address FW user code. End address = FWU_RNG - 1
31:12	NOT USED	Not used

SRR_FWU_REV (FW User Revision)

Figure 170:
 SRR_FWU_REV Register

Addr: 0x0ED		SRR_FWU_REV (FW User Revision)
Bit	Bit Name	Bit Description
31:0	FWU_REV	FW User Revision First 4 bytes in FW user code range, reserved for revision.

SRR_FWA_REV (FW SCIOSENSE Revision)

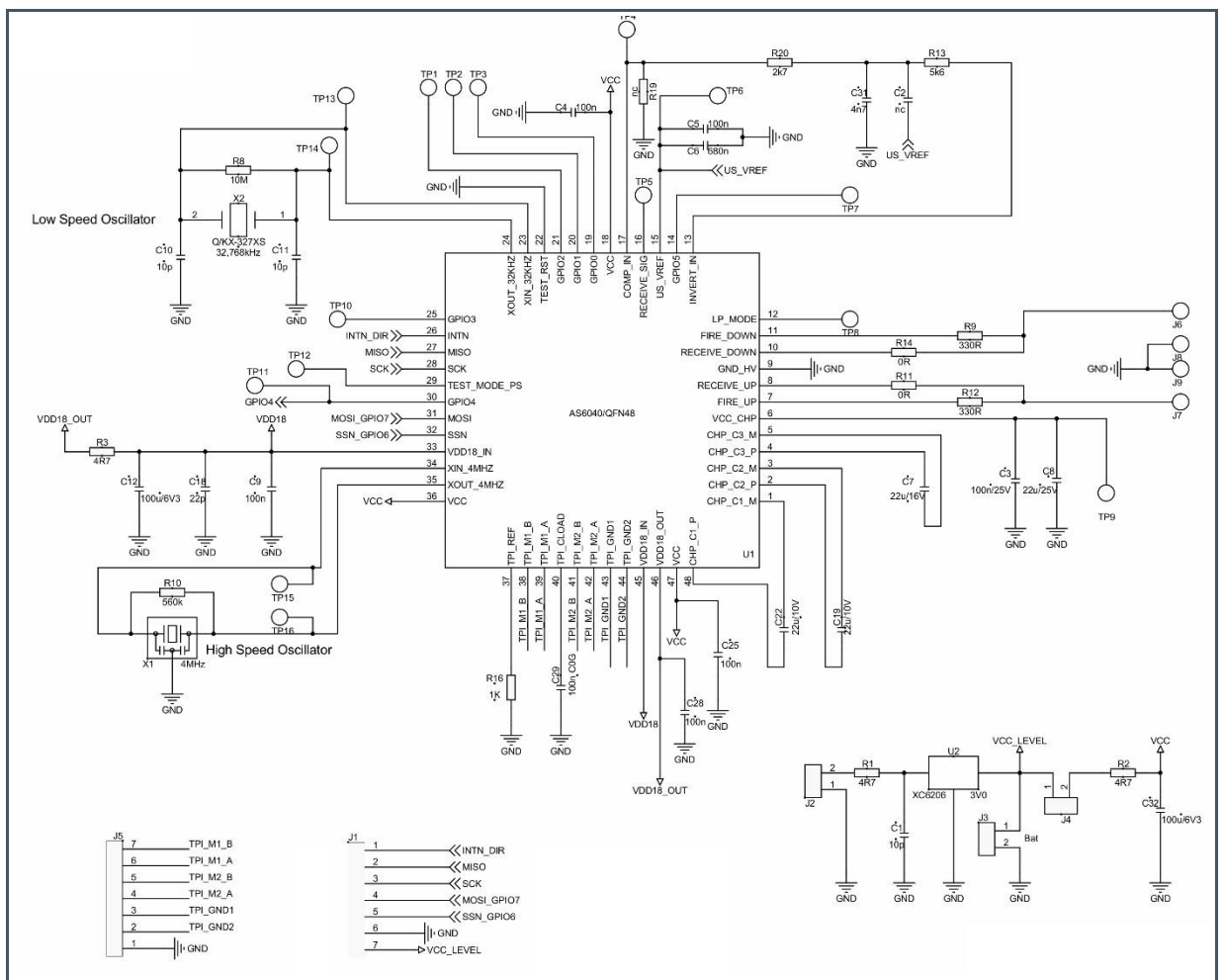
Figure 171:
 SRR_FWA_REV Register

Addr: 0x0EE		SRR_FWA_REV (FW SCIOSENSE Revision)
Bit	Bit Name	Bit Description
31:0	FWA_REV	FW SciSense Revision

13 Application Information

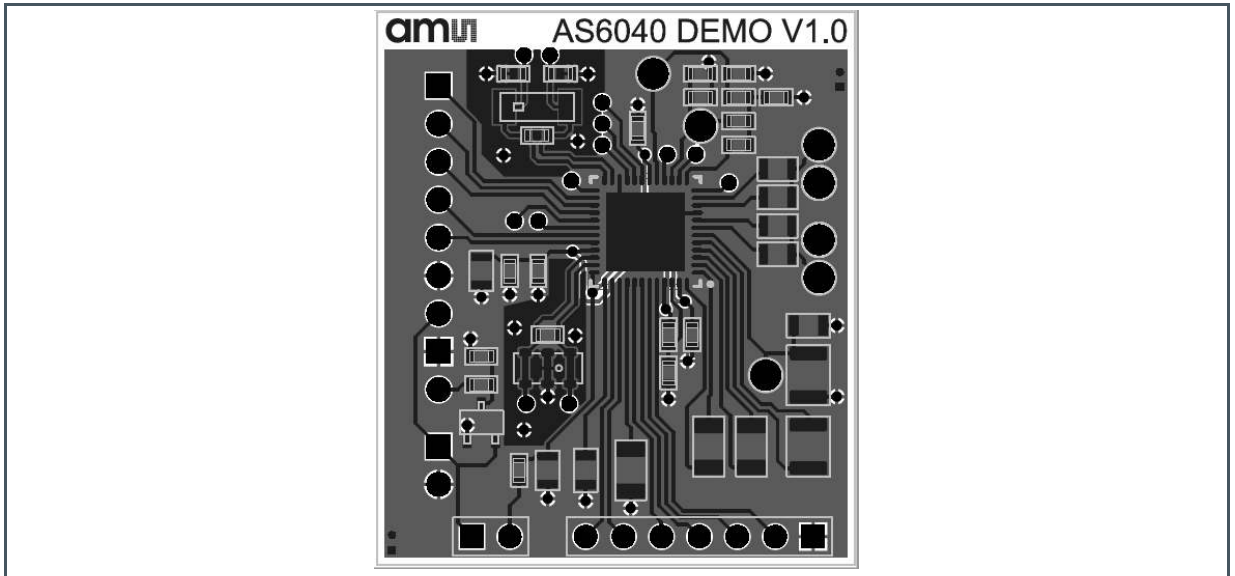
13.1 Schematic

Figure 172:
AS6040 Schematic



13.2 Layout

Figure 173:
Demo Board Layout (200%)



13.3 External Components

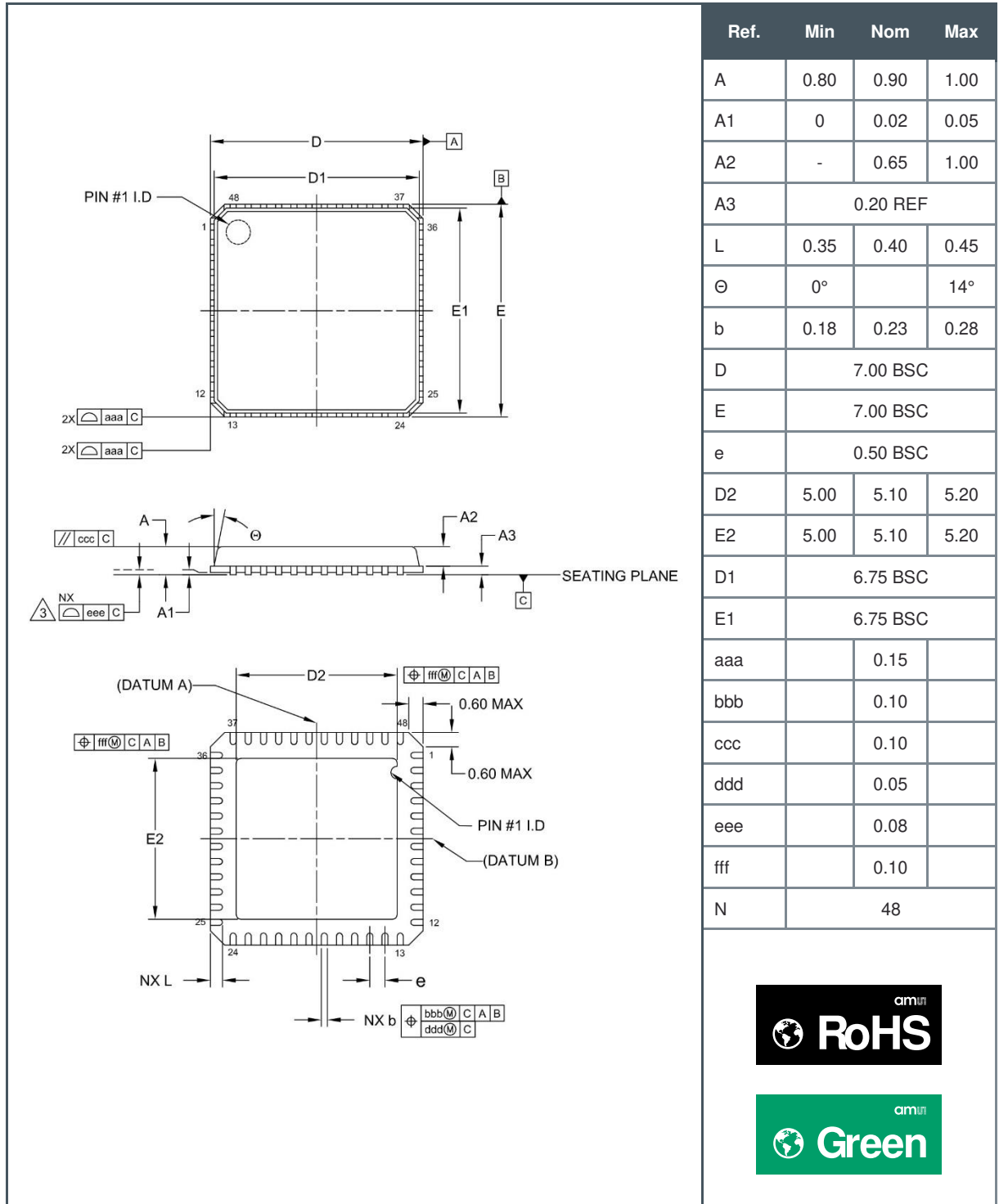
Figure 174:
AS6040 Demo Board BOM

Item	Quantity	Designator	Value	Part description
1	1			PCB AS6040, 2 Layer, Width 150 μ , 35 μ Copper, Thickness 1.55mm, 32x37mm
2	3	C1, C10, C11	10p	CHIP-CAPACITOR 0603
3	1	C18	100p	CHIP-CAPACITOR 0603
4	1	C31	10n	CHIP-CAPACITOR 0603 X7R
5	5	C4, C5, C9, C25, C28	100n	CHIP-CAPACITOR 0603
6	1	C6	680n	CHIP-CAPACITOR 0603
7	1	C3	100n/25V	CHIP-CAPACITOR 0805
8	2	C12, C32	100u/6V3	CHIP-CAPACITOR 0805
9	1	C29	100n C0G	CHIP-CAPACITOR 1206
10	2	C19, C22	1u/10V	CHIP-CAPACITOR 1206 X7R

Item	Quantity	Designator	Value	Part description
11	1	C7	1u/16V	CHIP-CAPACITOR 1210 X7R
12	1	C8	10u/20V	Tantal BF. B or X7R
13	3	R1, R2, R3	4R7	CHIP-RESISTOR 0603
14	1	R20	2k2	CHIP-RESISTOR 0603
15	1	R13	5k6	CHIP-RESISTOR 0603
16	1	R10	560k	CHIP-RESISTOR 0603
17	1	R8	10M	CHIP-RESISTOR 0603
18	2	R11, R14	0R	CHIP-RESISTOR 0805
19	2	R9, R12	680R	CHIP-RESISTOR 0805
20	1	R16	1K	CHIP-RESISTOR 0805
21	1	U1		AS6040
22	1	U2	3,0V	XC6206
23	1	X1	4MHz	CERAMIC RESONATOR

14 Package Drawings & Markings

Figure 175:
QFN48 Package Outline Drawing



- (1) All dimensions are in millimeters. Angles in degrees.
- (2) Dimensioning and tolerancing conform to ASME Y14.5M-1994.
- (3) N is the total number of terminals.
- (4) This package contains no lead (Pb).
- (5) This drawing is subject to change without notice.

Figure 176:
QFN48 Package Marking/Code

<p>AS6040 -BQF YYWWXZZ</p>	<p>BQF Series Product, -40°C to 85°C, QFN YY Manufacturing Year WW Manufacturing Week X Assembly Plant Identifier ZZ Assembly Traceability Code @ Sublot Identifier xxxxxxx Tracecode</p>
------------------------------------	-------------------------------------------------------------------------------------------------------------------------------------------------------------------------------------------------------------------

15 Appendix

15.1 Notational Conventions

Throughout the AS6040 documentation, the following style formats are used to support efficient reading and understanding of the documents:

- Hexadecimal numbers are denoted by a leading 0x, e.g. 0xAF = 175 as decimal number. Decimal numbers are given as usual.
- Binary numbers are denoted by a leading 0b, e.g. 0b1101 = 13. The length of a binary number can be given in bit (b) or Byte (B), and the four bytes of a 32b word are denoted B0, B1, B2 and B3 where B0 is the lowest and B3 the highest byte.
- Abbreviations and expressions which have a special or uncommon meaning within the context of AS6040 application are listed and shortly explained in the list of abbreviations, see following page. They are written in plain text. Whenever the meaning of an abbreviation or expression is unclear, please refer to the glossary at the end of this document.
- **Variable names** for hard coded registers and flags are in bold. Meaning and location of these variables is explained in the datasheet (see registers CR, SRR and SHR).
- Variable names which represent memory or code addresses are in grey. Many of these addresses have a fixed value inside the ROM code, others may be freely defined by software. Their meaning is explained in the firmware and ROM code description, and their physical addresses can be found in the header files. These variable names are defined by the header files and thus known to the assembler as soon as the header files are included in the assembler source code. Note that different variable names may have the same address, especially temporary variables.
- *Physical variables* are in italics (real times, lengths, flows or temperatures).

15.2 Abbreviations

Figure 177:
Abbreviations

Short	Description
AM	Amplitude measurement
CD	Configuration Data
CHP	Charge Pump
CPU	Central Processing Unit
CR	Configuration Register
CRC	Cyclic Redundancy Check

Short	Description
DIFTOF, DIFTOF_ALL	Difference of up and down → TOF
FEP	Frontend Processing
FDB	Frontend data buffer
FHL	First hit level (physical value V_{FHL})
FW	Firmware, embedded software stored on the chip
FWC	Firmware Code
FWD	Firmware Data
FWD-RAM	Firmware Data, volatile memory part
GPIO	General purpose input/output
Hit	Stands for a detected wave period
HSO	High speed oscillator
INIT	Initialization process of → CPU or → FEP
IO	Input/output
I2C	Inter-Integrated Circuit bus
LSO	Low speed oscillator
MRG	Measurement Rate Generator
NVRAM, NVM	Programmable Non-Volatile Memory
PGA	Programmable Gain Amplifier
PI	Pulse interface
PP	Post Processing
PWR	Pulse width ratio
R	RAM address pointer of the CPU, can also stand for the addressed register
RAA	Random Access Area
RAM	Random Access Memory
RI	Remote Interface
ROM	Read Only Memory
ROM code	Hard coded routines in ROM
SHR	Special Handling Register
SPI	Serial Peripheral Interface
SRAM	Static RAM
SRR	Status & Result Register
SUMTOF	Sum of up and down TOF
Task	Process, job
TDC	Time-to-digital-converter

Short	Description
TOF, TOF_ALL	Time of Flight
TS	Task Sequencer
TM	Temperature measurement
USM	Ultrasonic measurement
V _{ref}	Reference voltage
X,Y,Z	Internal registers of the CPU
ZCD	Zero cross detection, physical level V _{ZCD}

15.3 Glossary

Figure 178:
Glossary

Term	Meaning	AS6040 Interpretation
ACP	Asynchronous communication port	Register to hold date for asynchronous communication with an external microcontroller. Content needs to be filled by firmware.
AM	Amplitude measurement	This is a peak measurement of the received signal amplitude, which allows to pick the overall signal maximum (to control the signal level).
Backup	Permanent storage of a data copy	AS6040 is prepared for an external data backup, foreseen over the built-in I2C-bus, which permits write and read with an external EEPROM. In principle, a user may also utilize the → GPIOs for his own interface implementation for external backup.
Bootloader	System routine that initializes CPU operation	Typically after a system reset, first time when the →TS calls the → CPU, the bootloader routine is called. If the → firmware is released, the bootloader loads the chip configuration from FWD into CR and does other hardware initializations like reading firmware revision numbers and calculation of checksums.
Burst	Analog signal containing a number of → wave periods	For a flow measurement, a → fire burst, that means a fixed number of → wave periods of the measurement frequency, is send over a →transducer into the flow medium. After some travel time (see →TOF), a receive burst appears at the opposed transducer, which is detected as a number of →hits. Note that the peak amplitude of the receive burst must not exceed → Vref to avoid negative voltages.
Calibration	Parameter adjustment to compensate variations	In AS6040, different calibration processes are implemented and needed for high quality measurements: → Firmware calibrations: Flow and temperature calibration, but also the → FHL adjustment are under full control of the firmware. Half-automated calibrations: → AM calibration and → HSO calibration are based on dedicated measurements, initiated by the → TS on demand. The actual calibrations need further evaluation by the firmware. Fully hard-coded calibrations: these calibrations need no interaction from firmware. One example is → ZCD level calibration, which only needs to be initiated by the → TS frequently. Another example is → TDC calibration which happens automatically before each measurement.
CD	Configuration Data	16 x (up to) 32b words of → flash memory for configuration of the chip, address range 0x16C - 0x17A (→ NVRAM). Is copied to → CR for actual usage.

Term	Meaning	AS6040 Interpretation
Comparator	Device that compares two input signals	See → ZCD-comparator
CPU	Central Processing Unit	32b processor (Harvard architecture type) for general data processing. The CPU has a fixed instruction set and acts directly on its three input- and result-registers → X, Y and Z as well as on addressed RAM. The fourth register of the CPU is the → RAM address pointer R. Instructions for the CPU are read as → FWC or → ROM code at an address given by the → program counter.
CR	Configuration Register	The chip actually uses for its hardware configuration a copy of the → CD into the CR address range 0x0C0 - 0x0CF (see → direct mapped registers).
C0G		Material of a ceramic capacitor with a very low temperature drift of capacity
DIFTOF, DIFTOF_ALL	Difference of up and down → TOF	The difference between up and down → TOF is the actual measure for flow speed. (see also → SUMTOF). DIFTOF_ALL is the DIFTOF using → TOF_ALL results, averaged over all TOF → hits
Direct mapped registers	Registers with direct hardware access	These register cells are not part of some fixed memory block, they rather have individual data access. This makes them suitable for hardware control. See → SHR, → SRR, → CR and → DR. Labels have the according prefix.
FEP	Frontend Processing	Task of the → TS where frontend measurements are performed
FDB	Frontend data buffer	Part of the → RAM where the → frontend temporarily stores its latest measurement results (→ RAA address range from 0x80 up to maximally 0x9B)
FHL, V _{FHL}	First hit level	Voltage level similar to the → ZCD level, but shifted away from Zero level, for save detection of a first → hit. The FHL determines, which of the → wave periods of the receive → burst is detected as first hit. It thus has a strong influence on → TOF and must be well controlled, in order to achieve comparable TOF measurements.
Fire, fire burst, fire buffer	Send signal → burst	The measurement signal on sending side is called fire burst, its output amplifier correspondingly fire buffer.
Firmware	Firmware	Firmware is the combination of → Firmware Code and → Firmware Data. A part of it is provided by SciSense with the possibility of extended firmware programming by customer.”
Flow meter mode	Operation mode of AS6040 as full flow meter system	In flow meter mode, the AS6040 also performs further evaluation of → TOF results, to calculate physical results like flow and temperature. To do this, it uses a → firmware running on its internal CPU. See for comparison → time conversion mode
Frontend	Main measurement circuit block	This part of the AS6040 chip is the main measurement device, containing the analog measurement interface (including the → TDC). The frontend provides measurement results which are stored in the → FDB.
FWC	Firmware Code	Firmware code denotes the complete content of the → NVRAM's 4kB section (address range 0x0000 to 0x 0FFF). The difference to the term → firmware is on the one hand that firmware code means the program in the file. On the other hand, a particular firmware code may provide just a part of the complete FWC. FWC is addressed by the CPU's program counter, it is not available for direct read processes like RAM. Firmware code by user is limited to the address range 32 to FWU_RNG.
FWD	Firmware Data	The firmware configuration and calibration data, to be written to the → FWD-RAM
FWD-RAM	Firmware Data memory	128 x 32b words of → NVRAM (built as volatile → SRAM and non-volatile flash memory). Main purpose is calibration and configuration
GPIO	General purpose input/output	AS6040 has up to 6 GPIO pins which can be configured by the user. Some of them can be configured as → PI or → I2C-interface.

Term	Meaning	AS6040 Interpretation
Hit	Stands for a detected wave period	<p>The receive → burst is typically a signal which starts with → wave periods of the measurement frequency at increasing signal levels. While the first of these wave periods are too close to noise for a reliable detection, later signal wave periods with high level can be detected safely by the → ZCD-comparator. The comparator converts the analog input signal into a digital signal, which is a sequence of hits. To detect the first hit at an increased signal level, away from noise, the input signal is compared to the → FHL. After the first hit, the level for comparison is immediately reduced to the → ZCD level, such that all later hits are detected at zero crossing (note that the ZCD level is defined to zero with respect to the receive signal, it is actually close to → Vref or another user-defined level).</p> <p>Different hits are denoted according to their usage:</p> <ul style="list-style-type: none"> • Hit (in general) stands for any detected → wave period. • First hit is actually the first hit in a → TOF measurement (not the first wave period!) • TOF hits means all hits which are evaluated for → TOF measurements. Note that typically the first hit is not a TOF hit. • Start hit is the initial TOF hit. This is typically not the first hit, but (according to configuration) some well-defined later hit. Minimum the 3rd hit has to set as Start hit. • Last TOF hit. It is also defined by configuration and should not be too close to the end of the receive → burst. • Ignored hits are all hits which are not evaluated for the TOF measurement: All hits between first hit and start hit, as well any hit between TOF hits or after the stop hit.
HSO	High speed oscillator	The 4 or 8 MHz oscillator of the AS6040. In usual operation only switched on when needed, to reduce energy consumption. This is the time base for → TDC measurements. The HSO is typically less accurate than the → LSO. It should be frequently → calibrated against the LSO to obtain the desired absolute accuracy of the → TDC.
INIT	Initialization process of → CPU or → FEP	In AS6040 terminology, INIT processes don't reset registers or digital I/Os, while → reset does at least one of it. Several different INIT processes are implemented, see chapter "Reset hierarchy" for details.
IO	Input/output	Connections to the outside world for input or output
I2C	Inter-integrated circuit bus	Standard serial bus for communication with external chips.
LSO	Low speed oscillator	The 32768 Hz crystal oscillator of the AS6040. This oscillator controls the main timing functions (→ MRG and → TS, real time clock).
MRG	Measurement rate generator	The measurement rate generator controls the cyclic → tasks of AS6040 by setting task requests in a rate defined by configuration (→ CR). When the MRG is activated, it periodically triggers the → TS for initiating the actual → tasks.
NVRAM, NVM	Programmable Non-Volatile Memory	AS6040 contains two sections of programmable non-volatile memory: One section of 4kB → FWC memory, and another of → FWD-RAM (FWD1: → RAM addresses 0x100 - 0x11F and FWD2: RAM addresses 0x120 - 0x17F), in total 128 x 32b words. It is organized as a volatile SRAM part which is directly accessed from outside, and a non-volatile flash memory part.
PI	Pulse interface	Standard 2-wire interface for flow output of a water meter. Typically outputs one pulse per some fixed water volume (e.g. one pulse per 0.1 l), while the other wire signals the flow direction. Permits stand-alone operation and is fully compatible to mechanical water meters.
PP	Post Processing	Processing activities of the → CPU, typically after frontend processing (e.g. a measurement), initiated by →TS. Can be split for post processing related to a flow measurement and to a temperature measurement
Program code	Program	Program Code is the combination of → Firmware Code and → ROM Code. Program Code is addressed by CPU's → program counter."

Term	Meaning	AS6040 Interpretation
Program counter	Pointer to the current code address of the → CPU	The program counter addresses the currently evaluated → FWC or → ROM-code cell during → CPU operation. The program counter always starts at 0xF000, when any CPU action is requested.
PWR	Pulse width ratio	Width of the pulse the first → hit, related to the pulse width at the start hit. This width indicates the position of the → FHL relative to the level of the detected → wave period and thus gives some information on detection safety (small value means FHL is close to the peak amplitude and the desired wave period may be missed due to noise; large value indicates the danger that an earlier wave period may reach FHL level and trigger the first hit before the desired wave period).
R	RAM address pointer of the CPU	The → CPU acts on the data of the → X-,Y- and Z-register and on one single RAM cell. The pointer R defines the address of the current RAM cell.
RAA	Random Access Area	Address range from 0x000 to 0x1FF covering the → RAM addresses. Memory cells within this address range can all be read, most of them can also be written (except → SRR and → DR). The RAA covers memory cells of different technology: → RAM (including → FDB), → FWD-RAM (including → CD), → direct mapped registers (→ SHR, → SRR, → CR). Holds also the asynchronous communication prot registers (→ACP).
RAM	Random Access Memory	176 x 32b words of volatile memory, used by → FDB and → Firmware. Address range 0x000 to 0x0AF
RAM address	Address of a cell in the RAA range	A RAM address is used by the firmware or over → RI to point to a memory cell for data storage or retrieval. Note that RAM addresses cover not only actual RAM, but all cells in the RAA range. Address range from 0x000 to 0x1FF
Register	Memory cell for dedicated data storage	Memory cells are typically called register when they contain flags or configuration bits, or when they have a single dedicated purpose (see → CPU, → CR, → SHR and → SRR).
Reset	Reset of the chip	AS6040 has different processes and commands that can call resets and initializations at different levels. Some of them refresh → CR or GPIO state, others just (re-) initialize CPU or frontend. The latter are rather denoted → INIT. See chapter “Reset hierarchy” for details.
RI	Remote Interface	Interface for communication with a remote controller (see → SPI)
ROM	Read Only Memory	4kB of fixed memory, contains hard coded routines for general purpose and parts of SciSense → program (ROM code). Address range 0xF000 – 0xFFFF. The ROM code is addressed by the CPU's program counter, it is not available for direct read processes like RAM.
ROM code	Hard coded routines in ROM	See → ROM.
SCL	Serial Clock	Serial clock of I2C interface
SDA	Serial Data	Serial data of I2C interface
SHR	Special Handling Register	Registers that directly control chip operation. The data & flags of special handling registers have a dynamic character. They are typically updated by post processing, but some of them have to be initially configured before measurement starts.
SPI	Serial Peripheral Interface	Standard interface for communication of the AS6040 with an external master controller
SRAM	Static RAM	AS6040 does not use any dynamic RAM, in fact all RAM in AS6040 is static RAM. However, the term “SRAM” is in particular used for the RAM-part of the → NVRAM.
SRR	Status & Result Register	The SRR-registers describe the current state of the chip. They are set by the chip hardware and contain error and other condition flags, timing information and so on.

Term	Meaning	AS6040 Interpretation
SUMTOF, SUMTOF_ALL	Sum of up and down TOF	The sum of up and down → TOF is a measure for the speed of sound in the medium, which can be used for temperature calculation. SUMTOF_ALL is the SUMTOF using → TOF_ALL results, averaged over all TOF → hits.
Supervisor	Functional block of AS6040 that controls voltage and timing	The supervisor of AS6040 controls chip operation and timing through the measurement rate generator (→ MRG) and the task sequencer (→TS). It also covers voltage control and adjustment functions as well as the main oscillators → LSO and >HSO
Task	Process, job	The term task is used for a process which aims at fulfilling some fixed purpose, separate from other tasks with different goals. Typical tasks in AS6040 are → TOF measurement, temperature measurement (→ TM), post processing (→ PP), remote communication and voltage measurement.
Time conversion mode	Remotely controlled operation of AS6040	In time conversion mode, the AS6040 mainly acts as a → TOF measurement system. It may operate self-controlled or remotely controlled, but it does no further result evaluation. This operation mode is similar to the typical usage of the SciSense chips GP21 and GP22. For comparison see → Flow meter mode
TDC	Time-to-digital-converter	The core measurement device of AS6040. Measures times between a start- and a stop-signal at high accuracy and high resolution. The internal fast time base of the TDC is automatically → calibrated against the → HSO before each measurement.
TOF, TOF_ALL	Time of Flight	Basic measurement result for an ultrasonic flow meter: The time between send and receive → burst (with some offset, depending on → hit detection). Measurements of TOF are done in flow direction (down TOF) and in the opposite direction (up TOF). AS6040 also provides the sum of all TOF → hits in the values TOF_ALL.
TS	Task Sequencer	The task sequencer arranges and initiates the → tasks which are requested by the → MRG in one measurement cycle or which are initiated remotely.
TM	Temperature measurement	This task means a temperature measurement using sensors, in contrast to temperatures which are calculated results from a TOF measurement (see → SUMTOF)
Transducer	Electromechanical conversion device	Transducers for flow measurements are piezoelectric devices that convert an electrical signal into ultrasound and reverse. They are usually matched to the flow medium (e.g. water). AS6040 can connect directly to the send and receive transducer.
USM	Ultrasonic measurement	The principle of an ultrasonic flow meter is to measure → TOFs of ultrasound in flow direction and against it, and to calculate the flow from the result. See also → transducer. In this manual this includes also the amplitude measurement.
V _{ref}	Reference voltage	The analog interface of AS6040 refers to V _{ref} , a nominal voltage for → VZCD of typically 0.7V. This makes it possible to receive a DC-free AC-signal with a single supply voltage. Up to the level of V _{ref} , negative swings of the receive signal are avoided.
V _{ZCD}	Zero cross detection level	This voltage level represents the virtual zero line for the receive → burst. It is normally close to → V _{ref} , just differing by the offset of the → ZCD-comparator. Needs frequent → calibration to compensate the slowly changing offset. Optionally, this voltage can be configured differently in SHR_ZCD... through the firmware.
Watchdog, watchdog clear	Reset timer for chip re-initialization	The watchdog of AS6040 → resets the chip (including → CR refresh) if no watchdog clear (→ firmware command clrdwt) within 15.2 s (typically) is executed. This is a safety function to interrupt hang-up situations. It can be disabled for remote control, when no firmware clears the watchdog automatically.

Term	Meaning	AS6040 Interpretation
Wave period	One period of the signal wave	A period of typically 1us length for a 1 MHz measurement frequency. This may be a digital pulse, for example when sending, or a more sinusoidal wave when receiving. Fire or receive → bursts are sequences of wave periods.
X-, Y- and Z-register	Input- and result registers of the CPU	The → CPU acts on these → registers for data input and result output.
ZCD	Zero cross detection	All → hits following the first hit are detected when the received signal crosses a voltage level VZCD, defined as zero with respect to the receive → burst. In contrast, the first hit is detected when the received signal crosses the different voltage level VFHL(→ FHL).
ZCD-Comparator	→ comparator for → hit detection	The ZCD-comparator in AS6040 detects → hits in the received → burst signal by comparing the received signal level to a given reference voltage (see also → FHL, → ZCD and → hit).

15.4 CPU Commands in Detail

The following description lists every instruction which is recognized by the assembler. Most of them directly correspond to an op-code, which is a sequence of bytes in an executable code for AS6040, as it is produced by the assembler. The tabular lines have the following meaning and usage:

Figure 179:
Structure

Command	Short Description
Syntax:	Command name, followed by parameters p1, p2, p3...
Parameters:	Description of parameters. They may be registers REG [x, y, z, r] or numbers in a given range.
Calculus:	Mathematical operation in Verilog notation (uncommon syntax is explained in case). This line also defines the result output, which is most of the time simply p1. Note that this means that the content of p1 is changed by the operation.
Flags affected:	Some or all of the flags C (carry), Z (Zero), S (sign) and O (Overflow) are affected by the described operation, according to the result
Bytes:	Length of the complete op-code, including parameter designation
Cycles:	Number of calculation cycles needed by the CPU
Description:	Literal description and remarks on the operation
Category:	One of the categories in the overview

There are some more expressions used in the list:

- PC: The program counter; this is actually the code address where the next CPU op-code is read.
- JUMPLABEL: Label for a jump destination, which becomes an actual code address after code assembly. In assembler code, this is usually a placeholder for a position within the code, it may also be a fixed number (not recommended). To define a jump destination by a jump label in assembler code, write the label followed by a colon.
- LSB: Least significant bit, the rightmost bit of a binary number
- MSB: Most significant bit, the leftmost bit of a binary number. In the common two's complement representation, the MSB is used to indicate the sign of a number; MSB = 1 defines a negative number.
- ">>" or "<<": right shift and left shift, e.g. "1<<p2": a 1 shifted left by p2 bit positions

In the following, there is a list of all CPU instructions in alphabetic order.

abs	Absolute value of register
Syntax:	abs p1
Parameters:	p1 = REG [x, y, z, r]
Calculus:	$p1 = p1 $
Flags affected:	C O Z S
Bytes:	2
Cycles:	2
Description:	Absolute value of register
Category:	Simple arithmetic

add	Addition
Syntax:	add p1, p2
Parameters:	p1 = REG [x, y, z, r] p2 = REG [x, y, z, r] or 32-Bit number
Calculus:	$p1 = p1 + p2$
Flags affected:	C O Z S
Bytes:	1 (p2 = REG) 5 (p2 = number)
Cycles:	1 (p2 = REG) 5 (p2 = number)
Description:	Addition of two registers or addition of a constant to a register
Category:	Simple arithmetic

and	Logic AND
Syntax:	and p1, p2
Parameters:	p1 = REG [x, y, z, r] p2 = REG [x, y, z, r] or 32-Bit number
Calculus:	$p1 = p1 \text{ AND } p2$ <i>in the resulting bit sequence in p1, a bit is 1 when the corresponding bits of P1 and P2 are both equal to 1</i>
Flags affected:	Z S

and	Logic AND
Bytes:	2 (p2 = REG) 6 (p2 = number)
Cycles:	3 (p2 = REG) 7 (p2 = number)
Description:	Bitwise logic AND of 2 registers or Logic AND of register and constant
Category:	Logic

bitclr	Clear single bit
Syntax:	bitclr p1, p2
Parameters:	p1 = REG [x, y, z, r] p2 = number 0 to 31
Calculus:	p1 = p1 and not (1<<p2) <i>"1<<p2": a "1" shifted left by p2 bit positions</i>
Flags affected:	Z S
Bytes:	2
Cycles:	2
Description:	Clear the single bit on position p2 in the destination register p1, other bits remain unchanged Note: Don't use on register R in combination with bytesel ≠ 0
Category:	Bitwise

bitinv	Invert single bit
Syntax:	bitinv p1, p2
Parameters:	p1 = REG [x, y, z, r] p2 = number 0 to 31
Calculus:	p1 = p1 XOR (1<<p2) <i>"1<<p2": a "1" shifted left by p2 bit positions</i>
Flags affected:	Z S
Bytes:	2
Cycles:	2
Description:	Invert the single bit on position 1<<p2 in the destination register p1, other bits remain unchanged Note: Don't use on register R in combination with bytesel ≠ 0
Category:	Bitwise

bitset	Set single bit
Syntax:	bitset p1, p2
Parameters:	p1 = REG [x, y, z, r] p2 = number 0 to 31
Calculus:	p1 = p1 OR (1<<p2) <i>"1<<p2": a "1" shifted left by p2 bit positions</i>
Flags affected:	Z S
Bytes:	2
Cycles:	2
Description:	Set the single bit on position p2 in the destination register p1, other bits remain unchanged Note: Don't use on register R in combination with bytesel ≠ 0

bitset	Set single bit
Category:	Bitwise

bytedir	Define configuration for bytesel
Syntax:	bytedir p1
Parameters:	p1 = number 0 or 1
Calculus:	-
Flags affected:	-
Bytes:	1
Cycles:	1
Description:	Basic definition for the configuration of bytesel (see description of bytesel) p1 = 0 : align read data at LSB p1 = 1 : shift read byte(s) to various positions Important remarks: Bytedir permanently sets the read configuration until it is changed. Bytedir is not affected by any conditional or unconditional skip command. Usage within the range of any skip command is not permitted.
Category:	RAM access

bytesel	Define RAM reading mode
Syntax:	bytesel p1
Parameters:	p1 = number 0 to 7
Calculus:	-
Flags affected:	-
Bytes:	1
Cycles:	1

bytesel	Define RAM reading mode
Description:	<p>Read from addressed register R using a byte-oriented shift operation in various configurations. The bytesel command is implemented to simplify bitwise operations, for example read and write from an external EEPROM, or internal selection of coefficients which are shorter than 32 Bit. It actually provides a means for fast bitwise shifting.</p> <p>Denoting the four bytes in the 32-Bit word in R by B3/B2/B1/B0, the following content of R is actually read, depending on the last bytedir setting:</p> <p>After "bytedir 0" (or without using bytedir):</p> <p>p1 = 0 : R is read as B3/B2/B1/B0 (default setting, no shifts)</p> <p>p1 = 1 : R is read as 00/00/B2/B1</p> <p>p1 = 2 : R is read as 00/00/B1/B0</p> <p>p1 = 3 : R is read as 00/00/B3/B2</p> <p>p1 = 4 : R is read as 00/00/00/B0</p> <p>p1 = 5 : R is read as 00/00/00/B1</p> <p>p1 = 6 : R is read as 00/00/00/B2</p> <p>p1 = 7 : R is read as 00/00/00/B3</p> <p>After "bytedir 1":</p> <p>p1 = 0 : R is read as B3/B2/B1/B0 (default setting, no shifts)</p> <p>p1 = 1 : R is read as 00/B1/B0/00</p> <p>p1 = 2 : R is read as 00/00/B1/B0</p> <p>p1 = 3 : R is read as B1/B0/00/00</p> <p>p1 = 4 : R is read as 00/00/00/B0</p> <p>p1 = 5 : R is read as 00/00/B0/00</p> <p>p1 = 6 : R is read as 00/B0/00/00</p> <p>p1 = 7 : R is read as B0/00/00/00</p> <p>Important remarks:</p> <p>Bytesel affects the read direction for any register addressed as R. Any read access to R is affected, so the content of R for any operation is configured according to the list above.</p> <p>Bytesel has no effect in write direction.</p> <p>Bytesel permanently sets the read configuration until it is changed.</p> <p>Bytesel is not affected by any conditional or unconditional skip command. Usage within the range of any skip command is not recommended.</p> <p>Note that the commands bitset, bitclr or bitinv and shiftL, shiftR, rotL and rotR include read access. Set bytesel = 0 before applying one of these commands to R, to avoid undefined results.</p>
Category:	RAM access

clear	Clear register
Syntax:	clear p1
Parameters:	p1 = REG [x, y, z, r]
Calculus:	p1 = 0
Flags affected:	Z S
Bytes:	1
Cycles:	1
Description:	Clear addressed register to 0
Category:	Registerwise

clkmode	Clock mode
Syntax:	clkmode p1
Parameters:	p1 = number 0 or 1
Calculus:	-
Flags affected:	-
Bytes:	2
Cycles:	2
Description:	p1 = 0 : CPU clock is the internal oscillator p1 = 1 : CPU clock is 2 MHz, derived from the high speed clock (HSC) Remark: clkmode sets the clock mode permanently until the next change or until stop. After stop or after power up, clkmode is 0.
Category:	Miscellaneous

clrC	Clear flags
Syntax:	clrC
Parameters:	-
Calculus:	-
Flags affected:	C O
Bytes:	2
Cycles:	2
Description:	Clear Carry and Overflow flags
Category:	Flags

clrwdt	Clear watchdog
Syntax:	clrwdt
Parameters:	-
Calculus:	-
Flags affected:	-
Bytes:	2
Cycles:	
Description:	Clear watchdog. This instruction is used to restart the watchdog timer at the end of a program run. Apply clrwdt right before ,stop' to avoid a reset by the watchdog, if enabled.
Category:	Miscellaneous

compare	Compare two values
Syntax:	compare p1, p2
Parameters:	p1 = REG [x, y, z, r] p2 = REG [x, y, z, r] or 32-Bit number
Calculus:	no register change; only the flags are set to the result of the operation p2 - p1
Flags affected:	C O Z S

compare	Compare two values
Bytes:	1 (p1 = REG, p2 = REG) 5 (p1 = REG, p2 = number)
Cycles:	1 (p1 = REG, p2 = REG) 5 (p1 = REG, p2 = number)
Description:	Comparison of the two inputs by subtraction. The flags are changed according to the subtraction result, but not the register contents themselves.
Category:	Simple arithmetic

compl	Complement
Syntax:	compl p1
Parameters:	p1 = REG [x, y, z, r]
Calculus:	$p1 = -p1 = (\text{NOT } p1) + 1$
Flags affected:	Z S
Bytes:	2
Cycles:	2
Description:	two's complement of register
Category:	Simple arithmetic

decr	Decrement
Syntax:	decr p1
Parameters:	p1 = REG [x, y, z, r]
Calculus:	$p1 = p1 - 1$
Flags affected:	C O Z S
Bytes:	1
Cycles:	1
Description:	Decrement register by 1
Category:	Simple arithmetic

decramadr	Decrement RAM address pointer
Syntax:	decramadr
Parameters:	-
Calculus:	-
Flags affected:	-
Bytes:	1
Cycles:	1
Description:	Decrement RAM address pointer by one
Category:	RAM access

div	Signed division 32 Bit
Syntax:	div p1, p2

div	Signed division 32 Bit
Parameters:	p1 = REG [x, y, z, r] p2 = REG [x, y, z, r]
Calculus:	$p1 = (p1 \ll 32) / p2$ <i>"p1<<32": p1 shifted left by 32 bit positions</i> or $p1 = p1 * 2^{32} / p2$ <i>in standard notation</i> condition for correct calculation: $ p1 < 2 * p2 $ In consequence, the result integers in p1 are between $-0.5 * 2^{32}$ and $0.5 * 2^{32}$
Flags affected:	Z and S according to the result in p1
Bytes:	2
Cycles:	38
Description:	Signed division of 2 registers: 32 fractional bits of the division of 2 registers are assigned to p1; p2 remains unchanged
Category:	Complex arithmetic

divmod	Signed modulo division
Syntax:	divmod p1, p2
Parameters:	p1 = REG [x, y, z, r] p2 = REG [x, y, z, r]
Calculus:	$p1 = \text{integer} (p1 / p2)$ $p2 = p1 \% p2$ <i>"%" is the modulo operation</i>
Flags affected:	Z and S according to the result in p1
Bytes:	2
Cycles:	Similar to div
Description:	Signed modulo division of 2 registers, 32 higher bits of the integer division of 2 registers, result is assigned to p1; the remainder is assigned to p2
Category:	Complex arithmetic

eor	Exclusive OR
Syntax:	eor p1, p2
Parameters:	p1 = REG [x, y, z, r] p2 = REG [x, y, z, r] or 32-Bit number
Calculus:	$p1 = p1 \text{ XOR } p2$ <i>in the resulting bit sequence in p1, a bit is 0 when the corresponding bits of P1 and P2 are equal, or 1 otherwise</i>
Flags affected:	Z S
Bytes:	2 (p1 = REG, p2 = REG) 6 (p1 = REG, p2 = number)
Cycles:	3 (p1 = REG, p2 = REG) 7 (p1 = REG, p2 = number)
Description:	Bitwise Logic exclusive OR (antivalence) of the two given parameters
Category:	Logic

eorn	Exclusive NOR
Syntax:	eorn p1, p2

eorn	Exclusive NOR
Parameters:	p1 = REG [x, y, z, r] p2 = REG [x, y, z, r] or 32-Bit number
Calculus:	$p1 = p1 \text{ XNOR } p2$ in the resulting bit sequence in p1, a bit is 1 when the corresponding bits of P1 and P2 are equal, or 0 otherwise
Flags affected:	Z S
Bytes:	2 (p1 = REG, p2 = REG) 6 (p1 = REG, p2 = number)
Cycles:	3 (p1 = REG, p2 = REG) 7 (p1 = REG, p2 = number)
Description:	Bitwise Logic, exclusive not OR (equivalence) of the two given parameters
Category:	Logic

equal	Write 3 given Bytes to the executable code
Syntax:	equal p1
Parameters:	p1 = 3-Byte string
Calculus:	-
Flags affected:	-
Bytes:	3
Cycles:	3 (or more if an executable command was written)
Description:	This instruction is recognized by the assembler. It writes exactly the three bytes given in p1 to the executable code. This can be used to add customized information like version numbers. Handle with care, since the bytes will be interpreted as code when the PC points to them.
Category:	Miscellaneous

equal1	Write 1 given Bytes to the executable code
Syntax:	equal1 p1
Parameters:	p1 = Byte string
Calculus:	-
Flags affected:	-
Bytes:	1
Cycles:	1 (or more if an executable command was written)
Description:	This instruction is recognized only by the assembler. It writes exactly the one byte given in p1 to the executable code. This can be used to add customized information like version numbers. Handle with care, since the byte will be interpreted as code when the PC points to it.
Category:	Miscellaneous

getflag	Set S and Z flags
Syntax:	getflag p1
Parameters:	p1 = REG [x, y, z, r]
Calculus:	Signum flag S is set if $p1 < 0$ Zero flag Z indicates Zero if $p1 = 0$
Flags affected:	Z S

getflag	Set S and Z flags
Bytes:	1
Cycles:	1
Description:	Set the signum and zero flag according to the addressed register, content of the register is not affected
Category:	Simple arithmetic

getramadr	Set RAM address pointer to the value in Z
Syntax:	getramadr
Parameters:	- <i>The input address is always taken from Z</i>
Calculus:	RAM address pointer = Z
Flags affected:	-
Bytes:	1
Cycles:	1
Description:	Set the RAM address pointer to the value given in Z
Category:	RAM access

goto	jump without condition
Syntax:	goto p1
Parameters:	p1 = JUMPLABEL
Calculus:	PC = p1
Flags affected:	-
Bytes:	2 (relative jump) <i>see section "branch instructions"</i> 3 (absolute jump)
Cycles:	3 (relative jump) <i>see section "branch instructions"</i> 4 (absolute jump)
Description:	Jump without condition. Program counter (PC) is set to target address. The target address is given by using a jump label or by an absolute number. Jump range: 0 to 4095 (Firmware code) and 61440 to 65535 (ROM code)
Category:	Jump

gotoBitC	Jump on bit clear
Syntax:	gotoBitC p1, p2, p3
Parameters:	p1 = REG [x, y, z, r] p2 = number [0...31] p3 = JUMPLABEL or number
Calculus:	if (bit p2 of register p1 == 0) <i>if ((1 << p2 and p1) == 0)</i> PC = p3
Flags affected:	-
Bytes:	2 (relative jump) <i>see section "branch instructions"</i> 3 (absolute jump)
Cycles:	3 (relative jump) <i>see section "branch instructions"</i> 4 (absolute jump)

gotoBitC	Jump on bit clear
Description:	Jump on bit clear. Program counter (PC) is set to target address if selected bit p2 in register p1 is clear. The target address is given by using a jump label or by an absolute number. Jump range: 0 to 4095 (Firmware code) and 61440 to 65535 (ROM code)
Category:	Jump

gotoBitS	Jump on bit set
Syntax:	gotoBitS p1, p2, p3
Parameters:	p1 = REG [x, y, z, r] p2 = number [0..31] p3 = JUMPLABEL or number
Calculus:	if (bit p2 of register p1 == 1) <i>if ((2^{p2} AND p1) == 1) ...</i> PC = p3
Flags affected:	-
Bytes:	2 (relative jump) <i>see section "branch instructions"</i> 3 (absolute jump)
Cycles:	3 (relative jump) <i>see section "branch instructions"</i> 4 (absolute jump)
Description:	Jump on bit set. Program counter (PC) is set to target address if selected bit p2 in register p1 is set. The target address is given by using a jump label or by an absolute number. Jump range: 0 to 4095 (Firmware code) and 61440 to 65535 (ROM code)
Category:	Jump

gotoCarC	Jump on carry clear
Syntax:	gotoCarC p1
Parameters:	p1 = JUMPLABEL or number
Calculus:	if (carry is clear) PC = p1
Flags affected:	-
Bytes:	2 (relative jump) <i>see section "branch instructions"</i> 3 (absolute jump)
Cycles:	3 (relative jump) <i>see section "branch instructions"</i> 4 (absolute jump)
Description:	Jump on carry clear. Program counter (PC) is set to target address if the last operation that affected the carry (C) flag left it clear. The target address is given by using a jump label or by an absolute number. Jump range: 0 to 4095 (Firmware code) and 61440 to 65535 (ROM code)
Category:	Jump

gotoCarS	Jump on carry set
Syntax:	gotoCarS p1
Parameters:	p1 = JUMPLABEL or number
Calculus:	if (carry is set) PC = p1
Flags affected:	-

gotoCarS	Jump on carry set
Bytes:	2 (relative jump) <i>see section "branch instructions"</i> 3 (absolute jump)
Cycles:	3 (relative jump) <i>see section "branch instructions"</i> 4 (absolute jump)
Description:	Jump on carry set. Program counter (PC) is set to target address if the last operation that affected the carry (C) flag left it set. The target address is given by using a jump label or by an absolute number. Jump range: 0 to 4095 (Firmware code) and 61440 to 65535 (ROM code)
Category:	Jump

gotoEQ	Jump on equal zero
Syntax:	gotoEQ p1
Parameters:	p1 = JUMPLABEL or number
Calculus:	if (Z indicates zero) PC = p1
Flags affected:	-
Bytes:	2 (relative jump) <i>see section "branch instructions"</i> 3 (absolute jump)
Cycles:	3 (relative jump) <i>see section "branch instructions"</i> 4 (absolute jump)
Description:	Jump on equal zero. Program counter (PC) is set to target address if the last operation that affected the zero (Z) flag indicated a zero result. The target address is given by using a jump label or by an absolute number. Jump range: 0 to 4095 (Firmware code) and 61440 to 65535 (ROM code)
Category:	Jump

gotoNE	Jump on not equal zero
Syntax:	gotoNE p1
Parameters:	p1 = JUMPLABEL or number
Calculus:	if (Z indicates not-equal zero) PC = p1
Flags affected:	-
Bytes:	2 (relative jump) <i>see section "branch instructions"</i> 3 (absolute jump)
Cycles:	3 (relative jump) <i>see section "branch instructions"</i> 4 (absolute jump)
Description:	Jump on not-equal zero. Program counter (PC) is set to target address if the last operation that affected the zero (Z) flag indicated a not-equal zero result. The target address is given by using a jump label or by an absolute number. Jump range: 0 to 4095 (Firmware code) and 61440 to 65535 (ROM code)
Category:	Jump

gotoNeg	Jump on negative
Syntax:	gotoNeg p1
Parameters:	p1 = JUMPLABEL or number

gotoNeg	Jump on negative
Calculus:	if (S indicates negative) PC = p1
Flags affected:	-
Bytes:	2 (relative jump) <i>see section "branch instructions"</i> 3 (absolute jump)
Cycles:	3 (relative jump) <i>see section "branch instructions"</i> 4 (absolute jump)
Description:	Jump on negative. Program counter (PC) is set to target address if the last operation that affected the sign (S) flag indicated a result below 0. The target address is given by using a jump label or by an absolute number. Jump range: 0 to 4095 (Firmware code) and 61440 to 65535 (ROM code)
Category:	Jump

gotoOvrC	Jump on overflow clear
Syntax:	gotoOvrC p1
Parameters:	p1 = JUMPLABEL or number
Calculus:	if (O is clear) PC = p1
Flags affected:	-
Bytes:	2 (relative jump) <i>see section "branch instructions"</i> 3 (absolute jump)
Cycles:	3 (relative jump) <i>see section "branch instructions"</i> 4 (absolute jump)
Description:	Jump on overflow clear. Program counter (PC) is set to target address if the last operation that affected the overflow (O) flag indicated no overflow. The target address is given by using a jump label or by an absolute number. Jump range: 0 to 4095 (Firmware code) and 61440 to 65535 (ROM code)
Category:	Jump

gotoOvrS	Jump on overflow set
Syntax:	gotoOvrS p1
Parameters:	p1 = JUMPLABEL
Calculus:	if (O is set) PC = p1
Flags affected:	-
Bytes:	2 (relative jump) <i>see section "branch instructions"</i> 3 (absolute jump)
Cycles:	3 (relative jump) <i>see section "branch instructions"</i> 4 (absolute jump)
Description:	Jump on overflow set. Program counter (PC) is set to target address if the last operation that affected the overflow (O) flag indicated an overflow. The target address is given by using a jump label or by an absolute number. Jump range: 0 to 4095 (Firmware code) and 61440 to 65535 (ROM code)
Category:	Jump

gotoPos	Jump on positive
Syntax:	gotoPos p1
Parameters:	p1 = JUMPLABEL or number
Calculus:	if (S indicates positive) PC = p1
Flags affected:	-
Bytes:	2 (relative jump) <i>see section "branch instructions"</i> 3 (absolute jump)
Cycles:	3 (relative jump) <i>see section "branch instructions"</i> 4 (absolute jump)
Description:	Jump on positive. Program counter (PC) is set to target address if the last operation that affected the sign (S) flag indicated a result equal or above 0. The target address is given by using a jump label or by an absolute number. Jump range: 0 to 4095 (Firmware code) and 61440 to 65535 (ROM code)
Category:	Jump

The following three I2C instructions are very basic and listed for the sake of completeness only. The user is asked to access the ready-made ROM routines as described in section 15.4.

i2crw	I2C read / write
Syntax:	i2crw p1
Parameters:	p1 = number 0 or 1
Description:	p1 = 0 : I2C write p1 = 1 : I2C read

incr	Increment
Syntax:	incr p1
Parameters:	p1 = REG [x, y, z, r]
Calculus:	$p1 = p1 + 1$
Flags affected:	C O Z S
Bytes:	1
Cycles:	1
Description:	Increment register by one
Category:	Simple arithmetic

incramadr	Increment RAM address
Syntax:	incramadr
Parameters:	-
Calculus:	-
Flags affected:	-
Bytes:	1
Cycles:	1
Description:	Increment RAM address pointer by 1

incramadr	Increment RAM address
Category:	RAM access

invert	Bitwise inversion
Syntax:	invert p1
Parameters:	p1 = REG [x, y, z, r]
Calculus:	p1 = NOT p1
Flags affected:	Z S
Bytes:	2
Cycles:	2
Description:	Bitwise inversion of register
Category:	Logic

jsub	Unconditional jump to a subroutine
Syntax:	jsub p1
Parameters:	p1 = JUMPLABEL or number
Calculus:	PC = p1
Flags affected:	-
Bytes:	2 (relative jump) <i>see section "branch instructions"</i> 3 (absolute jump)
Cycles:	3 (relative jump) <i>see section "branch instructions"</i> 4 (absolute jump)
Description:	Jump to subroutine without condition. The program counter is loaded by the address given through the parameter. The subroutine is processed until the keyword 'jsubret' occurs. Then a jump back is performed and the next command after the jsub instruction is executed. Jsub needs temporarily a place in the program counter (PC) stack to remember the return address. The PC stack has a depth of 8, so jsub works for up to 8 nested calls. Jump range: 0 to 4095 (Firmware code) and 61440 to 65535 (ROM code)
Category:	Jsub

jsubret	Return from subroutine
Syntax:	jsubret
Parameters:	-
Calculus:	PC = PC after last jsub operation
Flags affected:	-
Bytes:	1
Cycles:	3
Description:	Return from subroutine. A subroutine called via 'jsub' has to be exited by using jsubret. The program is continued at the next command following the calling jsub instruction. The address for continuing is stored in the program counter (PC) stack, which has a depth of 8. This means, the combination jsub-jsubret can be used for up to 8 nested calls.
Category:	Jsub

mcten	Enable / disable measure cycle timer
Syntax:	mcten p1
Parameters:	p1 = number 0 or 1
Calculus:	-
Flags affected:	-
Bytes:	2
Cycles:	2
Description:	p1 = 0 : Measure cycle timer disabled p1 = 1 : Measure cycle timer enabled
Category:	Miscellaneous

Move	Move
Syntax:	move p1, p2
Parameters:	p1 = REG [x, y, z, r] p2 = REG [x, y, z, r] or 32-bit number
Calculus:	p1 = p2
Flags affected:	Z S
Bytes:	1 (p1 = REG, p2 = REG) 5 (p1 = REG, p2 = number)
Cycles:	1 (p1 = REG, p2 = REG) 5 (p1 = REG, p2 = number)
Description:	Move content of p2 to p1 (p1 = REG, p2 = REG) Move constant to p1 (p1 = REG, p2 = number)
Category:	Registerwise

mult	Signed 32-Bit multiplication
Syntax:	mult p1, p2
Parameters:	p1 = REG [x, y, z, r] p2 = REG [x, y, z, r]
Calculus:	$p1, p2 = p1 * p2$ <i>the 32-bit numbers p1 and p2 are multiplied to a 64-bit result witch is stored in p1 (upper 32 bits and sign) and p2 (lower 32 bits)</i>
Flags affected:	Z and S according to p1
Bytes:	2
Cycles:	38
Description:	Signed multiplication of two registers. Higher 32 bits of the multiplication result are placed to p1; lower 32 bits of the multiplication result are placed to p2. Note that the sign of the whole number is defined through the MSB of p1, while the MSB of p2 is just bit 31 of the result (p2 is unsigned). This can lead to misinterpretation by subsequent operations which assume signed numbers.
Category:	Complex arithmetic

nand	Logic NAND
Syntax:	nand p1, p2

nand	Logic NAND
Parameters:	p1 = REG [x, y, z, r] p1 = REG [x, y, z, r] or 32-Bit number
Calculus:	$p1 = p1 \text{ NAND } p2$ <i>not (p1 AND p2); in the resulting bit sequence in p1, a bit is 0 when the corresponding bits of P1 and P2 are both equal to 1, otherwise the bit is 1</i>
Flags affected:	Z S
Bytes:	2 (p1 = REG, p2 = REG) 6 (p1 = REG, p2 = number)
Cycles:	3 (p1 = REG, p2 = REG) 7 (p1 = REG, p2 = number)
Description:	Bitwise logic NAND (negated AND) of the two input parameters
Category:	Logic

nop	No operation
Syntax:	nop
Parameters:	-
Calculus:	-
Flags affected:	-
Bytes:	1
Cycles:	1
Description:	Placeholder code or timing adjust, no operation. May be needed sometimes to separate two code bytes to prevent an assembler error message.
Category:	Miscellaneous

nor	Logic NOR
Syntax:	nor p1, p2
Parameters:	p1 = REG [x, y, z, r] p2 = REG [x, y, z, r] or 32-Bit number
Calculus:	$p1 = p1 \text{ NOR } p2$ $p1 = \text{not } (p1 \text{ OR } p2)$; <i>in the resulting bit sequence in p1, a bit is 1 when the corresponding bits of P1 and P2 are both equal to 0, otherwise the bit is 0</i>
Flags affected:	Z S
Bytes:	2 (p1 = REG, p2 = REG) 6 (p1 = REG, p2 = number)
Cycles:	3 (p1 = REG, p2 = REG) 7 (p1 = REG, p2 = number)
Description:	Bitwise logic NOR (negated OR) of the two input parameters
Category:	Logic

or	Logic OR
Syntax:	or p1, p2

or	Logic OR
Parameters:	p1 = REG [x, y, z, r] p2 = REG [x, y, z, r] or 32-Bit number
Calculus:	$p1 = p1 \text{ OR } p2$ <i>in the resulting bit sequence in p1, a bit is 0 when the corresponding bits of P1 and P2 are both equal to 0, otherwise 1</i>
Flags affected:	Z S
Bytes:	2 (p1 = REG, p2 = REG) 6 (p1 = REG, p2 = number)
Cycles:	3 (p1 = REG, p2 = REG) 7 (p1 = REG, p2 = number)
Description:	Bitwise logic OR of the two input parameters
Category:	Logic

ramadr	Set RAM address pointer
Syntax:	ramadr p1
Parameters:	p1 = RAM cell name or 8-Bit number
Calculus:	-
Flags affected:	-
Bytes:	2
Cycles:	2
Description:	Set pointer to RAM address (range: 0...255)
Category:	RAM access

rotL	Rotate left
Syntax:	rotL p1(, p2)
Parameters:	p1 = REG [x, y, z, r] p2 = no entry or number 2..15
Calculus:	case rotL p1, without p2: $p1 = (p1 \ll 1) + \text{carry}$; carry = MSB(p1) $p1 = 2 * p1 + \text{carry}$; carry = MSB(p1) case rotL p1, p2: $p1 = \text{repeat } (p2 \text{ times}) \text{ rotL } p1$ <i>Adding carry finally lets the bits of p1 circulate left over 1 or p2 positions.</i>
Flag affected:	C O (resulting from the last rot step), Z S (according to the final result in p1)
Bytes:	1 (p1 = REG, p2 = none) 2 (p1 = REG, p2 = number)
Cycles:	1 (p1 = REG, p2 = none) 1 + p2 (p1 = REG, p2 = number)
Description:	Without p2 or p2 = 1 : Rotate p1 left by one bit position over carry. This means in detail, shift p1 register to the left, fill LSB with present carry, then move the former MSB to carry. With $2 \leq p2 \leq 15$: Rotate p1 left by p2 bit positions over carry. This means in detail, shift p1 register p2 times to the left, in each step fill LSB with the present carry and then move the former MSB to carry. Note: Don't use on register R in combination with bytesel $\neq 0$
Category:	Shift and rotate

rotR	Rotate right
Syntax:	rotR p1(, p2)
Parameters:	p1 = REG [x, y, z, r] p2 = no entry or number 2..15
Calculus:	case rotR p1, without p2: $p1 = (p1 \gg 1) + (\text{carry} \ll 31)$; carry = LSB(p1) → Carry is shifted left to position 31, or $p1 = \text{integer}(p1 / 2) + (\text{carry} * 2^{31})$; carry = LSB(p1) case rotR p1, p2: $p1 = \text{repeat}(p2 \text{ times}) \text{rotL } p1$ <i>Placing carry at MSB lets the bits of p1 circulate right over 1 or p2 positions.</i>
Flags affected:	C O (resulting from the last rot step), Z S (according to the final result in p1)
Bytes:	1 (p1 = REG, p2 = none) 2 (p1 = REG, p2 = number)
Cycles:	1 (p1 = REG, p2 = none) 1 + p2 (p1 = REG, p2 = number)
Description:	Without p2 or p2 = 1 : Rotate p1 right by one bit position over carry. This means in detail, shift p1 register to the right, fill MSB with present carry, then move the former LSB to carry. With $2 \leq p2 \leq 15$: Rotate p1 right by p2 bit positions over carry. This means in detail, shift p1 register p2 times to the right, in each step fill MSB with the present carry and then move the former LSB to carry. Note: Don't use on register R in combination with bytesel $\neq 0$
Category:	Shift and rotate

setC	Set carry flag
Syntax:	setC
Parameters:	-
Calculus:	-
Flags affected:	C O
Bytes:	2
Cycles:	2
Description:	Set carry flag and clear overflow flag
Category:	Flags

shiftL	Shift Left
Syntax:	shiftL p1(, p2)
Parameters:	p1 = REG [x, y, z, r] p2 = no entry or number 2..15
Calculus:	case shiftL p1, without p2: $p1 = (p1 \ll 1)$; carry = MSB(p1) <i>"p1 << 1": p1 shifted left by 1 bit, actually means p1 multiplied by 2</i> <i>in standard notation: $p1 = 2 * p1$ as long as MSB remains unchanged</i> case shiftL p1, p2: $p1 = \text{repeat}(p2 \text{ times}) \text{shiftL } p1$ <i>in standard notation: $p1 = p1 * 2^{p2}$ as long as MSB remains unchanged</i>
Flags affected:	C O (resulting from the last shift step), Z S (according to the final result in p1)
Bytes:	1 (p1 = REG, p2 = none) 2 (p1 = REG, p2 = number)

shiftL	Shift Left
Cycles:	1 (p1 = REG, p2 = none) 1 + p2 (p1 = REG, p2 = number)
Description:	Without p2 or p2 = 1 : Unsigned Shift p1 left by one bit position, LSB set to zero, MSB shifted out to carry. Note that this can cause fake sign changes. With $2 \leq p2 \leq 15$: Unsigned Shift p1 left by p2 bit positions, b2 lower bits set to zero, MSB of last step shifted out to carry. Note that this operation can cause fake sign changes. Check by OVL flag Note: Don't use on register R in combination with bytesel $\neq 0$
Category:	Shift and rotate

shiftR	Shift right
Syntax:	shiftR p1(, p2)
Parameters:	p1 = REG [x, y, z, r] p2 = no entry or number 2..15
Calculus:	case shiftR p1, without p2: $p1 = (p1 \gg 1)$; carry = LSB(p1) <i>"p1 >> 1": p1 shifted right by 1 bit, actually means p1 divided by 2</i> <i>in standard notation:</i> $p1 = p1 / 2$ with a truncation error if LSB(p1)=1 case shiftR p1, p2: p1 = repeat (p2 times) shiftR p1 <i>in standard notation:</i> $p1 = p1 / 2^{p2}$ <i>with some truncation error due to lost lower bits</i>
Flags affected:	C O (resulting from the last shift step), Z S (according to the final result in p1)
Bytes:	1 (p1 = REG, p2 = none) 2 (p1 = REG, p2 = number)
Cycles:	1 (p1 = REG, p2 = none) 1 + p2 (p1 = REG, p2 = number)
Description:	Without p2 or p2 = 1 : Signed Shift p1 right by one bit position, MSB duplicated to keep sign unchanged, LSB shifted out to carry. The latter can be used to correct a possible truncation error. With $2 \leq p2 \leq 15$: Signed Shift p1 right by p2 bit positions, p2 leading bits set to initial MSB to keep sign unchanged. Carry is set to the last LSB shifted out, which can be used to reduce a possible truncation error. Note: Don't use on register R in combination with bytesel $\neq 0$
Category:	Shift and rotate

sign	Sign
Syntax:	sign p1
Parameters:	p1 = REG [x, y, z, r]
Calculus:	$p1 = 1 = 0x00000001$ if $p1 \geq 0$ $p1 = -1 = 0xFFFFFFFF$ if $p1 < 0$
Flags affected:	Z S
Bytes:	2
Cycles:	2
Description:	Sign of addressed register in complement of two notations. A positive value returns 1, a negative value returns -1 Zero is assumed to be positive
Category:	Simple arithmetic

skip	Skip
Syntax:	skip p1
Parameters:	p1 = number [1, 2, 3]
Calculus:	PC = PC + code bytes of next p1 instructions
Flags affected:	-
Bytes:	1
Cycles:	1 + cycles of the skipped commands
Description:	<p>Skip p1 instructions without conditions. The one, two or three active instructions following the skip command produce no result, except some instructions that may not be skipped (see below). Note that the skipped instructions are processed, but they produce no result or further activity. Use the skip commands (conditional or unconditional) for structured programming or to ignore very short code sequences – for long sequences goto is more effective.</p> <p>Note: The following instructions may not be skipped: bytedir, bytesel, clkmode, clrwdt, equal, equal1, i2crw, mcten</p>
Category:	Skip

skipBitC	Skip on bit clear
Syntax:	skipBitC p1, p2,p3
Parameters:	p1 = REG [x, y, z, r] p2 = number [0..31] p3 = number [1, 2, 3]
Calculus:	if (bit p2 of register p1 == 0) PC = PC + code bytes of next p3 instructions
Flags affected:	-
Bytes:	2
Cycles:	2 + cycles of the skipped commands
Description:	Skip p3 commands if bit p2 of register p1 is clear. See “skip” for more details.
Category:	Skip

skipBitS	Skip on bit set
Syntax:	skipBitS p1, p2,p3
Parameters:	p1 = REG [x, y, z, r] p2 = number[0..31] p3 = number[1, 2, 3]
Calculus:	if (bit p2 of register p1 == 1) PC = PC + code bytes of next p3 instructions
Flags affected:	-
Bytes:	2
Cycles:	2 + cycles of the skipped commands
Description:	Skip p3 commands if bit p2 of register p1 is set. See “skip” for more details.
Category:	Skip

skipCarC	Skip carry clear
Syntax:	skipCarC p1
Parameters:	p1 = number [1, 2, 3]
Calculus:	if (carry == 0) PC = PC + code bytes of next p1 instructions
Flags affected:	-
Bytes:	1
Cycles:	1 + cycles of the skipped commands
Description:	Skip p1 commands if carry clear. See "skip" for more details.
Category:	Skip

skipCarS	Skip carry set
Syntax:	skipCarS p1
Parameters:	p1 = number [1, 2, 3]
Calculus:	if (carry == 1) PC = PC + code bytes of next p1 instructions
Flags affected:	-
Bytes:	1
Cycles:	1 + cycles of the skipped commands
Description:	Skip p1 commands if carry set. See "skip" for more details.
Category:	Skip

skipEQ	Skip on zero
Syntax:	skipEQ p1
Parameters:	p1 = number [1, 2, 3]
Calculus:	if (Z indicates zero) PC = PC + code bytes of next p1 instructions
Flags affected:	-
Bytes:	1
Cycles:	1 + cycles of the skipped commands
Description:	Skip p1 commands if result of previous operation is equal to zero. See "skip" for more details.
Category:	Skip

skipNE	Skip on non-zero
Syntax:	skipNE p1
Parameters:	p1 = number [1, 2, 3]
Calculus:	if (Z indicates not-equal zero) PC = PC + code bytes of next p1 instructions
Flags affected:	-
Bytes:	1
Cycles:	1 + cycles of the skipped commands

skipNE	Skip on non-zero
Description:	Skip p1 commands if result of previous operation is not equal to zero. See “skip” for more details.
Category:	Skip

skipNeg	Skip on negative
Syntax:	skipNeg p1
Parameters:	p1 = number [1, 2, 3]
Calculus:	if (S indicates negative) PC = PC + code bytes of next p1 instructions
Flags affected:	-
Bytes:	1
Cycles:	1 + cycles of the skipped commands
Description:	Skip p1 commands if result of previous operation was smaller than 0. See “skip” for more details.
Category:	Skip

skipOvrC	Skip on overflow clear
Syntax:	skipOvrC p1
Parameters:	p1 = number [1, 2, 3]
Calculus:	if (O is clear) PC = PC + code bytes of next p1 instructions
Flags affected:	-
Bytes:	1
Cycles:	1 + cycles of the skipped commands
Description:	Skip p1 commands if overflow is clear. See “skip” for more details.
Category:	Skip

skipOvrS	Skip on overflow set
Syntax:	skipOvrS p1
Parameters:	p1 = number [1, 2, 3]
Calculus:	if (O is set) PC = PC + code bytes of next p1 instructions
Flags affected:	-
Bytes:	1
Cycles:	1 + cycles of the skipped commands
Description:	Skip p1 commands if overflow is set. See “skip” for more details.
Category:	Skip

skipPos	Skip on positive
Syntax:	skipPos p1
Parameters:	p1 = number [1, 2, 3]

skipPos	Skip on positive
Calculus:	if (S indicates positive) PC = PC + code bytes of next p1 instructions
Flags affected:	-
Bytes:	1
Cycles:	1 + cycles of the skipped commands
Description:	Skip p1 commands if result of previous operation was greater or equal to 0. See "skip" for more details.
Category:	Skip

stop	Stop
Syntax:	stop
Parameters:	-
Calculus:	-
Flags affected:	-
Bytes:	1
Cycles:	1
Description:	The CPU and the CPU clock are stopped. Usually this instruction is the last command in the assembler listing, it ends any CPU activity. New activity starts by request of the task sequencer or over external communication. Note that the request flag that started the CPU activity must be cleared by the CPU before stop, to indicate that this request was processed.
Category:	Miscellaneous

sub	Substraction
Syntax:	sub p1, p2
Parameters:	p1 = REG [x, y, z, r] p2 = REG [x, y, z, r] or 32-Bit number
Calculus:	$p1 = p2 - p1$
Flags affected:	C O Z S
Bytes:	1 (p1 = REG, p2 = REG) 5 (p1 = REG, p2 = number)
Cycles:	1 (p1 = REG, p2 = REG) 5 (p1 = REG, p2 = number)
Description:	Subtraction of the two parameters
Category:	Simple arithmetic

swap	Swap
Syntax:	swap p1, p2
Parameters:	p1 = REG [x, y, z, r] p2 = REG [x, y, z, r]
Calculus:	$p1 = p2$ and $p2 = p1$
Flags affected:	-

swap	Swap
Bytes:	1
Cycles:	3
Description:	Swap of 2 registers. The value of two registers is exchanged between each other.
Category:	Registerwise

15.5 ROM Routines in Detail

15.5.1 Data Filtering

ROM routine name	<i>ROM_INIT_FILTER / ROM_INIT_FILTER1</i>
Description	Routine to initialize the RAM cells for any block of RAM cells of size N and starting at a given address with a given value (use to initialize rolling average filter). The routine has an alternative start address <i>ROM_INIT_FILTER1</i> , where <i>RAM_R_V32_FILTER</i> remains unchanged, but Y returns undefined.
Prerequisite	-
Input parameters / register values	X: contains value to be initialised in the RAM cells (any format) Y: Number of RAM cells to be initialised N (integer) Z: Starting RAM Address of the filter
Output/Return value	NVRAM cells starting at the address in Z are initialised with the value in X
Temporary RAM	<i>RAM_R_V32_FILTER</i> (remains unchanged when using <i>ROM_INIT_FILTER1</i>)
Permanent RAM	-
Routines used	-
Unchanged registers	X, Z; (Y unchanged when using <i>ROM_INIT_FILTER</i>)

ROM routine name	<i>ROM_ROLL_AVG</i>
Description	This routine averages a list of the last N <i>FILTER_IN</i> values using a rolling average filter. With every call it removes the oldest value from the list end and adds the new one at the beginning. Then it determines the new average by calculating the arithmetic mean from the N list values. The final output value must not exceed the maximal representable number/N in the chosen format (else overflow occurs).
Prerequisite	For correct results, all N RAM cells of the filter must contain valid values. Use <i>ROM_INIT_FILTER</i> once before first routine call for proper initialization.
Input parameters / register values	X: new value to be added to the filter list (<i>FILTER_IN</i>) (any format) Y: filter length N (integer) Z: Starting address of the rolling average filter RAM cell block of length N
Output/Return value	X: new average (same format as X input)

ROM routine name	<i>ROM_ROLL_AVG</i>
Temporary RAM	RAM_R_V32_FILTER
Permanent RAM	-
Routines used	-
Unchanged registers	(all registers X, Y, Z and R are in use)

ROM routine name	<i>ROM_ROLLAVG_2OUTLIER</i>
Description	<p>This routine averages a list of the last N <i>FILTER_IN</i> values using a rolling average filter. With every call it removes the oldest value from the list end and adds the new one at the beginning. Then it determines the new average by calculating the arithmetic mean from the N list values – except the one value that deviates the most from the last average (the <i>OUTLIER</i>). This one value is replaced by the previous one (ONLY for the calculation, the original value remains in the list), in order to filter out single error points.</p> <p>The final output value must not exceed the maximal representable number/N in the chosen format (else overflow occurs).</p>
Prerequisite	For correct results, all N RAM cells of the filter must contain valid values. Use <i>ROM_INIT_FILTER</i> once before first routine call for proper initialization.
Input parameters / register values	<p>X: new value to be added to the filter list (<i>FILTER_IN</i>) (any format)</p> <p>Y: filter length N (integer)</p> <p>Z: Starting address of the rolling average filter RAM cell block of length N <i>RAM_R_V30_PREV_AVG</i> with the previous averaged result</p>
Output/Return value	<p>X: new average (same format as X input)</p> <p>Z: last valid value that replaced the <i>OUTLIER</i> (same format as X input)</p> <p>Bit <i>BNR_NEW_VAL_IS_OUTLIER</i> in <i>RAM_R_FW_STATUS</i> is set if the current new value is then <i>OUTLIER</i> – to be recognized for later error handling, for example to replace the new value by Z in other calculations..</p>
Temporary RAM	RAM_R_V32_FILTER, RAM_R_V31_FILTER_2, RAM_R_V33_FILTER_SUM
Permanent RAM	RAM_R_FW_STATUS, RAM_R_V30_PREV_AVG
Routines used	-
Unchanged registers	(all registers X, Y, Z and R are in use)

ROM routine name	<i>ROM_FILTER_FLOW</i>
Description	<p>Routine to filter the flow value with a rolling average filter of length 16.</p> <p>The routine initializes the filter at its first call with its input value, and calculates with each new call a new averaged flow value with the oldest value replaced by the new input from <i>RAM_R_VA2_FLOW_LPH_TO_FLT</i>.</p> <p>The final output value must not exceed the maximal representable number/16 in the chosen format (else overflow occurs).</p>
Prerequisite	All 16 filter cells in RAM, starting at <i>RAM_R_ROLAVG_1</i> , must still contain the former values.
Input parameters / register values	<i>RAM_R_VA2_FLOW_LPH_TO_FLT</i> (any format)
Output/Return value	<p>X: averaged flow value (same format as input)</p> <p>Values in 16 filter cells in RAM, starting at <i>RAM_R_ROLAVG_1</i>, are shifted by one cell, dropping the oldest value at the end and storing the new input value in <i>RAM_R_ROLAVG_1</i></p> <p>First call: all 16 filter cells get initialized to <i>RAM_R_VA2_FLOW_LPH_TO_FLT</i>, and Bit <i>BNR_FLOW_FILT_INIT_DONE</i> in <i>RAM_R_FW_STATUS</i> is set.</p>

ROM routine name	<i>ROM_FILTER_FLOW</i>
Temporary RAM	-
Permanent RAM	<i>RAM_R_FW_STATUS, RAM_R_VA2_FLOW_LPH_TO_FLT, RAM_R_ROLAVG_1, RAM_ROLAVG_2 .. RAM_ROLAVG_16</i>
Routines used	<i>ROM_INIT_FILTER, ROM_ROLL_AVG</i>
Unchanged registers	(all registers X, Y, Z and R are in use)

15.5.2 Error Detection and Handling

ROM routine name	<i>ROM_EH</i>
Description	Error Handling: This routine checks all error flags and suppresses processing of wrong results.
Prerequisite	-
Input parameters / register values	error flags in <i>SRR_ERR_FLG</i>
Output/Return value	error counters and flags are updated.
Temporary RAM	-
Permanent RAM	<i>RAM_R_TM_ERR_CTR, RAM_R_AM_ERR_CTR, RAM_R_USM_ERR_CTR, RAM_R_FW_STATUS, RAM_R_PT_INT_TEMPERATURE, RAM_R_PTC_TEMPERATURE, RAM_R_PTC_TEMPERATURE, RAM_R_V2D_PT_INT_TEMPERATURE_OLDVAL, RAM_R_V2B_PTC_TEMPERATURE_OLDVAL, RAM_R_V2C_PTH_TEMPERATURE_OLDVAL, RAM_R_FHL_ERR_CTR, RAM_R_FLOW_LPH, RAM_R_THETA, RAM_R_V29_FLOW_LPH_OLDVAL, RAM_R_V2A_FLOW_THETA_OLDVAL</i>
Routines used	<i>ROM_REPLACE_WITH_OLD_TOFS</i>
Unchanged registers	Z

ROM routine names	<i>ROM_PP_AM_MON / ROM_PP1_AM_MON</i>
Description	<p>AM monitoring: This routine reads the raw amplitude values from the front end data buffer and checks if they are above the user given limit in <i>FWD_R_AM_MIN</i>. This is done by direct comparison of <i>FDB_US_AM_U</i> and <i>FDB_US_AM_D</i> with <i>RAM_R_AM_MIN_RAW</i> (provided by <i>ROM_PP_AM_CALIB</i> or <i>ROM_PP1_AM_CALIB</i>).</p> <p>The routine sets the flag <i>BNR_AMP_VAL_TOO_LOW</i> bit in <i>RAM_R_FW_ERR_FLAGS</i> register, if any of the amplitudes is too low, or clears it in the opposite case (sufficient signal amplitudes).</p> <p>The alternative call <i>ROM_PP1_AM_MON</i> does not need the RAM cell <i>RAM_R_AM_MIN_RAW</i>, it gets the same value from Z.</p>
Prerequisite	An AM measurement must be done before, with valid results in <i>FDB_US_AM_U</i> and <i>FDB_US_AM_D</i> .
Input parameters / register values	<p><i>RAM_R_AM_MIN_RAW</i>: Min. amplitude raw value in HSC periods (fd 16) equivalent to the user's minimum amplitude limit <i>FWD_R_AM_MIN</i> in mV. or alternatively, with <i>ROM_PP1_AM_MON</i>, use Z instead as input:</p> <p>Z: Minimal. amplitude raw value in HSC periods (as above) (fd 16)</p>
Output/Return value	<i>BNR_AMP_VAL_TOO_LOW</i> in <i>RAM_R_FW_ERR_FLAGS</i> register
Temporary RAM	-
Permanent RAM	<i>RAM_R_FW_ERR_FLAGS</i> only <i>ROM_PP_AM_MON</i> : <i>RAM_R_AM_MIN_RAW</i>

ROM routine names	<i>ROM_PP_AM_MON / ROM_PP1_AM_MON</i>
Routines used	-
Unchanged registers	X, Y

ROM routine name	<i>ROM_PP_AM_CALIB / ROM_PP1_AM_CALIB</i>
Description	<p>These routines are used after an amplitude calibration measurement. Using the new amplitude calibration values (FDB_US_AMC_VH and FDB_US_AMC_VL), they calculate gradient <i>RAM_R_AMC_GRADIENT</i> and offset <i>RAM_R_AMC_OFFSET</i> that are needed for calculating actual amplitudes (this is not done here, see manual for equations).</p> <p>In addition, they scale the amplitude limit FWD_R_AM_MIN into an equivalent raw value <i>RAM_R_AM_MIN_RAW</i>, which can be directly compared to measured time values. This avoids frequent multiplications or divisions. Note that all calculated values change slowly over time, so they need to be updated rarely, but regularly.</p> <p>The routine <i>ROM_PP_AM_CALIB</i> uses a hard-coded typical AM amplitude value of 350mV as reference. The alternative call <i>ROM_PP1_AM_CALIB</i> has an input cell from firmware data (<i>FWD_R_VCAL_TYP</i>) instead, such that the voltage reference can be adapted if necessary.</p> <p>Applied formulae:</p> $RAM_R_AMC_GRADIENT = VCAL / (FDB_US_AMC_VH - FDB_US_AMC_VL)$ $RAM_R_AMC_OFFSET = (2 * FDB_US_AMC_VL - FDB_US_AMC_VH) * RAM_R_AMC_GRADIENT$ <p>(note: for subsequent amplitude calculations, <i>RAM_R_AMC_OFFSET</i> must be further corrected outside the routine: $offset = RAM_R_AMC_OFFSET + (SHR_ZCD_LVL - 796) * 0.9V / 1024$)</p> $RAM_R_AM_MIN_RAW = (FWD_R_AM_MIN + AM_CORR_FACTOR) / AM_GRADIENT$ $AM_CORR_FACTOR = (SHR_ZCD_LVL - 796) * 0.9V / 1024$ <p>SHR_ZCD_LVL is the current zero cross detection level (LSB ≈ 0.88mV).</p>
Prerequisite	AM calibration measurements must be done before, with valid results in FDB_US_AMC_VH and FDB_US_AMC_VL. The zero cross detection level SHR_ZCD_LVL must be adjusted. All these parameters are assumed to change slowly enough to be considered constant between two AM calibrations.
Input parameters / register values	FWD_R_AM_MIN: User given lower amplitude limit in mV (fd 16) only <i>ROM_PP1_AM_CALIB</i> : FWD_R_VCAL_TYP: reference amplitude in mV (integer)
Output/Return value	X = <i>RAM_R_AM_MIN_RAW</i> in HSC periods: raw lower amplitude limit for direct measurement comparison (fd 16) Y = <i>RAM_R_AMC_GRADIENT</i> in mV/HSC period, (fd 16) <i>RAM_R_AMC_OFFSET</i> in mV: (fd 16) parameters for calculation of amplitudes in mV from FDB_US_AM_U and FDB_US_AM_D (use raw values in HSC periods)
Temporary RAM	<i>RAM_R_VA9_AMC_DIFF</i>
Permanent RAM	FWD_R_AM_MIN, <i>RAM_R_AM_MIN_RAW</i> , <i>RAM_R_AMC_GRADIENT</i> , <i>RAM_R_AMC_OFFSET</i> ; only <i>ROM_PP1_AM_CALIB</i> : <i>FWD_R_VCAL_TYP</i>
Routines used	<i>ROM_FORMAT1_64_TO_32BIT</i>
Unchanged registers	(all registers X, Y, Z and R are in use)

15.5.3 Pulse Interface and Flow Volume

ROM routine name	<i>ROM_CFG_PULSE_IF</i>
Description	This routine configures the pulse interface with the parameters calculated from the given configuration. The routine thus prepares the use of <i>ROM_PI_UPD</i> for flow output over the pulse interface. The implemented configuration aims at generating not more than one pulse per auto update, to prevent multiple pulses.
Prerequisite	-
Input parameters / register values	X : Number of pulses per liter (<i>PULSE_PER_LITER</i>) (integer) Y : Maximum flow in liter per hour (<i>MAX_FLOW</i>) (integer) Z : $MEAS_RATE_INV = ((TS_CM + 1) * TS_CT * TOF_RATE) / 1024$ (fd 16) - <i>TS_CM</i> : Cycle mode (Task sequencer) - <i>TS_CT</i> : Cycle time (Task sequencer) - <i>TOF_RATE</i> : Time of Flight Rate - <i>HS_CLK</i> = 4 MHz
Output/Return value	Pulse interface registers <i>SHR_PI_AU_NMB</i> , <i>SHR_PI_AU_TIME</i> , <i>SHR_PI_TPA</i> and the <i>PI_TPW</i> bits in <i>CR_PI</i> are configured. X: <i>FLOW_SCALE_FACT</i> = $PULSE_PER_LITER * MEAS_RATE_INV$ (fd 16) The <i>FLOW_SCALE_FACT</i> is used to be multiplied with the actual flow (l/h) for updating the pulse interface. It is typically applied by moving it to <i>RAM_R_FLOW_SCALE_FACT</i> before calling <i>ROM_PI_UPD</i> .
Temporary RAM	<i>RAM_R_VA4_FLOWVAR_2</i> , <i>RAM_R_VA5_FLOWVAR_1</i>
Permanent RAM	-
Routines used	<i>ROM_DIV_BY_SHIFT</i>
Unchanged registers	(all registers X, Y, Z and R are in use)

ROM routine name	<i>ROM_PI_UPD</i>
Description	Pulse Interface Update routine This routine calculates the number of pulses equivalent to a given flow (in l/h), based on the configuration settings, and initializes it in the <i>SHR_PI_NPULSE</i> register.
Prerequisite	<i>ROM_CFG_PULSE_IF</i> must be called ONCE before using this routine, and the resulting <i>FLOW_SCALE_FACTOR</i> must be moved to <i>RAM_R_FLOW_SCALE_FACT</i> .
Input parameters / register values	X : Flow in liter per Hour (fd 16) <i>RAM_R_FLOW_SCALE_FACT</i> must contain <i>FLOW_SCALE_FACT</i> (fd 16) (using <i>ROM_CFG_PULSE_IF</i> routine, see above)
Output/Return value	<i>SHR_PI_NPULSE</i> register is updated with the Number of Pulses equivalent to the current flow in l/h.
Temporary RAM	<i>RAM_R_VA5_FLOWVAR_1</i>
Permanent RAM	<i>RAM_R_FLOW_SCALE_FACT</i>
Routines used	-
Unchanged registers	(all registers X, Y, Z and R are in use)

ROM routine name	<i>ROM_PP_PI_UPD</i>
Description	This routine organizes the update of the pulse interface by calling <i>ROM_PI_UPD</i> with <i>RAM_R_FLOW_LPH</i> as input argument.
Prerequisite	-
Input parameters / register values	<i>RAM_R_FLOW_LPH</i> : current flow in l/h (fd 16)
Output/Return value	SHR_PI_NPULSE register is updated with the Number of Pulses equivalent to the current flow in l/h.
Temporary RAM	-
Permanent RAM	<i>RAM_R_FLOW_LPH</i>
Routines used	<i>ROM_PI_UPD</i>
Unchanged registers	(all registers X, Y, Z and R are in use)

ROM routine names	<i>ROM_SAVE_FLOW_VOLUME / ROM_SAVE01_FLOW_VOLUME</i> <i>ROM_SAVE1_FLOW_VOLUME / ROM_SAVE11_FLOW_VOLUME</i> <i>ROM_SAVE2_FLOW_VOLUME / ROM_SAVE21_FLOW_VOLUME</i>			
Description	<p>These routines are used to calculate the flow volume of one measurement cycle from the present flow (usually in l/h), and store it cumulatively to flow volume (usually in cubic meter).</p> <p>Operation: $FLOW_LPH * VOLUME_FACTOR$ (V.F.) -> flow (e.g. in cubic meters) per cycle -> accumulate (add to/subtract from) the flow volume (integer and fractional part)</p> <p>Calculation steps for <i>VOLUME_FACTOR</i> for liter -> l/h: a) $FLOW_LPH/3600$ -> <i>FLOW_LPS</i> b) $FLOW_LPS * MEAS_RATE_INV$ -> <i>FLOW</i> in liter per meas. cycle c) Flow in liter per meas. cycle/1000 -> Flow in cubic meter per cycle d) Flow in cubic meter per cycle -> add it to the Flow Volume (integer and fractional part)</p> <p>Actual calculation of the <i>VOLUME_FACTOR</i> from configuration data: $VOLUME_FACTOR = \frac{[(TS_CM + 1) * TS_CT * TOF_RATE]}{[1024 * 3600 * 1000]}$</p> <p>Here the following configuration parameters are used: - <i>TS_CM</i> : Cycle mode (Task sequencer) - <i>TS_CT</i>: Cycle time (Task sequencer) - <i>TOF_RATE</i>: Time of Flight Rate - <i>HS_CLK</i> =4 MHz</p> <p>The actual decision on units is done by the user through defining the appropriate input scaling (l/h or something else) and <i>VOLUME_FACTOR</i>.</p>			
Difference between the routine calls: The routines operate either on usual RAM or on firmware data (FWD) RAM, which is useful for regular permanent storage. Their input comes from X, Y or RAM, and can have different meaning (see below).	ROM routine name	RAM region:	input from:	parameter meaning:
	¹ <i>ROM_SAVE_FLOW_VOLUME</i>	RAM	RAM	Flow & V.F.
	² <i>ROM_SAVE1_FLOW_VOLUME</i>	RAM	X,Y	Flow & V.F.
	³ <i>ROM_SAVE2_FLOW_VOLUME</i>	FWD	X,Y	Flow & V.F.
	⁵ <i>ROM_SAVE01_FLOW_VOLUME</i> , ⁶ <i>ROM_SAVE11_FLOW_VOLUME</i>	RAM	X,Y	Volume

ROM routine names	<i>ROM_SAVE_FLOW_VOLUME / ROM_SAVE01_FLOW_VOLUME</i> <i>ROM_SAVE1_FLOW_VOLUME / ROM_SAVE11_FLOW_VOLUME</i> <i>ROM_SAVE2_FLOW_VOLUME / ROM_SAVE21_FLOW_VOLUME</i>			
	⁷ <i>ROM_SAVE21_FLOW_VOLUME</i> ,	FWD	X,Y	Volume
Prerequisite depending on actual call, see above	The RAM cells <i>RAM_R_FLOW_VOLUME_INT</i> and <i>RAM_R_FLOW_VOLUME_FRACTION</i> must contain the flow volume of previous measurements. ^{1,4} RAM cells used for input must contain the right parameter (see above)			
Input parameters / register values: The meaning of input depends on the actual call, see above.	^{2,3} X or ⁴ <i>FWD_R_FLOW_LPH</i> or ¹ <i>RAM_R_FLOW_LPH</i> : the present flow value (fd 16, usually in l/h) or ^{5,6,7,8} X: the additional flow volume (fd 32, usually cubic meters) ^{2,3} Y or ⁴ <i>FWD_R_VOLUME_FACTOR</i> or ¹ <i>FWD_R_VOLUME_FACTOR</i> : <i>VOLUME_FACTOR</i> (fd 44; note that this is usually a very small number, so the upper 12 fractional digits are zero and "above" the actual data word) or ^{5,6,7,8} Y = X			
Output/Return value Output may be in usual RAM or FWD, depending on actual call, see above.	64-bit Volume Flow result in RAM Addresses ^{1,2,5,6} <i>RAM_R_FLOW_VOLUME_INT</i> (integer, usually in cubic meters) <i>RAM_R_FLOW_VOLUME_FRACTION</i> (fd 32, usually in cubic meters) or ^{3,4,7,8} <i>FWD_R_FLOW_VOLUME_INT</i> (integer, usually in cubic meters) <i>FWD_R_FLOW_VOLUME_FRACTION</i> (fd 32, usually in cubic meters)			
Temporary RAM	-			
Permanent RAM depending on actual call, see above	^{1,2,5,6} <i>RAM_R_FLOW_VOLUME_INT, RAM_R_FLOW_VOLUME_FRACTION</i> or ^{3,4,7,8} <i>FWD_R_FLOW_VOLUME_INT, FWD_R_FLOW_VOLUME_FRACTION;</i> ¹ <i>RAM_R_FLOW_LPH, RAM_R_VOLUME_FACTOR</i> or ⁴ <i>RAM_R_FLOW_LPH, RAM_R_VOLUME_FACTOR</i>			
Routines used	-			
Unchanged registers	(all registers X, Y, Z and R are in use)			

15.5.4 Temperature Measurement

ROM routine name	<i>ROM_TEMP_POLYNOM</i>
Description	This routine calculates the temperature of a PT sensor in °C using the polynomial approximation Temperature T = $\{[(PT_COEFF2 * PT_RATIO) + PT_COEFF1] * PT_RATIO\} + PT_COEFF0$ where <i>PT_RATIO</i> = <i>PT_RES</i> / <i>R0</i> of the PT sensor <i>PT_COEFF2</i> = 10.115 (fd 16) <i>PT_COEFF1</i> = 235.57 (fd 16) <i>PT_COEFF0</i> = -245.683 (fd 16) This polynomial resembles the inverted R(T)-polynomial for PT (according to IEC 60751:2008) within 3mK accuracy between 0°C and 100°C.
Prerequisite	-
Input parameters / register values	X: <i>PT_RATIO</i> (fd 16)

ROM routine name	<i>ROM_TEMP_POLYNOM</i>
Output/Return value	X: Temperature in °C (fd 16)
Temporary RAM	-
Permanent RAM	-
Routines used	<i>ROM_FORMAT1_64_TO_32BIT</i>
Unchanged registers	(all registers X, Y, Z and R are in use)

ROM routine name	<i>ROM_TEMP_LINEAR_FN</i>
Description	<p>This routine is used to calculate the temperature of any sensor as a linear function of sensor resistance using the nominal resistance and sensor slope. Applied formula:</p> $\text{Temperature } T = (\text{Sensor Resistance at } T[^\circ\text{C}] - \text{Nominal resistance}) / \text{RAM_R_VAF_REF_RES_VAL} * \text{Sensor slope}$
Prerequisite	-
Input parameters / register values	X: Nominal resistance (fd 16) Y: Sensor slope (fd 16) Z: Sensor resistance (fd 16) RAM_R_VAF_REF_RES_VAL: Reference Resistance (fd 16)
Output/Return value	X: Temperature (fd 16)
Temporary RAM	-
Permanent RAM	<i>RAM_R_VAF_REF_RES_VAL</i>
Routines used	<i>ROM_FORMAT1_64_TO_32BIT</i>
Unchanged registers	(all registers X, Y, Z and R are in use)

ROM routine name	<i>ROM_TM_SUM_RESULT</i>
Description	<p>In sensor temperature measurement, each single time measurement is repeated after some fixed delay time. Averaging these results eliminates a possible 50/60 Hz disturbance. This routine sums up all duplicate measurements (from the frontend data buffer in cells for measurement 1 and 2) and stores it in the frontend data buffer (in the cells of measurement 1).</p> <p>The routine works for all 2-wire or 4-wire temperature measurement results, it reads the configuration from CR_TM.</p>
Prerequisite	The routine should be called directly after a temperature measurement.
Input parameters / register values	All frontend data buffer (FDB) cells (addresses 0x80 – 0x9B)
Output/Return value	The added results overwrite the original measurements in the first measurement FDB cells (addresses 0x80- 0x84 and 0x8A - 0x92)
Temporary RAM	-
Permanent RAM	-
Routines used	-
Unchanged registers	(all registers X, Y, Z and R are in use)

15.5.5 Interface Communication

ROM routine name	<i>ROM_I2C_ST</i>
Description	I2C Start Byte Transfer: Initiate an I2C read or write operation, depending on preceding i2crw-command (1=read, 0=write).
Prerequisite	I2C slave device address must be defined in CR_PI_I2C. Read or write direction must be defined by command i2crw (1=read, 0=write).
Input parameters / register values	-
Output/Return value	SRR_MSC_STF contains a flag to indicate I2C acknowledge (Bit I2C_ACK).
Temporary RAM	-
Permanent RAM	-
Routines used	-
Unchanged registers	X, Y, Z, R

ROM routine name	<i>ROM_I2C_BT</i>
Description	I2C Byte Transfer: Read or write one byte of data over I2C, depending on preceding i2crw-command (1=read, 0=write).
Prerequisite	I2C slave device address must be defined in CR_PI_I2C. Read or write direction must be defined by command i2crw (1=read, 0=write).In write case, R must point to the desired input RAM cell, and usually the bytedir and bytesel command must be used to select the desired byte part of the 4Byte-word in the RAM cell (use bytedir 0 and bytesel 4, 5, 6 or 7).
Input parameters / register values	R is not changed, but used as pointer to the data register by the chip hardware in write case (see "Prerequisite").
Output/Return value	SRR_MSC_STF contains a flag to indicate I2C acknowledge (Bit I2C_ACK). In read case, SRR_E2P_RD contains the transferred byte. For storing the received byte in a 4Byte RAM cell, use the bytedir and bytesel command to select the desired byte position (use bytedir 1 and bytesel 4, 5, 6 or 7, and the or command to add a new byte to a partly filled 4Byte-word).
Temporary RAM	-
Permanent RAM	-
Routines used	-
Unchanged registers	X, Y, Z, R

ROM routine name	<i>ROM_I2C_LT</i>
Description	I2C Byte Transfer: Read or write the last transmitted byte of data over I2C, depending on preceding i2crw-command (1=read, 0=write). The routine sends the stop signal at the end of transmission.
Prerequisite	I2C slave device address must be defined in CR_PI_I2C. Read or write direction must be defined by command i2crw (1=read, 0=write).In write case, R must point to the desired input RAM cell, and usually the bytedir and bytesel command must be used to select the desired byte part of the 4Byte-word in the RAM cell (use bytedir 0 and bytesel 4, 5, 6 or 7).
Input parameters / register values	R is not changed, but used as pointer to the data register by the chip hardware in write case (see "Prerequisite" below).

ROM routine name	<i>ROM_I2C_LT</i>
Output/Return value	SRR_MSC_STF contains a flag to indicate I2C acknowledge (Bit I2C_ACK). In read case, SRR_E2P_RD contains the transferred byte. For storing the received byte in a 4Byte RAM cell, use the bytedir and bytesel command to select the desired byte position (use bytedir 1 and bytesel 4, 5, 6 or 7, and the or command to add a new byte to a partly filled 4Byte-word).
Temporary RAM	-
Permanent RAM	-
Routines used	-
Unchanged registers	X, Y, Z, R

ROM routine name	<i>ROM_I2C_DWORD_WR</i>
Description	This routine is used to write a 4 byte-word of data to the I2C slave device, starting at a given memory address. The device address for the I2C device is taken automatically from I2C slave address of CR_PI_I2C. The routine starts with switching on the HSC and switches it off after transmission. It thus causes a high current consumption and has a long runtime. In power critical applications, its use should thus be restricted. Timing properties of the I2C slave should also be considered (e.g. long storing times after some data transmission).
Prerequisite	-
Input parameters / register values	X: 16-bit memory address (start) where the data has to be written Y: 4 bytes of data
Output/Return value	The four bytes from Y are written to the I2C slave, starting at the address given in X. In case of an error, the transmission was not acknowledged by the I2C slave device and bit BNR_I2C_ABORT of RAM_R_FW_STATUS is set.
Temporary RAM	-
Permanent RAM	RAM_R_VA1_I2CADDR, RAM_R_VA2_I2CDATA, RAM_R_FW_STATUS
Routines used	ROM_I2C_ST, ROM_I2C_BT, ROM_I2C_LT
Unchanged registers	Z

ROM routine name	<i>ROM_I2C_BYTE_WR</i>
Description	This routine is used to write a single of data to the I2C slave device to given memory address. The device address for the I2C device is taken automatically from I2C slave address of CR_PI_I2C. The routine starts with switching on the HSC and switches it off after transmission. It thus causes a high current consumption and has a long runtime. In power critical applications, its use should thus be restricted. Timing properties of the I2C slave should also be considered (e.g. long storing times after some data transmission).
Prerequisite	-
Input parameters / register values	X: 16-bit address where the data has to be written Y: 1 byte of data (B0 of the 32 bit-word in Y is transferred)
Output/Return value	Byte B0 from Y is written to the I2C slave to the address given in X. In case of an error, the transmission was not acknowledged by the I2C slave device and bit BNR_I2C_ABORT of RAM_R_FW_STATUS is set.
Temporary RAM	-
Permanent RAM	RAM_R_VA1_I2CADDR, RAM_R_VA2_I2CDATA, RAM_R_FW_STATUS
Routines used	ROM_I2C_ST, ROM_I2C_BT, ROM_I2C_LT
Unchanged registers	Z

ROM routine name	<i>ROM_I2C_DWORD_RD</i>
Description	<p>This routine is used to sequentially read 4 data bytes from the I2C slave device, starting at a given memory address. The device address for the I2C device is taken automatically from I2C slave address of CR_PI_I2C.</p> <p>The routine starts with switching on the HSC and switches it off after transmission. It thus causes a high current consumption and has a long runtime. In power critical applications, its use should thus be restricted. Timing properties of the I2C slave should also be considered.</p>
Prerequisite	-
Input parameters / register values	X: 16-bit memory address (start) where the data is read.
Output/Return value	<p>X: 4 bytes of read data</p> <p>In case of an error, the transmission was not acknowledged by the I2C slave device and bit BNR_I2C_ABORT of <i>RAM_R_FW_STATUS</i> is set.</p>
Temporary RAM	-
Permanent RAM	<i>RAM_R_VA1_I2CADDR, RAM_R_FW_STATUS</i>
Routines used	<i>ROM_I2C_ST, ROM_I2C_BT, ROM_I2C_LT</i>
Unchanged registers	Z

ROM routine name	<i>ROM_I2C_BYTE_RD</i>
Description	<p>This routine is used to sequentially read one single byte from the I2C slave device from a given memory address. The device address for the I2C device is taken automatically from I2C slave address of CR_PI_I2C.</p> <p>The routine starts with switching on the HSC and switches it off after transmission. It thus causes a high current consumption and has a long runtime. In power critical applications, its use should thus be restricted. Timing properties of the I2C slave should also be considered.</p>
Prerequisite	-
Input parameters / register values	X: 16-bit memory address where the data is read.
Output/Return value	<p>X: Single data byte, stored in byte B0 of X</p> <p>In case of an error, the transmission was not acknowledged by the I2C slave device and bit BNR_I2C_ABORT of <i>RAM_R_FW_STATUS</i> is set.</p>
Temporary RAM	-
Permanent RAM	<i>RAM_R_VA1_I2CADDR, RAM_R_FW_STATUS</i>
Routines used	<i>ROM_I2C_ST, ROM_I2C_BT, ROM_I2C_LT</i>
Unchanged registers	Z

15.5.6 Housekeeping

ROM routine name	<i>ROM_CPU_CHK</i>
Description	Check kind of CPU request: This routine is called by hardware design after any Post Processing (PP) request. It checks the system handling register SHR_CPU_REQ and calls the requested routines.
Prerequisite	-

ROM routine name	<i>ROM_CPU_CHK</i>
Input parameters / register values	Flag settings in SHR_CPU_REQ
Output/Return value	The routine directly calls firmware (MK_CPU_REQ), boot loader (<i>ROM_BLD</i>) or checksum generation (<i>ROM_CSM</i>) using goto. These routines generally return, after execution, to the start of <i>ROM_CPU_CHK</i> to see if SHR_CPU_REQ has changed in the meantime.
Temporary RAM	(depending on called routines)
Permanent RAM	(depending on called routines)
Routines used	MK_CPU_REQ, <i>ROM_BLD</i> , <i>ROM_CSM</i>
Unchanged registers	(all registers X, Y, Z and R are in use)
Call Address	61440 / 0xF000

ROM routine name	<i>ROM_USER_RAM_INIT</i>
Description	This ROM routine is used to initialize the entire user RAM with 0 as default value.
Prerequisite	-
Input parameters / register values	-
Output/Return value	All 176 user RAM cells (addresses 0x00 - 0xAF) are initialised to 0
Temporary RAM	All 176 user RAM cells
Permanent RAM	-
Routines used	-
Unchanged registers	Y, Z

15.5.7 High-speed Oscillator

ROM routine name	<i>ROM_SCALE_WITH_HSC</i>
Description	Routine to scale the input parameter with the HS Clock Calibration factor (<i>RAM_R_HSC_SCALE_FACT</i>) Scaled output = Input / <i>RAM_R_HSC_SCALE_FACT</i>
Prerequisite	<i>RAM_R_HSC_SCALE_FACT</i> must have the valid HS Clock Calibration factor (Use <i>ROM_HSC_CALIB</i> routine)
Inputs	X - Parameter to be scaled (any format, integer value < 2 ³⁰)
Output	X - Scaled parameter (same format as input X)
Temporary RAM	-
Permanent RAM	<i>RAM_R_HSC_SCALE_FACT</i>
Routines used	-
Unchanged registers	Z

15.5.8 Configuration

ROM routine name	<i>ROM_RECFG_TOF_RATE</i>
Description	Routine to reconfigure TOF_RATE generator for less measurements, depending on the parameter N: $\text{New TOF_RATE} = \text{Original TOF_RATE} * N$ The actual measurement is done only every Nth time. The routine manipulates SHR_TOF_RATE for this adjustment. It is only usable for TOF_RATES up to 31.
Prerequisite	-
Input parameters / register values	X - Factor N for lowering the TOF_RATE
Output/Return value	Z - Original TOF_RATE value from SHR_TOF_RATE Register TOF_RATE bits in SHR_TOF_RATE Register are changed (see description). Bit BNR_TOF_RATE_REDUCED is set in RAM_R_FW_STATUS register to indicate that the TOF_RATE was reconfigured.
Temporary RAM	-
Permanent RAM	RAM_R_FW_STATUS
Routines used	-
Unchanged registers	(all registers X, Y ,Z and R are in use)

15.5.9 Mathematics

ROM routine name	<i>ROM_FORMAT1_64_TO_32BIT</i>
Description	Routine to format a 64-bit value (in Y and X) into a 32 bit result with 16 integer + 16 fractional bits This can be used to format 64 bit multiplication results with 32 integer + 32 fractional bits into a usual 16 word. The MSB of the integer part in Y defines the sign, as if Y and X would be a single 64 bit word. This routine has the same function as <i>ROM_FORMAT_64_TO_32BIT</i> , but is essentially faster at the cost of one temporary RAM cell.
Prerequisite	-
Input parameters / register values	Y: Higher 32 bits of the value (integer part with maximum 16 significant bits, signed !) X: Lower 32 bits of value (fractional part, unsigned !)
Output/Return value	X: 32-bit result with 16 Integer + 16 fractional bits (fd 16)
Temporary RAM	<i>RAM_R_V1F_SHIFT</i>
Permanent RAM	-
Routines used	-
Unchanged registers	Z

ROM routine name	<i>ROM_DIV_BY_SHIFT</i>
Description	Routine to perform the division of a value Y by X, where $X=2^N$ is an integer power of two. Result = $Y/X = Y/2^N$

ROM routine name	<i>ROM_DIV_BY_SHIFT</i>
Prerequisite	-
Input parameters / register values	X - Divisor (denominator) = 2 ^N value (integer) Y - Dividend (numerator) (any format)
Output/Return value	Y - Result of division (same format as input Y)
Temporary RAM	-
Permanent RAM	-
Routines used	-
Unchanged registers	Z, R

ROM routine name	<i>ROM_SQRT</i>
Description	<p>This routine is used to evaluate the square root using the Newton method accurately for values in the range (196 ≤ X ≤ 5476).</p> <p>sqrt(x) is calculated by iterating the following steps</p> <ol style="list-style-type: none"> 1. Choose GUESS = 32; iteration counter = 3 2. Find x/GUESS (1st division by shift and normal division for next 2 iterations) 3. Average of GUESS and x/GUESS 4. GUESS ← Average ; Decrement iteration counter 5. Repeat steps 2-4 till counter = 0 6. SquareRoot = Last GUESS value <p>When used in flow temperature calculation, values of X between 196 = (14²) and 5476 = (74²) result in temperature errors < 1°C. This X range is equivalent to a temperature range of 60°C to 0°C.</p>
Prerequisite	-
Input parameters / register values	X : Radicand (fd 16, 196 ≤ X ≤ 5476)
Output/Return value	: Square root of input X (fd 16)
Temporary RAM	<i>RAM_R_V2F_SQRT_X, RAM_R_V2E_SQRT_Y</i>
Permanent RAM	-
Routines used	-
Unchanged registers	(all registers X, Y, Z and R are in use)

ROM routine name	<i>ROM_LINEAR_CORRECTION / ROM_LINEAR1_CORRECTION</i>
Description	<p>Linear interpolation of a coefficient over any parameter (here: temperature), knowing the coefficient value at two points and given the current value of the parameter (stored in <i>RAM_R_VA3_CURRENT_THETA</i>)</p> <p>Applied formula: Result = $\text{slope} * (\text{RAM_R_VA3_CURRENT_THETA} - \text{Parameter@Point1}) + \text{offset}$ $= X * (\text{RAM_R_VA3_CURRENT_THETA} - Y) + Z$</p> <p>When the coefficient value is known at two parameter points, slope and offset can be calculated as</p> $\text{slope} = (\text{Coefficient@Point2} - \text{Coefficient@Point1}) / (\text{Parameter@Point2} - \text{Parameter@Point1})$ $\text{offset} = \text{Coefficient@Point1}$ <p>The routine has an alternative call address <i>ROM_LINEAR1_CORRECTION</i>, where the RAM cell of the current parameter value can be freely chosen.</p>
Prerequisite	-
Input parameters / register values	<p>X : Slope between the two points (fd 16) Y : Parameter@Point1 (fd 16) Z : Offset (fd 16)</p> <p><i>RAM_R_VA3_CURRENT_THETA</i> current parameter (temperature) (fd 16) With alternative call <i>ROM_LINEAR1_CORRECTION</i>: R : Pointer to RAM cell with current parameter value</p>
Output/Return value	X: Coefficient corrected linearly over temperature
Temporary RAM	-
Permanent RAM	<i>RAM_R_VA3_CURRENT_THETA</i> (none when <i>ROM_LINEAR1_CORRECTION</i> is used)
Routines used	<i>ROM_FORMAT1_64_TO_32BIT</i>
Unchanged registers	(all registers X,Y,Z and R are in use)

ROM routine name	<i>ROM_FIND_SLOPE</i>
Description	<p>This routine is used to find the slope between two points, given the coefficient and corresponding parameter values at the two points (for example two correction factors over two temperatures).</p> <p>The routine is used as preparation for any linear interpolation.</p> <p>Basically, all input- and output-values have the same format. Due to internal calculations, the format must be chosen such that the four leading bits of the parameters are zero, and at least 12 leading bits of the resulting slope are zero, too. Otherwise the result will be wrong.</p>
Prerequisite	Parameter interval (<i>RAM_R_VA5_FLOWVAR_1</i> – Z) must be numerically larger than $(Y - X)/23$, to avoid overflow in an internal division.
Input parameters / register values	<p>X : Coefficient at point 1 (any format, typically 16 fd) Y : Coefficient at point 2 (same format as X) Z : Parameter at point 1 (same format as X, 4 leading bits must be 0) <i>RAM_R_VA5_FLOWVAR_1</i>: Parameter at point 2 (same format as Z)</p>
Output/Return value	X : Slope (same format as input X; 12 leading bits are always 0)
Temporary RAM	-
Permanent RAM	<i>RAM_R_VA5_FLOWVAR_1</i>
Routines used	-
Unchanged registers	(all registers X, Y, Z and R are in use)

15.6 Amplitude Calculation

The raw data of the amplitude measurement and amplitude calibration measurement are stored in the frontend data buffer:

$$FDB_US_AM_U \equiv AM_{Up}[ns]$$

$$FDB_US_AM_D \equiv AM_{Down}[ns]$$

$$FDB_US_AMC_VH \equiv AMC_{High}[ns]$$

$$FDB_US_AMC_VL \equiv AMC_{low}[ns]$$

The calibrated amplitudes in Volt are calculated according following fomulas:

Equation 1:

$$V_{Up}[mV] = AMC_{Gradient} \left[\frac{mV}{ns} \right] \times AM_{Up}[ns] - AMC_{Offset} \left[ns \frac{mV}{ns} \right]$$

$$V_{Down}[mV] = AMC_{Gradient} \left[\frac{mV}{ns} \right] \times AM_{Down}[ns] - AMC_{Offset} \left[ns \frac{mV}{ns} \right]$$

With

$$AMC_{Gradient} \left[\frac{mV}{ns} \right] = \frac{V_{Cal}[mV]}{AMC_H[ns] - AMC_L[ns]}; V_{Cal} = typ. V_{ref}/2 = 350mV$$

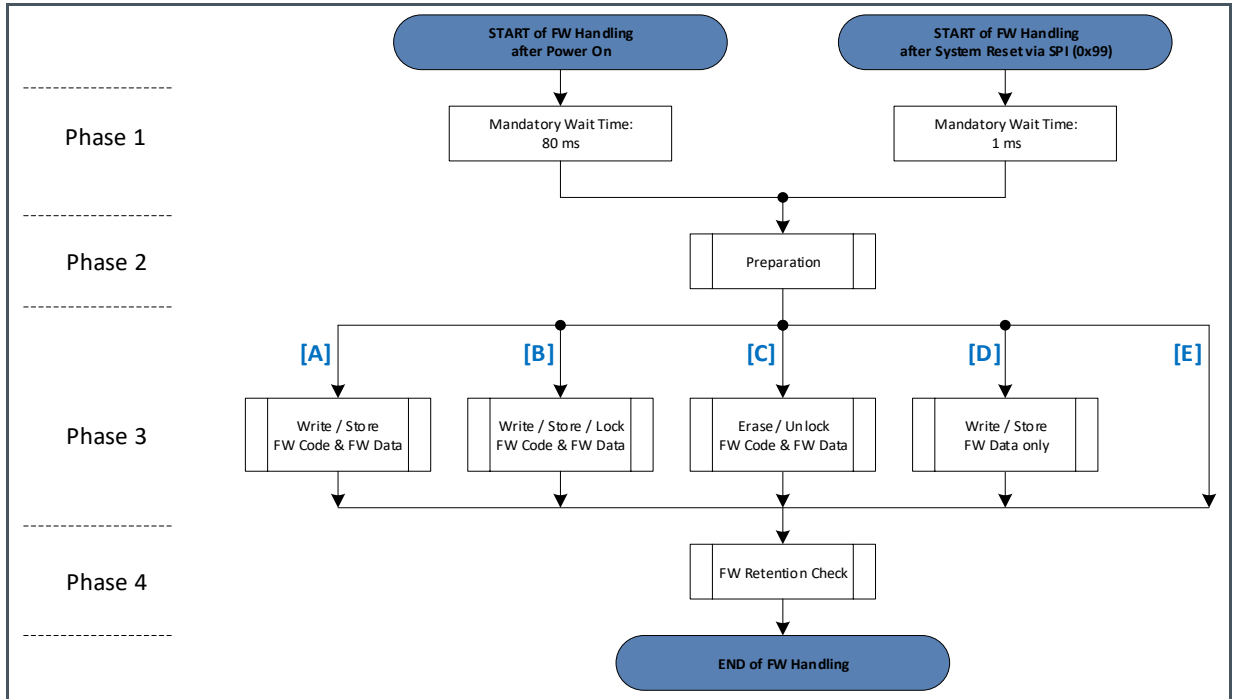
$$AMC_{Offset}[mV] = (2 \times AMC_L[ns] - AMC_H[ns]) \times AMC_{Gradient} \left[\frac{mV}{ns} \right]$$

15.7 Firmware Handling Procedures

For FW handling, following procedures can be distinguished:

[A]	Write / Store	FW Code & FW Data
[B]	Write / Store / Lock	FW Code & FW Data
[C]	Erase / Unlock	FW Code & FW Data
[D]	Write / Store	FW Data only
[E]	Verify	FW Code & FW Data

Figure :
Firmware handling



FW handling procedures needs 3 or 4 phases to be properly performed:

- Phase 1: Wait time (dependent on start option)
- Phase 2: Preparation (common for all procedures)
- Phase 3: FW Update (different for procedures [A], [B], [C], [D])
- Phase 4: FW Retention Check (common for all procedures)

Phase 3 is not needed for procedure [E].

START of any FW handling procedure is independent from current status of : Measure cycle mode can be either in disabled or in enabled state.

After END of any FW handling procedure the is in IDLE state.

Then flow meter mode can be triggered by executing a system reset (**RC_SYS_RST**) or a system init (**RC_SYS_INIT**).

The following recommended FW handling procedures are timer based as well based on interrupt handling.

15.7.1 Phase1: Initial Wait Time

Initial wait time depends on start option:

- Power On

- System Reset via SPI

Figure :
Start with Power On

Step	Description	SPI Opcodes & Data
1	Power On of AS6040	
2	Mandatory wait time: At least 80 ms	

The wait time after Power On is derived by release of internal power on resets.
 After this wait time SPI communication is possible with AS6040.

Figure :
Start with System Reset

Step	Description	SPI Opcodes & Data
1	Execute System Reset by sending RC_SYS_RST	0x99
2	Mandatory wait time: At least 1 ms	

15.7.2 Phase 2: Preparation

The preparation phase is common for all procedures and sets device in a stable idle state before starting a FW update.

Figure :
Preparation

Step	Description	SPI Opcodes & Data
1	Request Bus Master	0x88
2	Disable Watchdog by writing code to CR_WD_DIS	0x5A 0xC0 0x48DBA399
3	Set RESTART_EN by writing code to CR_TRIM2 <i>Sets also recommended CPU_SPEED</i>	0x5A 0xCD 0x40100000
4	Disable BG, Charge Pump & Post Processing settings and set Measure Cycle Time to max. value by writing code to CR_MR_TS	0x5A 0xC6 0x00001000
5	Execute Supervisor Init by sending RC_SV_INIT <i>Clears task sequencer and sets MCT = OFF</i>	0x9C
6	Mandatory wait time: At least 1 ms	

Step	Description	SPI Opcodes & Data
7	Request Dummy Measurement Task <i>To clear pending HCC/ZCC calibration due to SV_INIT</i>	0xDA 0x00
8	Mandatory wait time: At least 1 ms	
9	Clear Interrupt, Error & FEP Status Flag by writing to SHR_EXC	0x5A 0xDD 0x00000007
10	Execute Reset Flag Clear in SYS_STATUS by sending RC_RF_CLR	0x89
11	Enable important interrupt & error flags in CR_IEH [19,17,15,14,13,12] for following FW transactions	0x5A 0xC4 0x000AF000
12	Release Bus Master	0x87
13	Perform Recall of Firmware Data via FWD_RECALL (bit 20) in SHR_RC	<i>See subroutine "Perform FW Transaction"</i>
14	Perform Recall of Firmware Code via FWC_RECALL (bit 19) in SHR_RC	<i>See subroutine "Perform FW Transaction"</i>
IDLE state reached & Ready for FW Update		

Remarks:

- Step 14
Can be skipped if FW update **[D]** (Write / Store of FW Data only) is performed subsequently

15.7.3 Phase 3: FW Update

To fulfill specified NVRAM parameters “Data Retention” and “Endurance”, Vcc supply has to be in the range of 3.0 – 3.6 V when FW is updated.

[A]: Write / Store FW Code & FW Data

[B]: Write / Store / Lock FW Code & FW Data

Figure :

[A] or **[B]**:: Write / Store / (Lock) FW Code & FW Data only

Step	Description	SPI Opcodes & Data
1	Get range of FW user code by reading SRR_FWU_RNG	0x7A 0xEC <i>read data (Bit [31:0])</i>
2	Write Firmware Code User FWCU to FWC addresses 32.....[FWU_RNG-1]	0x5C 0x00 0x20 0xXX 0xXX

Step	Description	SPI Opcodes & Data
3	Write Firmware Data User FWDU to FWD addresses 2....119	0x5B 0x02 0XXXXXXXXX 0XXXXXXXXX
4	After calculation: Write expected checksums for FWCU & FWDU to FWD addresses 0....1: FWCU_CS_EXP , FWDU_CS_EXP	0x5B 0x00 0XXXXXXXXX 0XXXXXXXXX
5	[A] : Write / Store FW Code & FW Data Perform Store of Firmware Code & Data via FW_STORE_ALL (bit 16) in SHR_RC	See subroutine "Perform FW Transaction"
	[B] : Write / Store / Lock FW Code & FW Data Perform Store of Firmware Code & Data with Lock via FW_STORE_LOCK (bit 17) in SHR_RC	See subroutine "Perform FW Transaction"

Remarks:

- Step 1 & 2
Writing FW Code up to [FWU_RNG-1] is not required in any case. For a one-time customer update (e.g. in production flow), the Firmware Code can be written up to last address of customer code only, as user area is filled with 0x00 up to [FWU_RNG-1] when delivered to customer.
- Step 4
Writing checksums separately facilitates the generation of checksums before in steps 2 & 3 while code and data are transferred. If checksums are generated before transferring of code and data, steps 3 & 4 can be combined to 1 block transfer: 0x5B 0x00 0XXXXXXXXX 0XXXXXXXXX
- Step 5
This step is the only difference between FW update **[A]** and **[B]**. All steps before are common.

Figure :

[C]: Erase / Unlock FW Code & FW Data

Step	Description	SPI Opcodes & Data
1	Perform Erase of Firmware Code & Data via FW_ERASE (bit 18) in SHR_RC	See subroutine "Perform FW Transaction"

Figure :
[D]: Write / Store FW Data only

Step	Description	SPI Opcodes & Data
1	Write Firmware Data User FWDU to FWD addresses 2....119	0x5B 0x02 0XXXXXXXXX 0XXXXXXXXX
2	After calculation: Write expected checksum for FWDU to FWD address 1: FWDU_CS_EXP	0x5B 0x01 0XXXXXXXXX
3	Perform Store of Firmware Data via FWD_STORE (bit 22) in SHR_RC	See subroutine "Perform FW Transaction"

Remarks:

The previous recommended sequences for [A] – [D] allow minimum write access times by addressing user parts only (FWCU & FWDU). Alternatively whole memory space can be addressed without any affect on applied FW sections (FWCA & FWDA)

15.7.4 Phase 4: FW Retention Check

Figure :
FW rention check

Step	Description	SPI Opcodes & Data
1	Perform Recall of Firmware Code via FWC_RECALL (bit 19) in SHR_RC	See subroutine "Perform FW Transaction"
2	Perform Recall of Firmware Data via FWD_RECALL (bit 20) in SHR_RC	See subroutine "Perform FW Transaction"
3	Initialize checksum error flags in SHR_GPO SHR_GPO[18:12] == b1111111	0x5A 0xD3 0x0007F000
4	Execute Checksum Generation by sending RC_FW_CHKSUM	0xB8
5	Check that FW checksum has been finished by reading CHKSUM_FNS (bit 3) in SRR_IRQ_FLAG	See subroutine "Interrupt Handling"
6	Retention check by reading SHR_GPO PASS: SHR_GPO[18:12] == b0000000 FAIL: SHR_GPO[18:12] != b0000000	0x7A 0xD3 read data (Bit [31:0])

Remarks:

- Steps 1 & 2
Can be skipped if FW procedure [E] (Verify of FW Code & Data) is performed (no FW update before)

15.7.5 Common Subroutines

Figure :
Interrupt handling

Step	Description	SPI Opcodes & Data
a	Wait on interrupt INTN	
b	Check interrupt flag on reading SRR_IRQ_FLAG (bit x) 0: <i>not needed</i> 1: FW_TRANS_FNS 2: <i>not needed</i> 3: CHKSUM_FNS 4-7: <i>not needed</i>	0x7A 0xE0 <i>read data (Bit x of 32)</i>
c	Clear interrupt flag register by sending RC_IF_CLR	0x8D

Interrupt Handling requires that appropriate interrupt flag in **CR_I EH** is enabled in advance.

Figure :
Perform firmware transaction

Step	Description	SPI Opcodes & Data
a	Enable FW Transaction by writing release code to SHR_RC_RLS	0x5A 0xDF 0x50F5B8CA
b	Execute FW Transaction by writing code to SHR_RC (bit x) 16: FW Store All 17: FW Store & Lock 18: FW Erase & Unlock 19: FW Code Recall 20: FW Data Recall 21: <i>not needed</i> 22: FW Data Store	0x5A 0xDE <i>write data (Bit x of 32)</i>
c	Check that FW transaction has been finished by reading FW_TRANS_FNS (bit 1) in SRR_IRQ_FLAG	<i>See subroutine "Interrupt Handling"</i>

15.7.6 Optional Status Check

Figure :
Perform optional status check

Step	Description	SPI Opcodes & Data
1	Prepare & perform short bootload sequence for updating FW revisions by writing code to CR_TRIM3, FWD_ACR, SHR_CPU_REQ	0x5A 0xCE 0x00000000 0x5B 0x6B 0x00000000 0x5A 0xDC 0x00000001
2	Mandatory wait time: At least 1 ms	
3	Get FW Range, FWU Revision, FWA Revision by reading SRR_FWU_RNG, SRR_FWU_REV, SRR_FWA_REV	0x7A 0xEC <i>read data (Bit [31:0])</i> <i>read data (Bit [31:0])</i> <i>read data (Bit [31:0])</i>
4	Check status of Watchdog and Lock State by reading SRR_MSC_STF : Bit 15: Watchdog State Bit 2: Lock State	0x7A 0xEA <i>read data (Bit [31:0])</i>
5	Check different status bits by reading System Status Bit 7: Error Flag Bit 5: Communication Fail Bit 4: Measure Cycle Timer State	0x8F <i>read data (Bit [7:0])</i>

Remarks:

- Steps 1 & 2 are mandatory for step 3
- Steps 4 & 5 can be performed seperately

15.8 Measurement Start in Time Conversion Mode

A measurement start in time conversion mode typically requires that “Autoconfig Release Code” is disabled. Further interactions via remote interface have to be performed as follows (greyed actions as deccribed above in flow diagram):

Figure :
Measurement Start

Step	Description	Opcodes & Data
1	Wait on interrupt INTN	

Step	Description	Opcodes & Data
2	Check interrupt flag on reading SRR_IRQ_FLAG (bit 2) 2: BLD_FNS	0x7A 0xE0 <i>read data (Bit 2 of 32)</i>
3	Clear interrupt flag register by sending RC_IF_CLR	0x8D
4	Write Configuration Data to CR addresses: 0x0C0...0x0CB SHR addresses: 0x0D0...0x0D2 / 0x0DA...0x0DB	0x5A 0xC0 0XXXXXXXXX 0x5A 0xD0 0XXXXXXXXX
5	System INIT, RC_SYS_INIT, opcode 0x9A. Charge pump is uploading to CHP_HV_SEL	0x9A
6	Wait 20 ms (Charge Pump is uploading to configured voltage)	
7	Set Measure Cycle Timer On	0x8B
8	Check if Cycle Timer is on with RC_READ_STATUS 0x8F, bit 4, MCT_STATE	0x8F <i>read byte</i>

16 Known Errors
