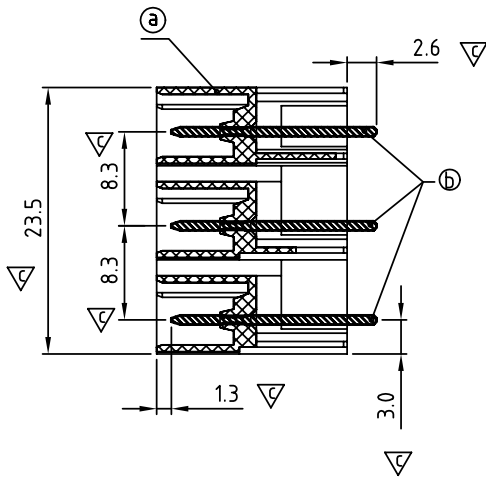
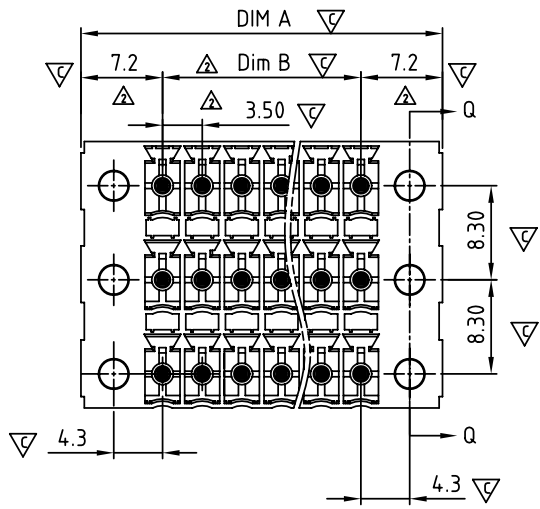


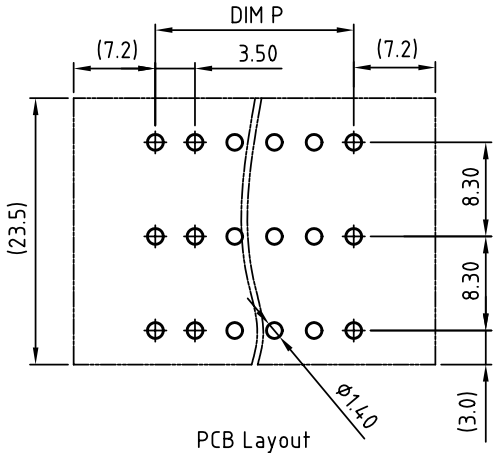
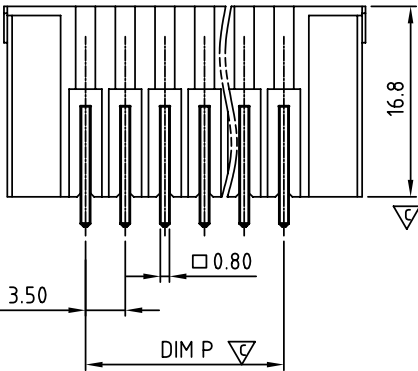
SIGN	DATE	DESCRIPTION	APPROVER
△	04/16 '12	Flange nut is changed	Runner
△	04/16 '12	The dimension is added	Runner

THIS IS CAD DRAWING, DO NOT REVISE MANUALLY!!!



- Material:
- Item (a) Terminal(housing): PA66 30% GF (UL94V-0)
 - Item (b) Contact pin of : copper Tin plated
 - Item (c) Flange screw NUT: Brass M 2.5

- Electrical: cULus
- Voltage rating: 160V
 - Current rating: 5.5A
 - Withstanding Voltage: 1.32 KV
 - Operating temperature: -40°C to +115°C
 - Soldering temperature: 250°C ±10°C/5 Sec
 - APPROVAL:
 - Critical dimension: ▽

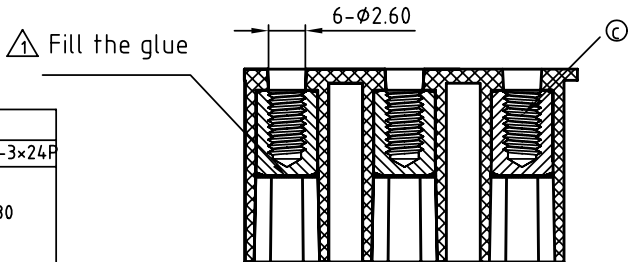


K3 xx 1 2 x 0 xxxx G

- No. OF POLES
- 06: 3x2 POLES
 - 09: 3x3 POLES
 - ...
 - 72: 3x24 POLES
- COLOR
- 0 Black (RAL9005)
 - 3 Orange(RAL2011/P)
 - 5 Green(RAL6018/T)
 - 6 Blue (RAL5015/A)
 - 8 Grey(RAL7035/D)
- RoHS compliant (lead<4%)
In copper Alloy
- A000: "@" Logo (Standard)
A00A: "ANYTEK" Mark
- Any special item by customer request.
please contact sales department.

△ N=NUMBER OF CONTACTS

DIM	TOL	TOL		
		3x2P--3x5P	3x6P--3x16P	3x17P--3x24P
Dim A	(N/3-1)×3.5+14.4	±0.20	±0.25	±0.30
Dim B	(N/3-1)×3.5			
Dim P	(N/3-1)×3.5			



SECTION Q-Q

ANYTEK				CUSTOMER COPY				
								ALL RIGHTS RESERVED. REPRODUCTION OR ISSUE TO THIRD PARTIES IN ANY FORM WHATSOEVER IS NOT PERMITTED WITHOUT WRITTEN AUTHORITY FROM THE PROPRIETOR. PROPERTY OF ANYTEK TECHNOLOGY CO., LTD
TITLE		K3 3.5mm With Flange Series (180°-Vertical) DIP type						
PART NO.		K3xx12x0xxxxG			DWG NO.		8K30011	
APPROVED	CHECKED	DESIGNED	DRAWN	CUST NO.		Tolerance		
		Runner	Runner			X. ±0.50		
		2012.04.17	2010.06.28			X.X ±0.30		
				SHEET: 01/01		UNIT: mm		
						SCALE: NONE		
						X.XX ±0.10		
						X° ±1°		