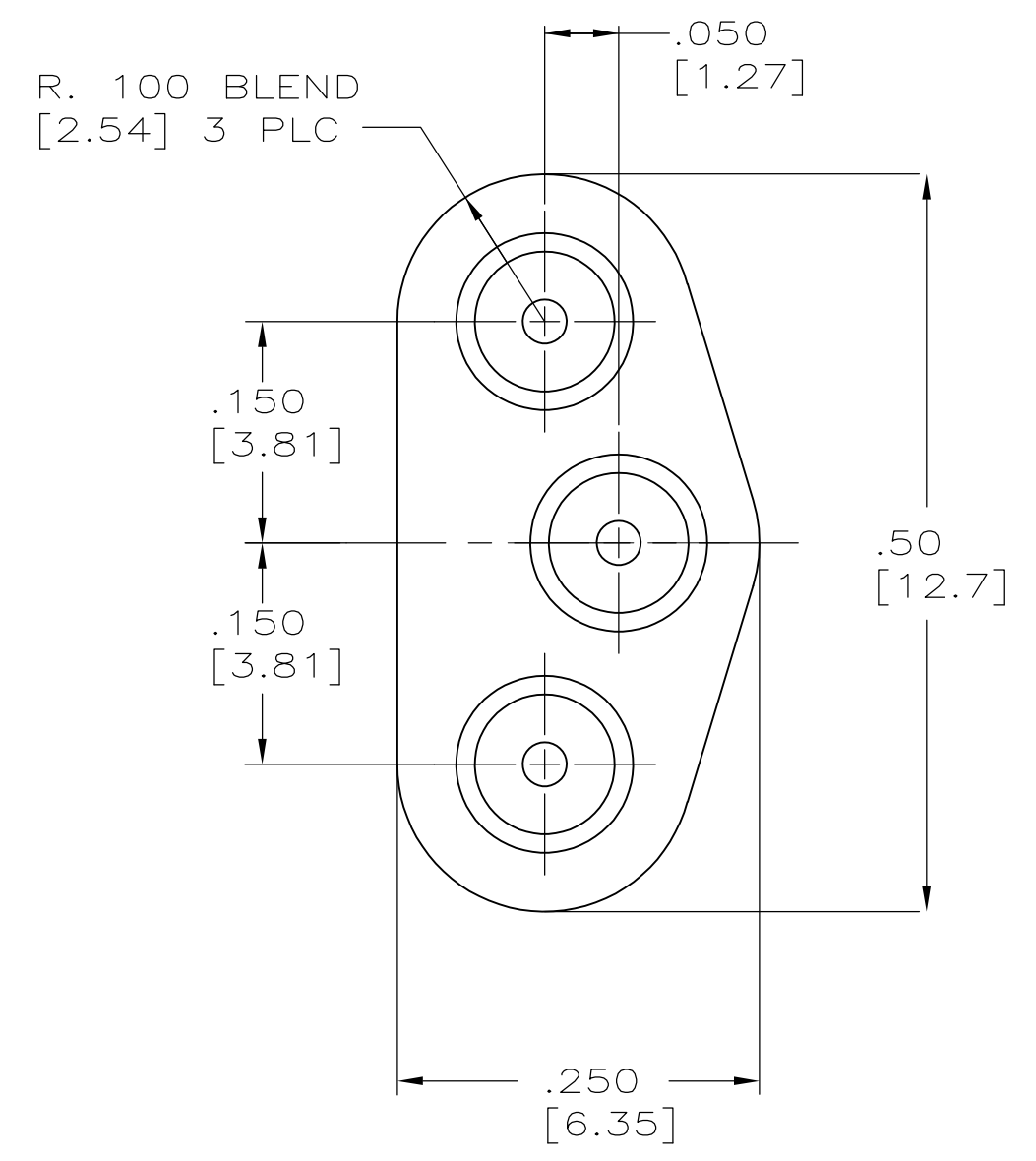
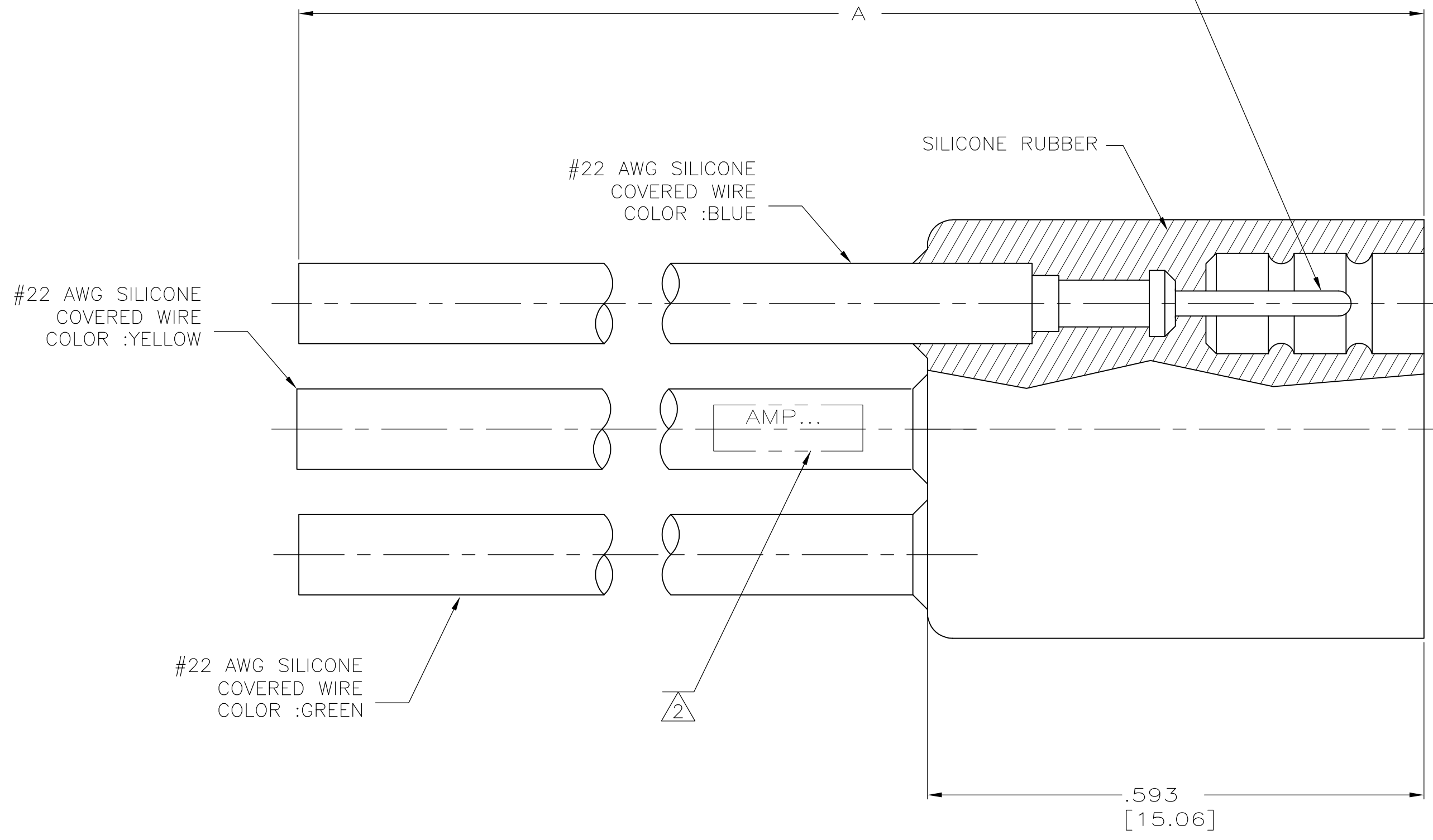


THIS DRAWING IS UNPUBLISHED. RELEASED FOR PUBLICATION  
 © COPYRIGHT - By - ALL RIGHTS RESERVED.

LOC		DIST		REVISIONS			
P	LTR	DESCRIPTION	DATE	DWN	APVD		
	J	REV PER ECO 0H14-0083-04	3-04	CT	DE		

PIN CONTACT  
 MAT'L: BRONZE PER ASTM-B-140  
 FINISH: GOLD PLATE PER MIL-G-45204  
 OVER NICKEL PER QQ-N-290



- 1 TOLERANCE: UP TO 24.00 [609.6] = ±.12 [±3.0]  
24.00 [609.6] & UP = ±1%
- 2 MARKED PER MIL-STD-130 IN APPROX. AREA SHOWN.

OBSOLETE	72.00 [1828.8]	862425-6
OBSOLETE	16.00 [406.4]	862425-5
	48.00 [1219.2]	862425-4
	24.00 [609.6]	862425-3
	18.00 [457.2]	862425-2
	12.00 [304.8]	862425-1
	DIM A 1	PART NO

THIS DRAWING IS A CONTROLLED DOCUMENT.		DWN	1-29-99	<b>STE</b> TE Connectivity	
DIMENSIONS: INCHES [mm]		CHK	1-29-99		
TOLERANCES UNLESS OTHERWISE SPECIFIED:		APVD	1-29-99	NAME	
0 PLC ± -		D.EABY		RCPT, LGH, 3 POSN, MICRO-MIN	
1 PLC ± -		D.EABY		SIZE	
2 PLC ± .01 [0.3]		PRODUCT SPEC		CAGE CODE	
3 PLC ± .005 [0.13]		APPLICATION SPEC		DRAWING NO	
4 PLC ± -		WEIGHT		RESTRICTED TO	
ANGLES ± -		FINISH		A2 00779 C=862425	
MATERIAL SEE CALLOUTS		FINISH SEE CALLOUTS		SCALE 8:1 SHEET 1 of 1 REV J	
		CUSTOMER DRAWING			

862425