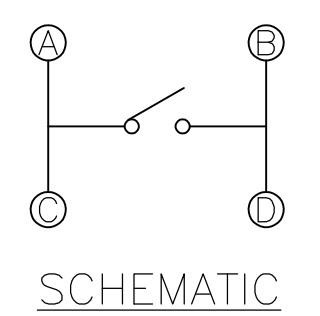
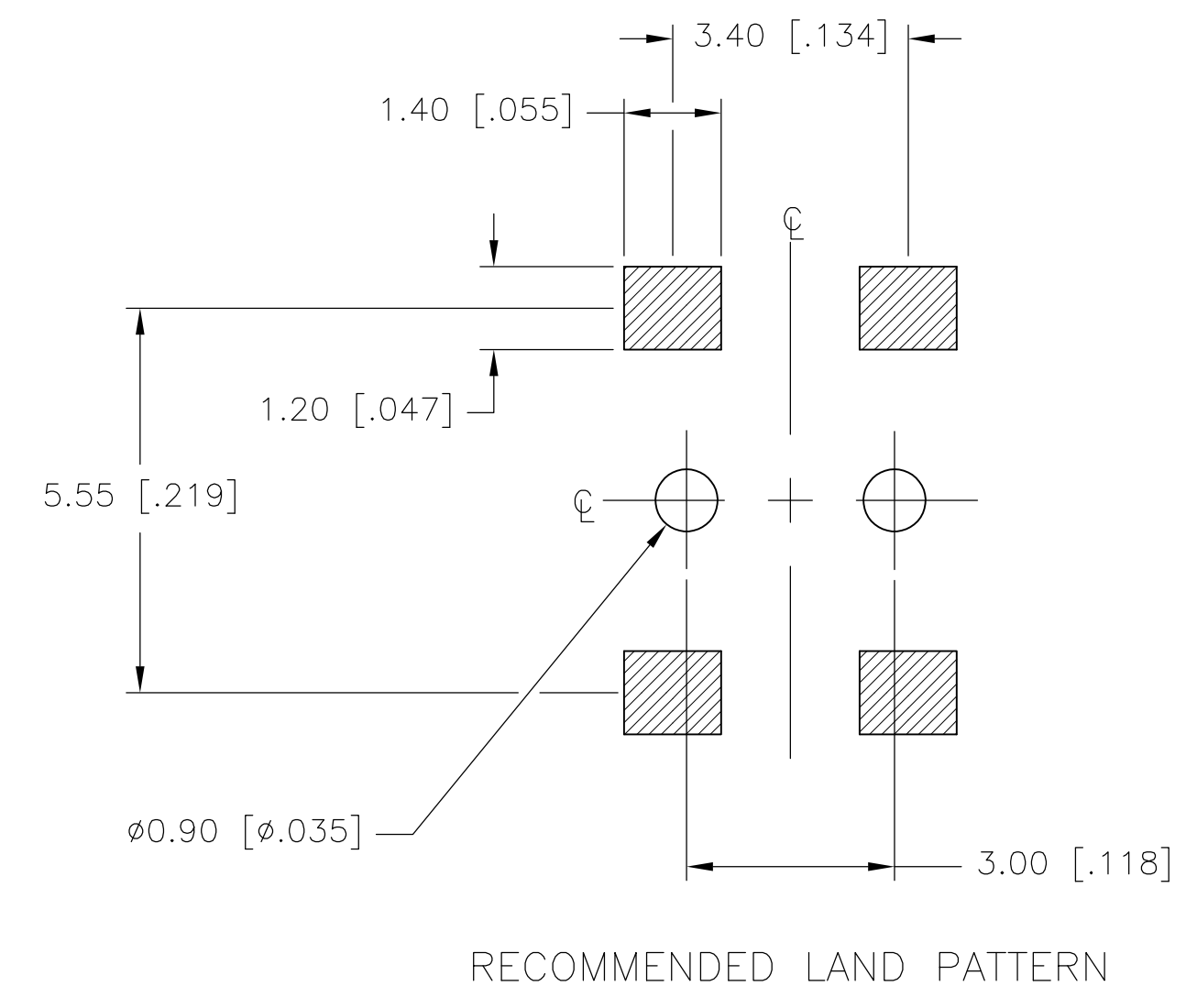
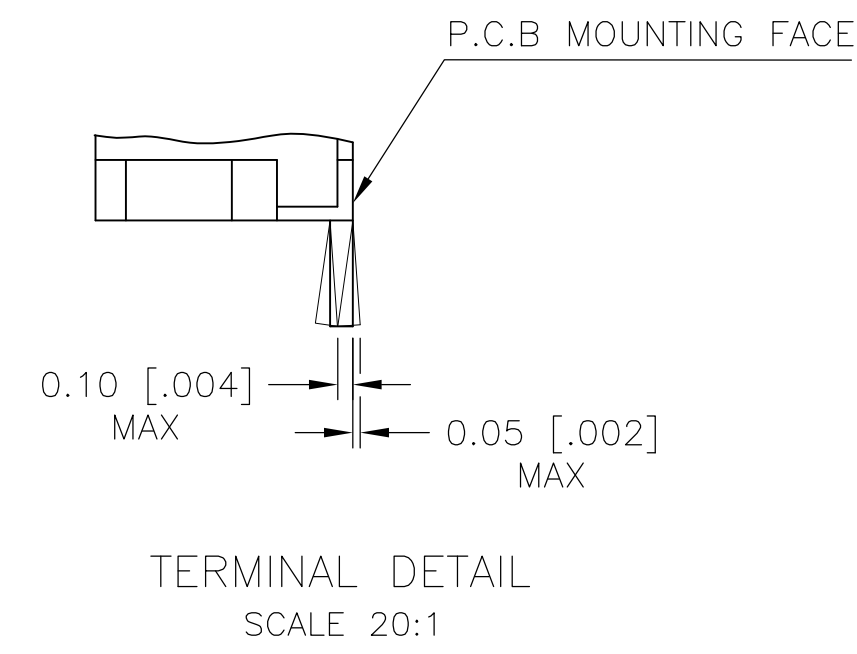
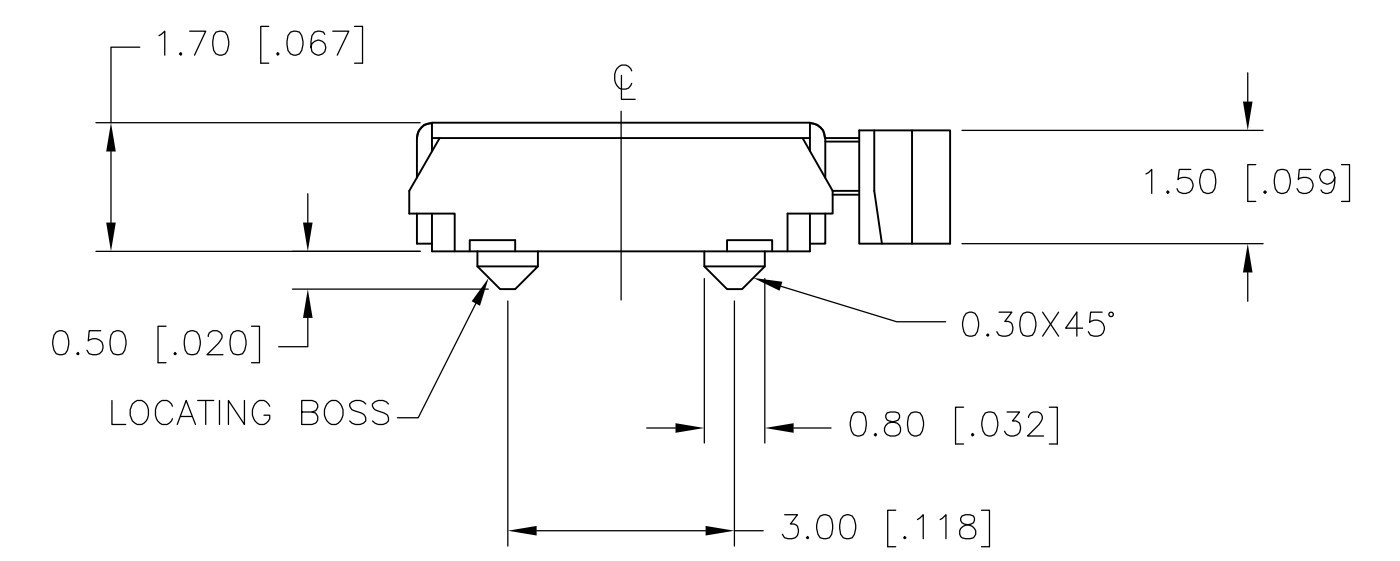
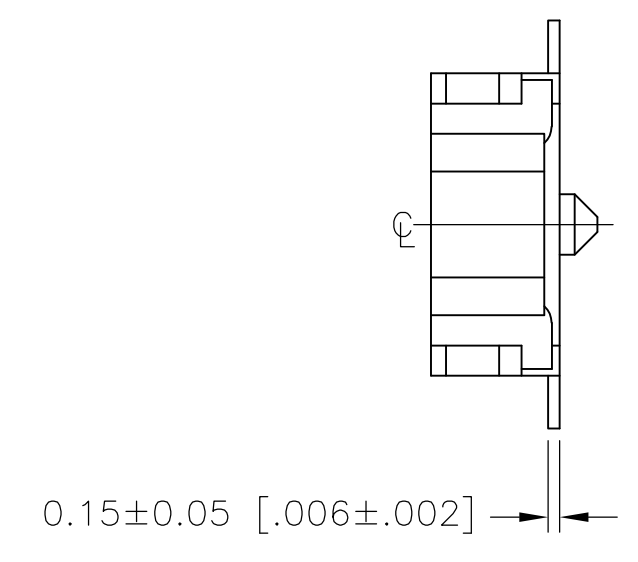
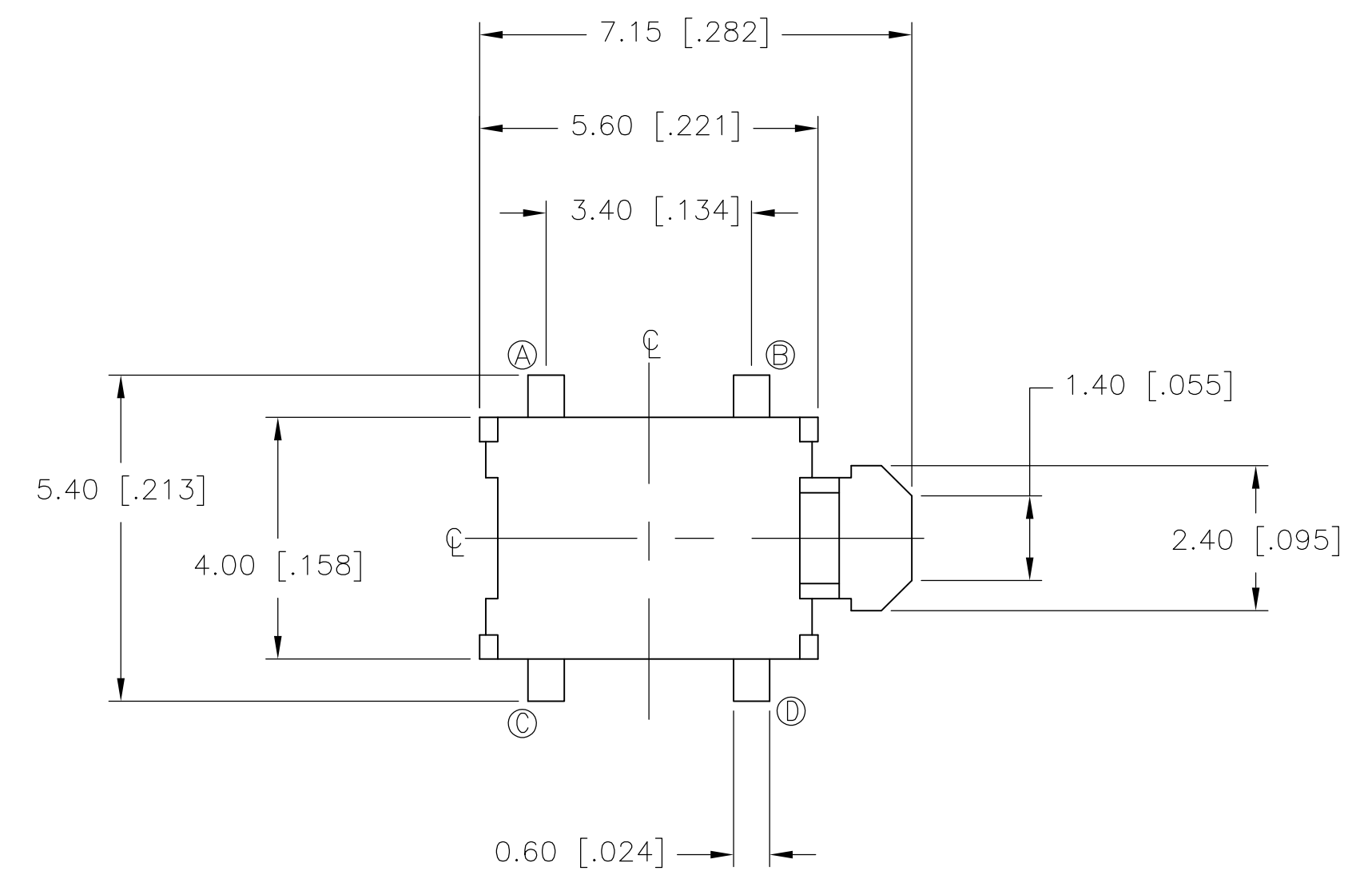


LOC		DIST		REVISIONS			
P	LTR	DESCRIPTION	DATE	DMN	APVD		
C1		REVISED PER ECO-11-005027	11MAR11	RK	HMR		



SPECIFICATIONS:

**MATERIALS:**  
 COVER: STAINLESS STEEL  
 ACTUATOR: LCP, BLACK  
 CASE: LCP, SEE P/N TABLE FOR FINISH  
 STOP: LCP, BLACK  
 CONTACT PLATE: STAINLESS STEEL, SILVER PLATE  
 TERMINAL: COPPER ALLOY, SILVER OVER NICKEL PLATE

**ELECTRICAL:**  
 CONTACT RATING, 50MA@12VDC, PER EIA-448, METHOD 6  
 INITIAL CONTACT RESISTANCE, 500 MILLIOHMS MAX, PER EIA-364-23B, EACH POSITION  
 INSULATION RESISTANCE, 100 MEGOHM MIN. PER EIA-364-21C EACH POSITION  
 DIELECTRIC STRENGTH, 250 V AC FOR 1 MINUTE PER EIA-364-20B, CONDITION 1, EACH POSITION.  
 BOUNCE, 10MILLISECOND MAX

**MECHANICAL:**  
 ACTUATION FORCE, 220 +/-50 GF  
 ACTUATION TRAVEL, .25 +/-0.15  
 LIFE EXPECTANCY, 50,000 CYCLES (120-180 CYCLES PER MINUTE), PER EIA-448 METHODS 8 AND 9  
 VIBRATION, PER EIA 364-28D, CONDITION VII, LEVEL E  
 MECHANICAL SHOCK, PER EIA-364-27C, CONDITION A

**ENVIRONMENTAL:**  
 OPERATING TEMPERATURE, -20 TO +70 DEGREES C, PER EIA-448, METHOD 10  
 STORAGE TEMPERATURE, -30 TO +80 DEGREES C  
 HUMIDITY AND TEMPERATURE CYCLING PER EIA-364-31B, METHOD III  
 THERMAL SHOCK, PER EIA-364-32C, -30 TO +80 DEGREES C  
 SOLDERABILITY, PER EIA-364-52, CLASS 2, CATEGORY 1, TEMP, 245 DEGREES C MAX, TIME, 2.5 SECONDS MAX, 95% MINIMUM COVERAGE  
 RESISTANCE TO SOLDER HEAT PER 109-201, CONDITION B

NOTES:

- ALL MATERIALS AND FINISHES SHALL COMPLY WITH EU DIRECTIVE 2002/95/EC OF 27JAN2003 (ROHS).
- PACKAGING: TAPE AND REEL PACKAGING PER EIA 481.

3300	8MM	16MM	BLACK	W BOSS	T&R	1571262-4
N/A	N/A	N/A	BLACK	W BOSS	BULK	1571262-3
3300	8MM	16MM	WHITE	W/O BOSS	T&R	1571262-2
N/A	N/A	N/A	WHITE	W/O BOSS	BULK	1571262-1
QTY/REEL	PITCH	TAPE WIDTH	CASE COLOR	FEATURES	PACKAGING	PART NO.

THIS DRAWING IS A CONTROLLED DOCUMENT.

DIMENSIONS: mm [INCHES]	TOLERANCES UNLESS OTHERWISE SPECIFIED:	0 PLC ± -	1 PLC ± -	2 PLC ± 0.30 [.012]	3 PLC ± -	4 PLC ± -	ANGLES ± -
MATERIAL SEE SPECIFICATIONS	FINISH -	WEIGHT -	SIZE A1	CAGE CODE 00779	DRAWING NO. 1571262	RESTRICTED TO -	

CUSTOMER DRAWING SCALE 10:1 SHEET 1 OF 1 REV C1