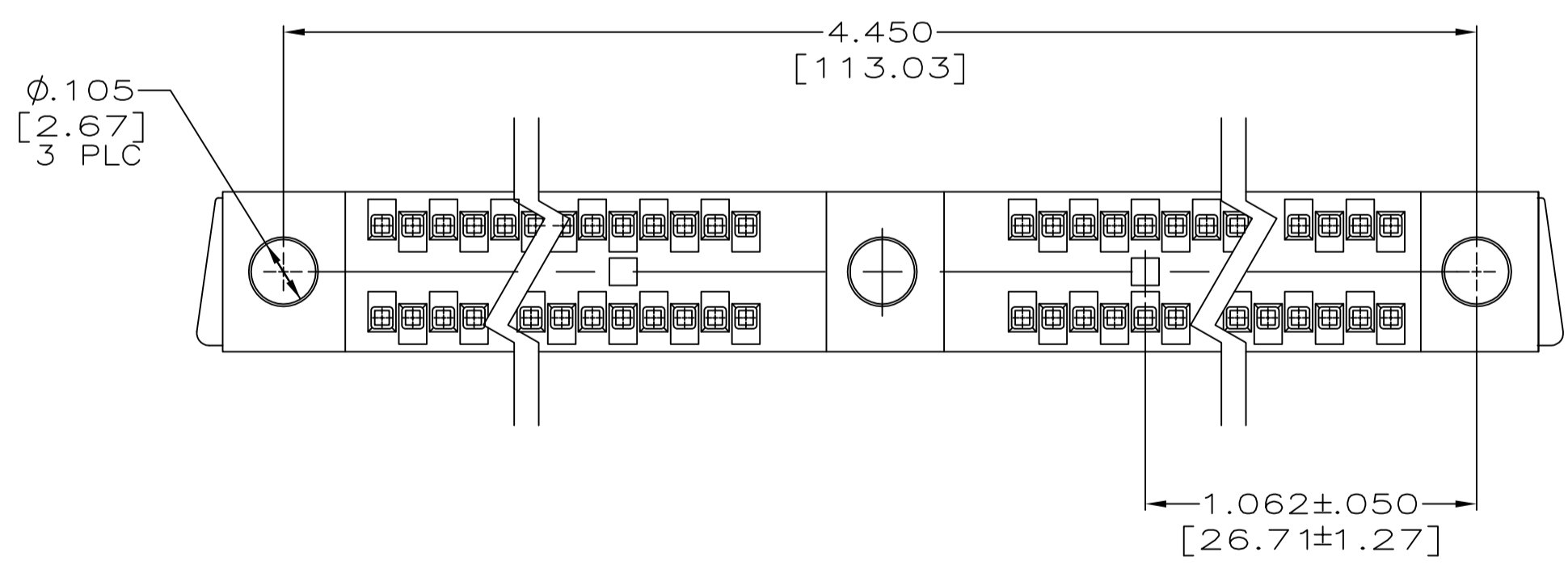
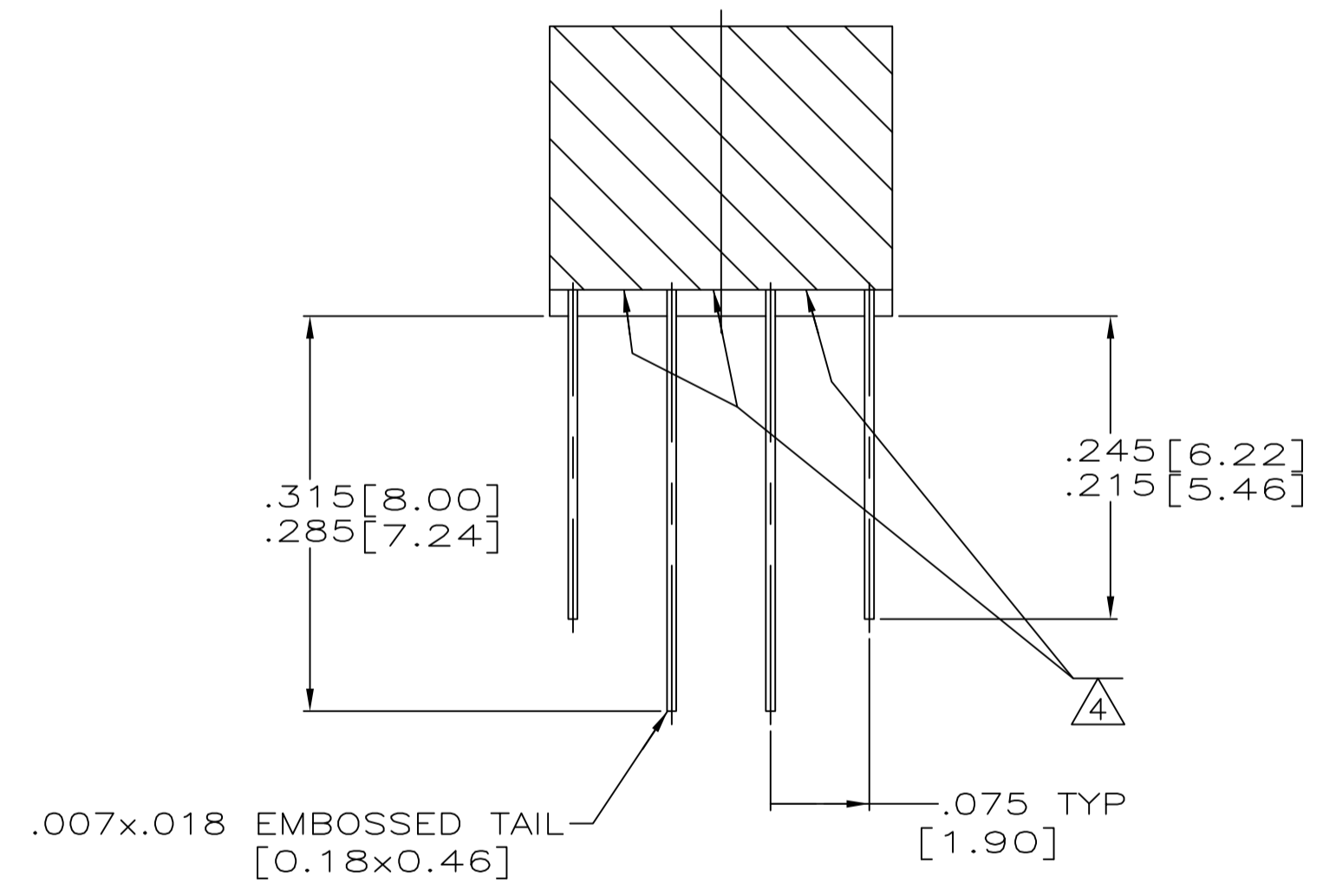
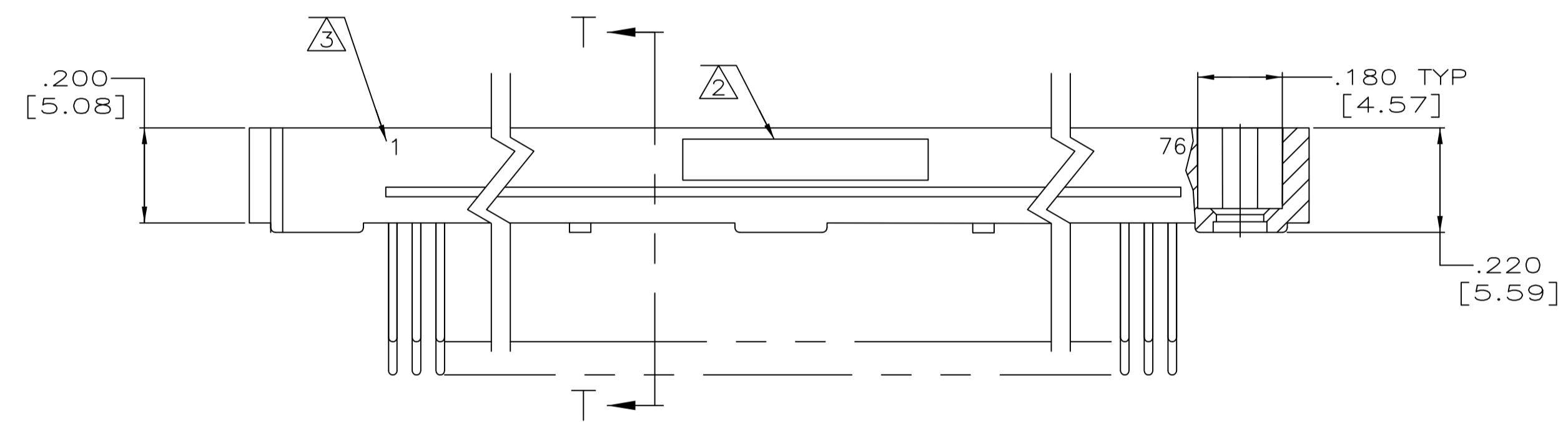
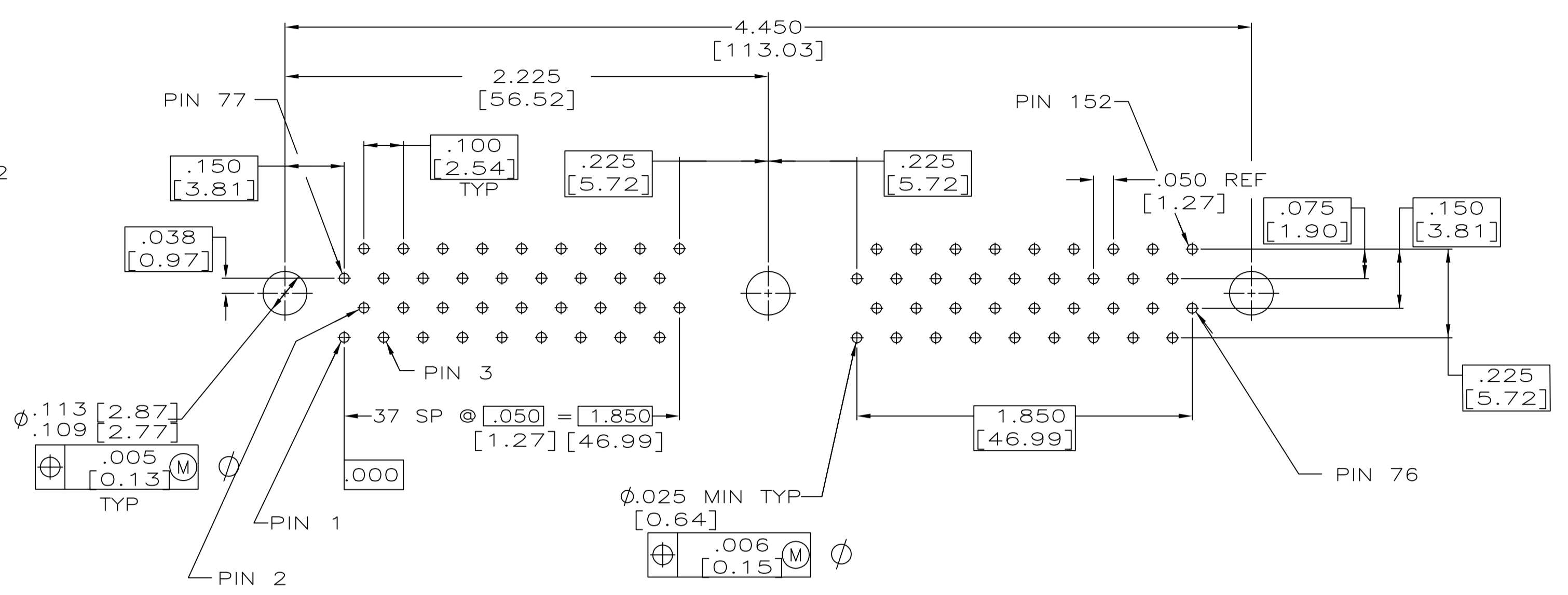
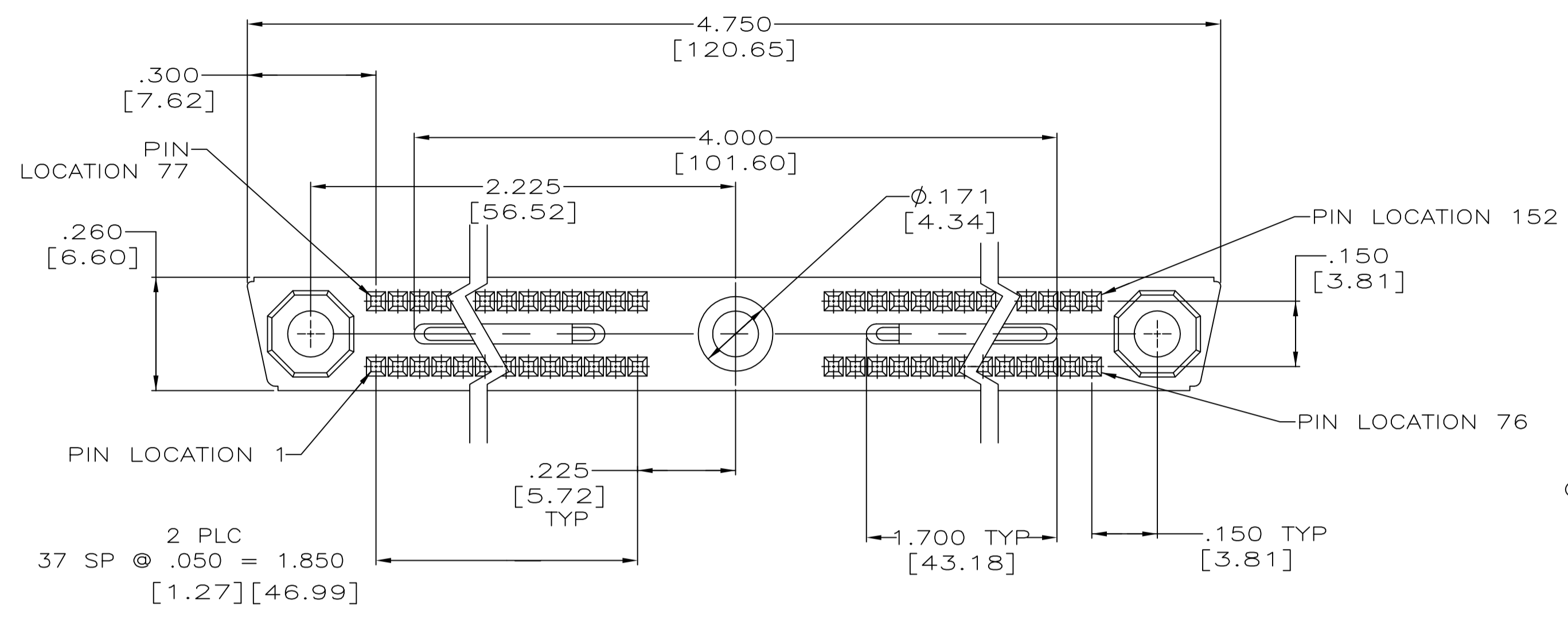


REVISIONS				
P	LTR	DESCRIPTION	DATE	OWN APVD
A		REVISED PER ECO-16-017894	27APR2017	PHM CT



SECTION T-T
SCALE 8:1

- CONNECTOR MEETS ALL APPLICABLE REQUIREMENTS OF MIL-C-55302.
- AMP, AMP PART NO. & DATE CODE MARKED IN THIS APPROXIMATE AREA, OPPOSITE SIDE.
- NUMBERS INDICATING END POSITIONS STAMPED THIS SIDE ONLY.
- BOTTOM SURFACE OF HOUSING SEALED.
- CONTACT FINISH: .000050 [0.0013] GOLD ALL OVER NICKEL UNDERPLATE IN CONTACT AREA, GOLD FLASH OVER NICKEL UNDERPLATE ON REMAINDER OF CONTACT.

152	447658-1
POSN.	PART NO.

THIS DRAWING IS A CONTROLLED DOCUMENT.		OWN P. YEAGER 3-20-91		D. GUTTER 3-24-91		APVD D. GUTTER 3-24-91		NAME		STE TE Connectivity	
DIMENSIONS: INCHES(mm)		TOLERANCES UNLESS OTHERWISE SPECIFIED:		APPLICATION SPEC		WEIGHT		SIZE CAGE CODE DRAWING NO		RESTRICTED TO	
0 PLC ± - 1 PLC ± - 2 PLC ± - 3 PLC ± .005 4 PLC ± - ANGLES ± - FINISH - 3								A1 00779 C=447658		-	
MATERIAL LIQUID CRYSTAL POLYMER				CUSTOMER DRAWING				SCALE 4:1		SHEET 1 OF 1 REV A	