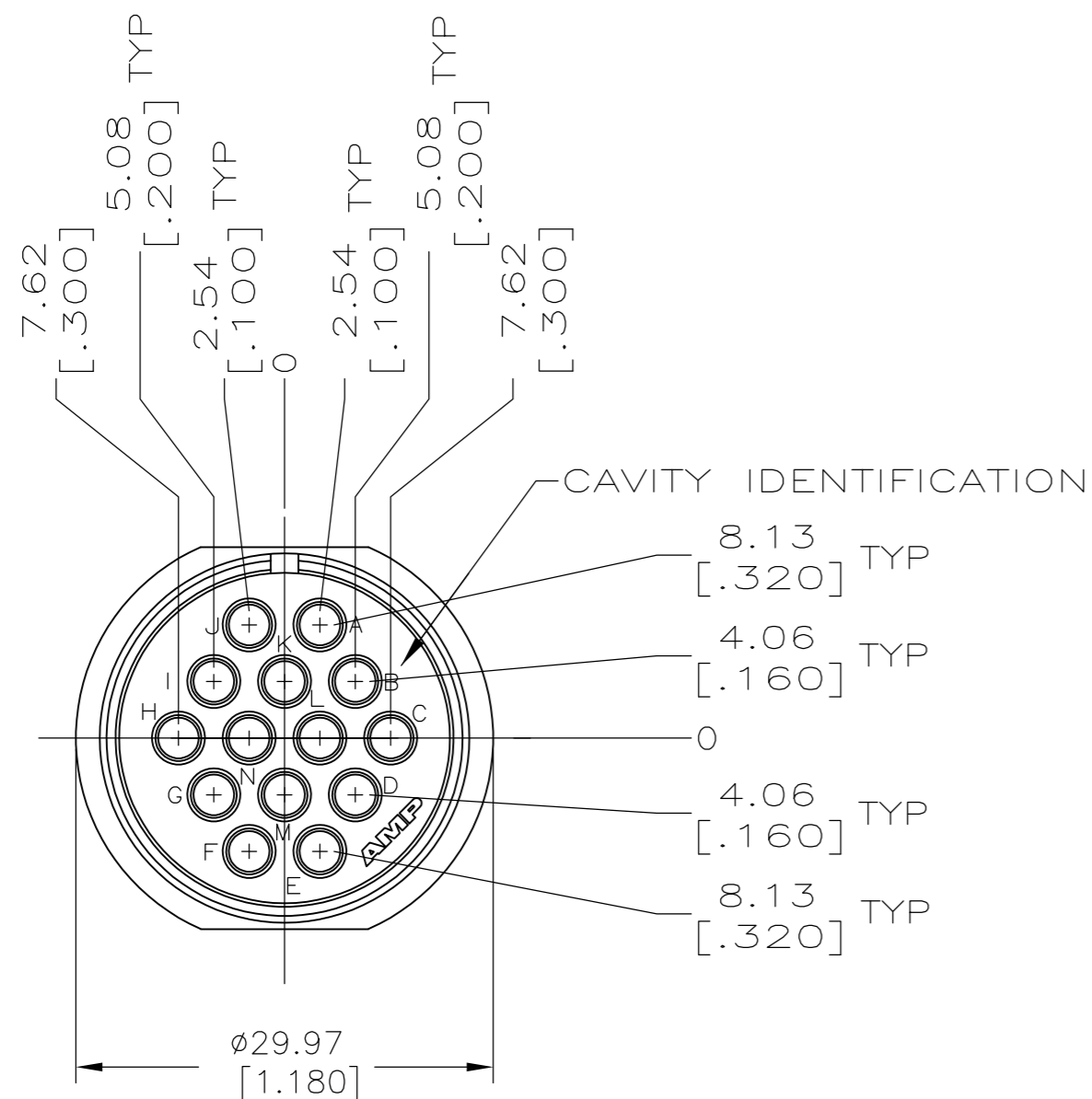


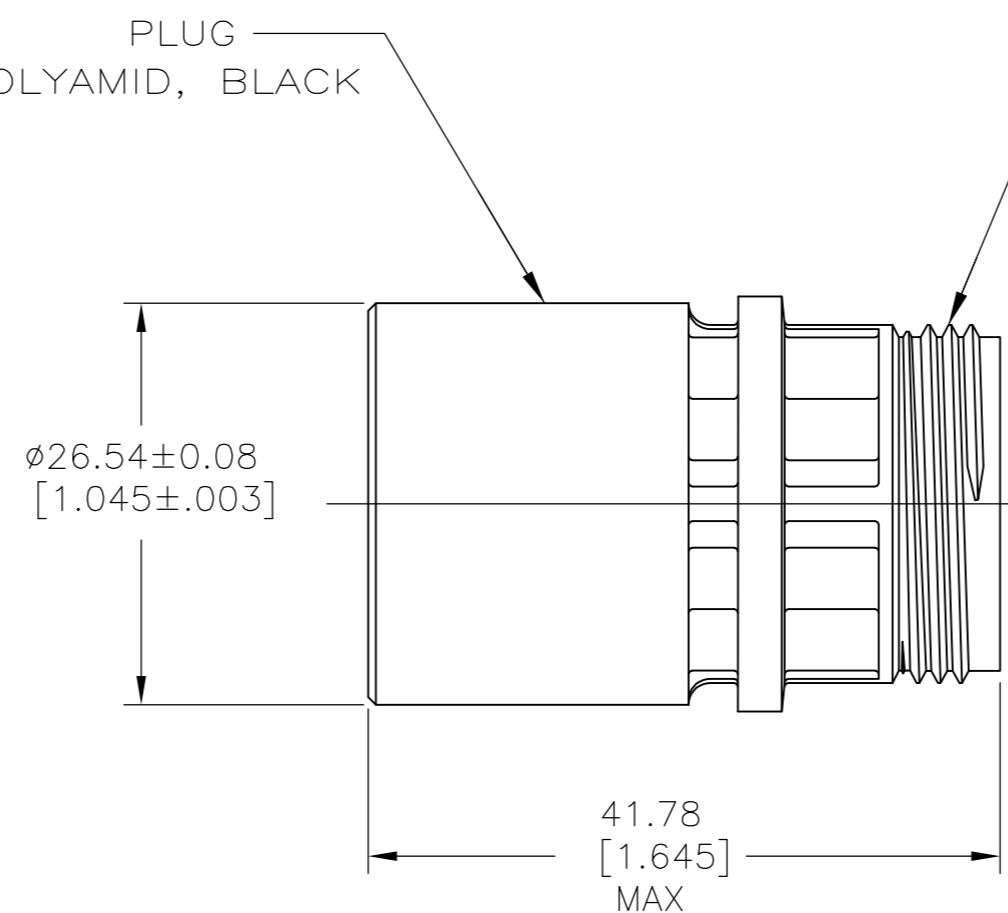
THIS DRAWING IS UNPUBLISHED. RELEASED FOR PUBLICATION  
 © COPYRIGHT BY TYCO ELECTRONICS CORPORATION. ALL INTERNATIONAL RIGHTS RESERVED.

LOC	DIST	REVISIONS			
P	LTR	DESCRIPTION	DATE	DWN	APVD
BD	35				
		D	REDRAWN PER ECO-09-000587	15JAN09	HMR MS

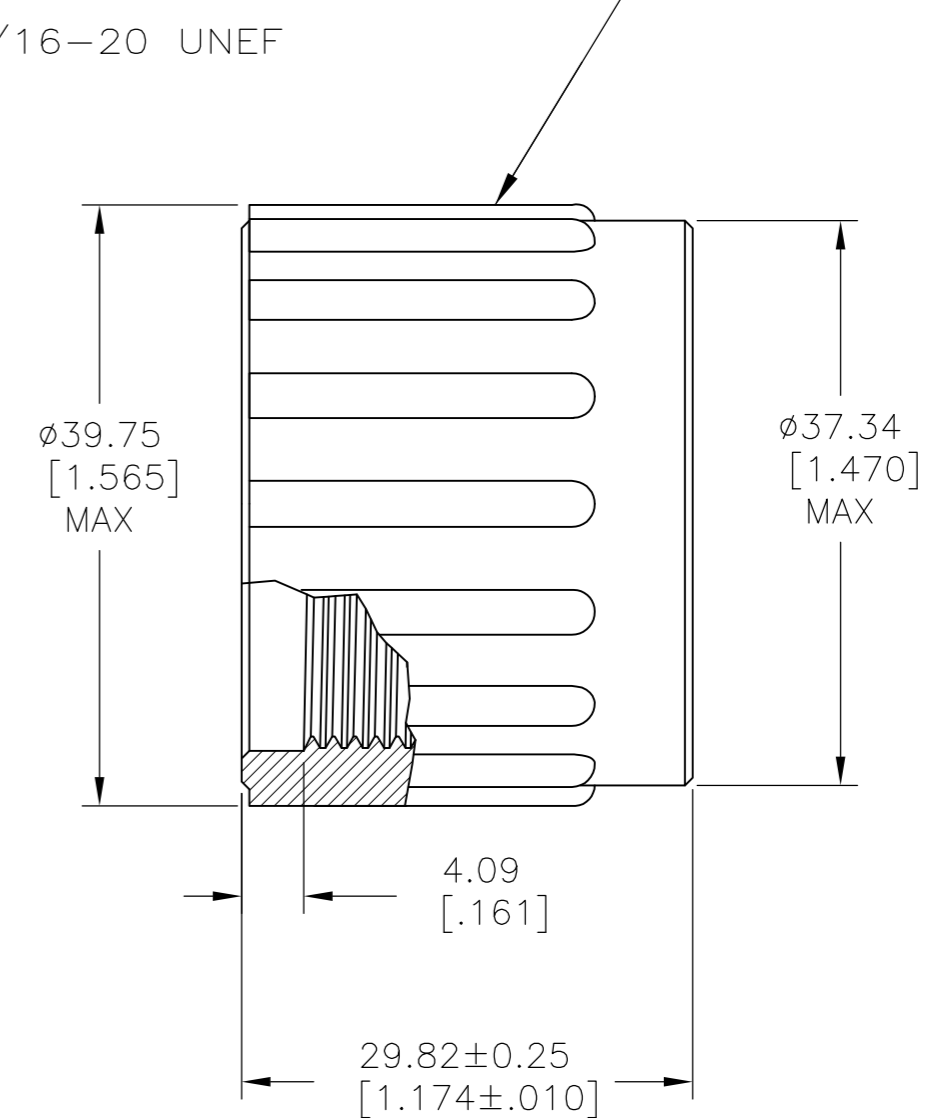
- 1 PLUG MATES WITH RECEPTACLE, AMP PART NO 213570-1.
- 2 PLUG ACCEPTS TYPE III+ PIN CONTACTS, AMP PART NO 66597-6.
- 3 PARTS BULK PACKAGED.
- 4 PLUG MATES WITH PRODUCT DESIGNED TO MIL SPEC 5015.



PLUG  
POLYAMID, BLACK



COUPLING RING  
POLYAMID, BLACK



AS SHOWN	213571-2
OBSOLETE	<del>213571-1</del>
	PART NO

THIS DRAWING IS A CONTROLLED DOCUMENT.		DWN	RAGHAVENDRA	15JAN09	Tyco Electronics Corporation Harrisburg, PA 17105-3608																	
DIMENSIONS: mm [INCHES]		CHK	SARVER MICHAEL	15JAN09																		
TOLERANCES UNLESS OTHERWISE SPECIFIED:		APVD	SARVER MICHAEL	15JAN09																		
<table border="1"> <tr><td>0 PLC</td><td>±</td><td>-</td></tr> <tr><td>1 PLC</td><td>±</td><td>-</td></tr> <tr><td>2 PLC</td><td>±</td><td>0.13 [.005]</td></tr> <tr><td>3 PLC</td><td>±</td><td>-</td></tr> <tr><td>4 PLC</td><td>±</td><td>-</td></tr> <tr><td>ANGLES</td><td>±</td><td>-</td></tr> </table>		0 PLC	±	-		1 PLC	±	-	2 PLC	±	0.13 [.005]	3 PLC	±	-	4 PLC	±	-	ANGLES	±	-	PRODUCT SPEC	
0 PLC	±	-																				
1 PLC	±	-																				
2 PLC	±	0.13 [.005]																				
3 PLC	±	-																				
4 PLC	±	-																				
ANGLES	±	-																				
MATERIAL SEE CALLOUTS		FINISH			NAME PLUG KIT, UNASSEMBLED, REVERSE SEX, 20-14 ARR, CPC																	
		WEIGHT	-		SIZE A2																	
		CUSTOMER DRAWING			CAGE CODE 00779																	
					DRAWING NO C=213571																	
					RESTRICTED TO -																	
					SCALE 2:1																	
					SHEET 1 of 1																	
					REV D																	