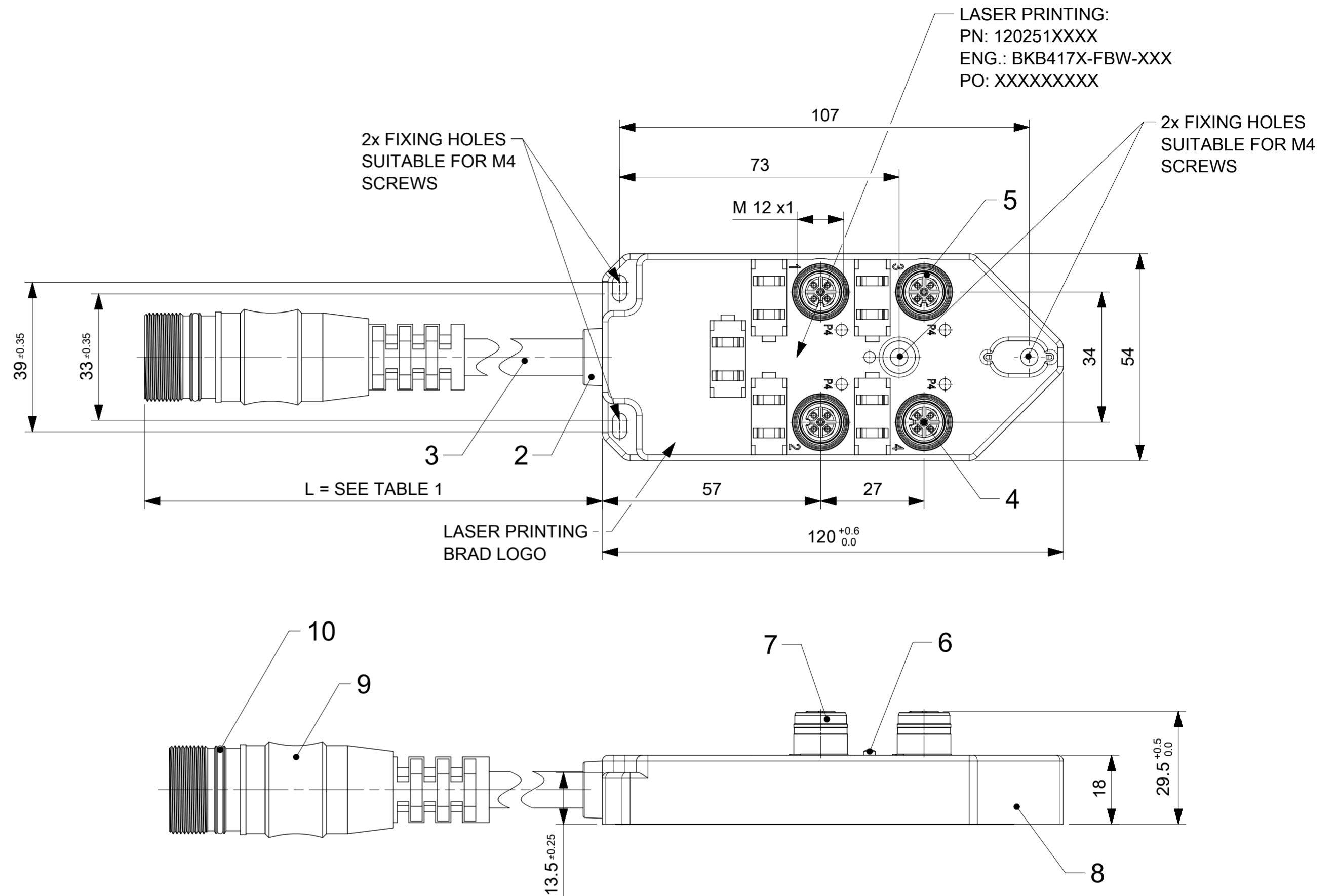


TABLE 1

MOLEX P/N	ENG. NO.	CABLE LENGTH (mm)	LED
1202510093	BKB417P-FBW-003	300	YES
1202510094	BKB417N-FBW-003	300	YES

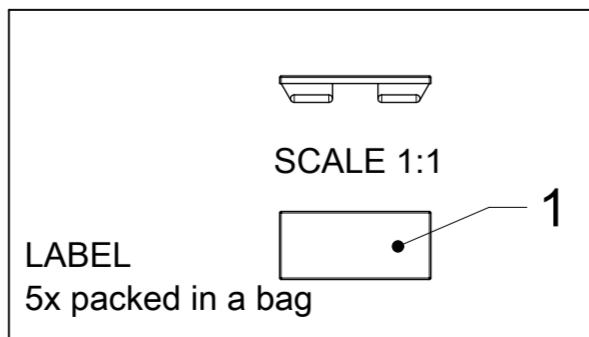
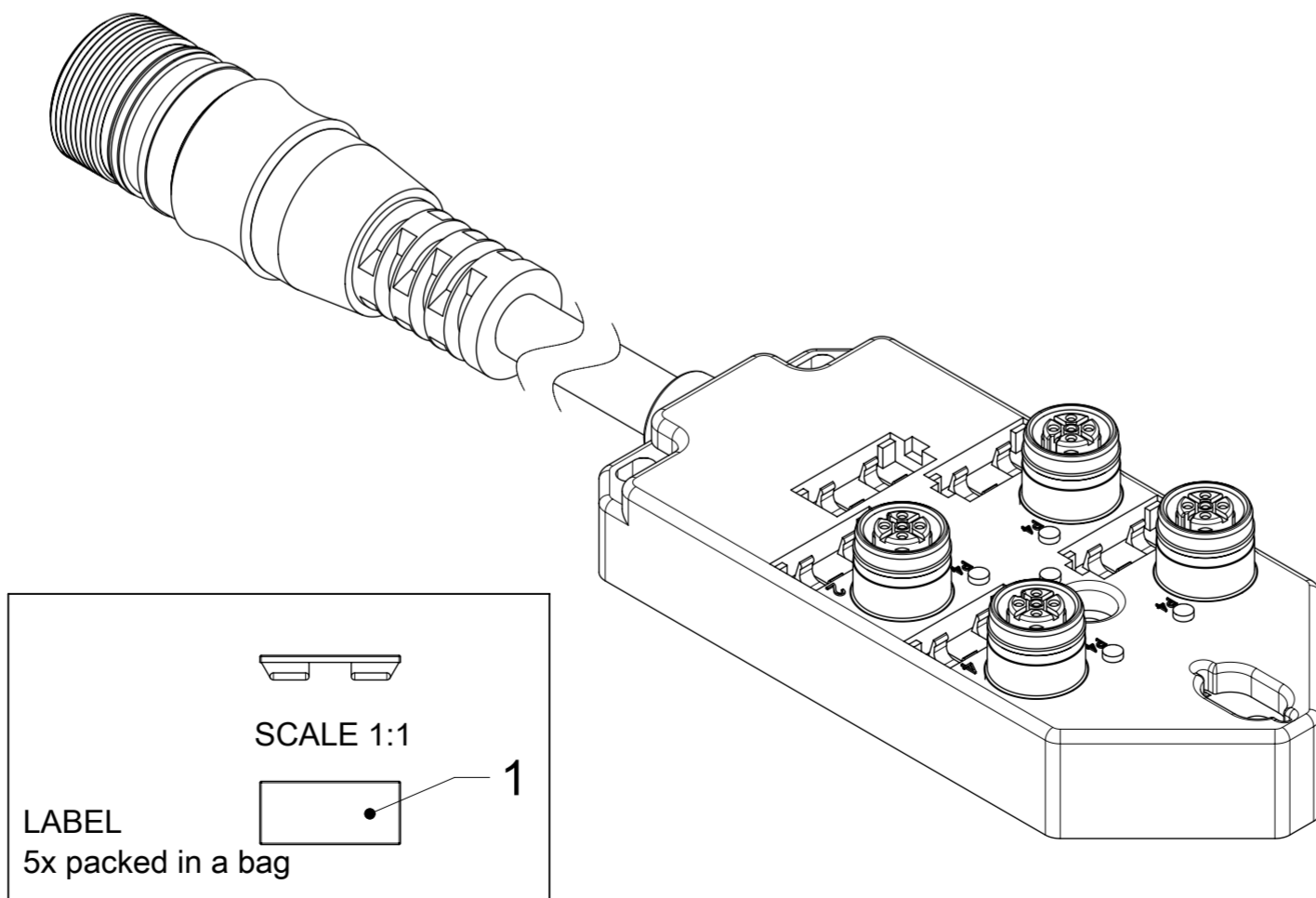
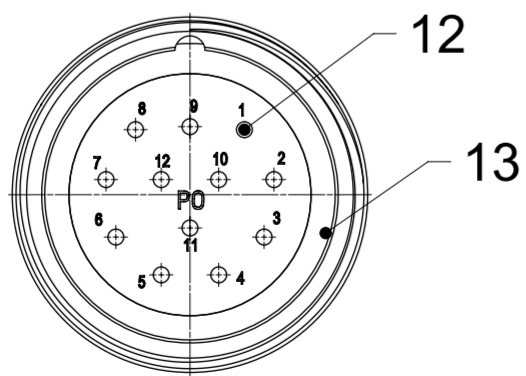
TABLE 2 BILL OF MATERIAL

ITEM	DESCRIPTION	MATERIAL	FINISH
1	LABEL	ABS	WHITE
2	CABLE PLATE	PBT	BLACK
3	CABLE	TPU BASED	BLACK
4	CONTACT	BRONZE	GOLD OVER NICKEL
5	O-RING	FPM	RED
6	LED	NON LED = PA	BLACK
		WITH LED = PA	TRANSPARENT
7	SHELL	BRASS	NICKEL PLATED
8	HOUSING	PBT	BLACK
9	OVERMOLD	PUR	BLACK
10	O-RING	NBR	BLACK
11	SHELL	BRASS	NICKEL PLATED
12	CONTACT	BRONZE	GOLD OVER NICKEL
13	O-RING	NBR	BLACK



PIN	COLOR
1	WHITE
2	GREEN
3	YELLOW
4	GREY
5	PINK
6	RED
7	BLACK
8	VIOLETT
9	BLUE
10	BLUE
11	BROWN
12	YELLOW/GREEN

M23 12PIN FRONT VIEW



GENERAL CHARACTERISTICS:

ELECTRICAL AND MECHANICAL DATA ACC. TO IEC 61076-2-101

NOMINAL VOLTAGE: 10-30 V DC
 AMPERE RATING: 4 A PER PORT / 12 A MAX
 AMPERE RATING WITH UL REGISTRATION: 3 A PER PORT / 9 A MAX
 IP DEGREE OF PROTECTION: IP 67
 TEMPERATURE RANGE: -25°C to + 85°C

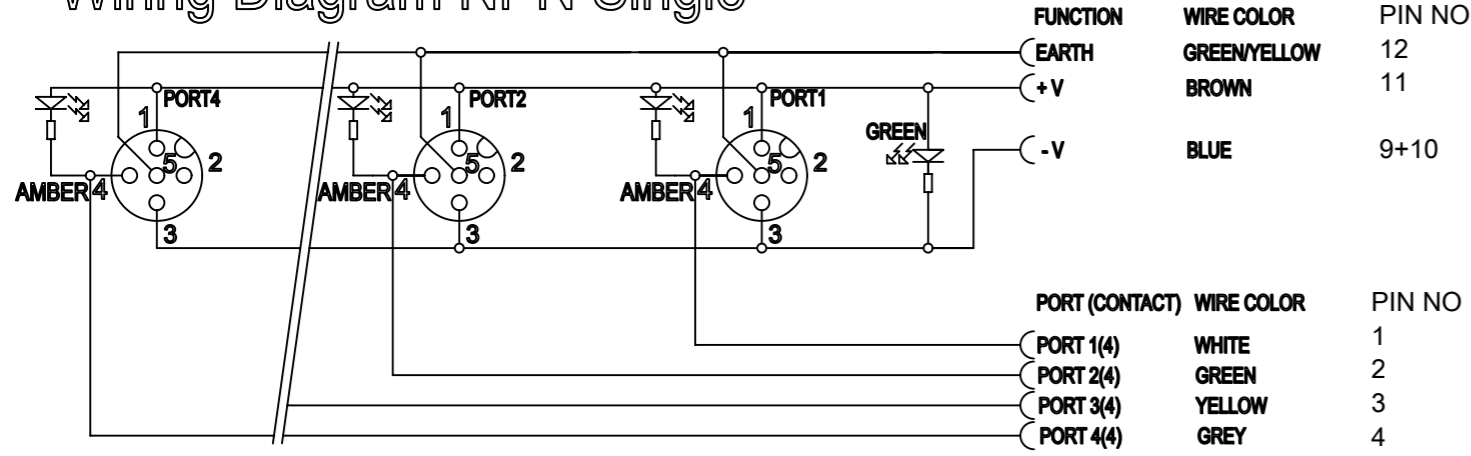
SYMBOLS	THIS DRAWING CONTAINS INFORMATION THAT IS PROPRIETARY TO MOLEX ELECTRONIC TECHNOLOGIES, LLC AND SHOULD NOT BE USED WITHOUT WRITTEN PERMISSION	
DIMENSION UNITS	SCALE	CURRENT REV DESC: INITIAL RELEASE
$\nabla = 0$	mm	1:1
$\nabla = 0$	GENERAL TOLERANCES (UNLESS SPECIFIED)	
$\nabla = 0$	ANGULAR TOL $\pm 1.0^\circ$	
$\nabla = 0$	4 PLACES \pm	EC NO: 631635
$\nabla = 0$	3 PLACES \pm	DRWN: MDHARMANTI 2020/01/28
$\nabla = 0$	2 PLACES ± 0.05	CHK'D: RSILLER 2020/02/05
$\nabla = 0$	1 PLACE ± 0.3	APPR: RSILLER 2020/02/05
$\nabla = 0$	0 PLACES ± 0.5	INITIAL REVISION:
$\nabla = 0$	DRAFT WHERE APPLICABLE MUST REMAIN WITHIN DIMENSIONS	DRWN: SSM 2019/01/04
$\nabla = 0$	THIRD ANGLE PROJECTION	APPR: RSILLER 2020/01/17
	DRAWING	SERIES
	A2-SIZE	120251
	MATERIAL NUMBER	CUSTOMER
	SEE TABLE 1	GENERAL MARKET
	DOCUMENT NUMBER	DOC TYPE DOC PART REVISION
	1202510093	PSD 000 A1
	SHEET NUMBER	1 OF 2



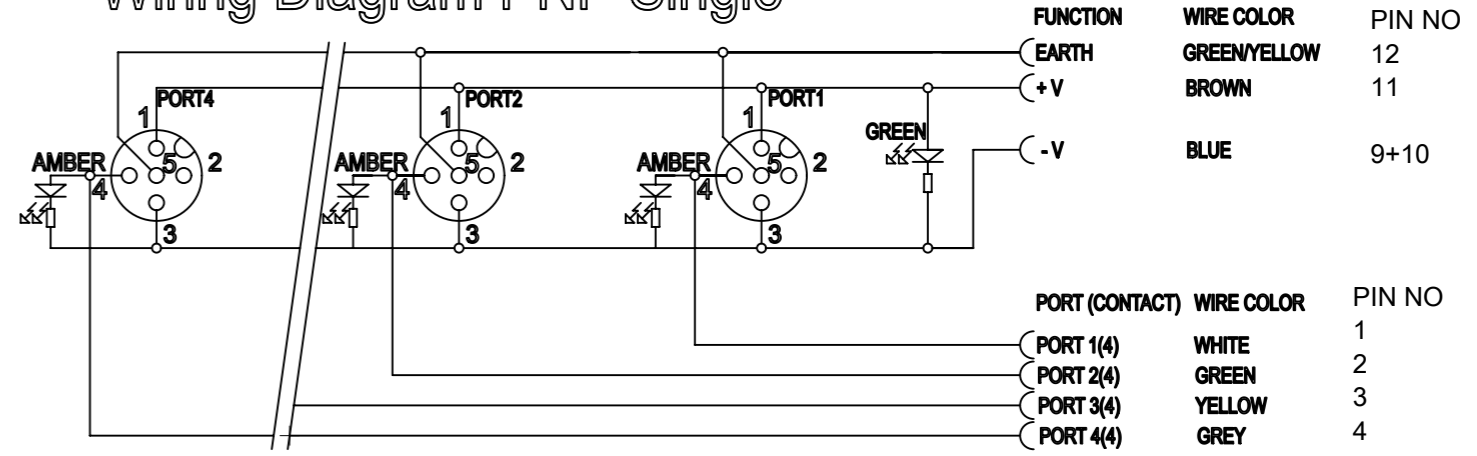
MPIS U12 PNP 4P 4PT 0.3M M23 12P BK

PRODUCT CUSTOMER DRAWING

Wiring Diagram NPN Single



Wiring Diagram PNP Single



CABLE LENGTH TOLERANCES

LENGTH [m]	TOLERANCE [mm]
0-1	+40
>1-5	+60
>5-10	+80
>10-20	+140
>20-30	+160
>30	+1% length

THIS DRAWING CONTAINS INFORMATION THAT IS PROPRIETARY TO MOLEX ELECTRONIC TECHNOLOGIES, LLC AND SHOULD NOT BE USED WITHOUT WRITTEN PERMISSION

SYMBOLS: $\nabla = 0$, $\nabla = 0$, $\nabla = 0$, $\nabla = 0$, $\nabla = 0$, $\nabla = 0$, $\nabla = 0$, $\nabla = 0$, $\nabla = 0$, $\nabla = 0$

DIMENSION UNITS: mm SCALE: 1:1 GENERAL TOLERANCES (UNLESS SPECIFIED): ANGULAR TOL: $\pm 1.0^\circ$ 4 PLACES: \pm 3 PLACES: \pm 2 PLACES: ± 0.05 1 PLACE: ± 0.3 0 PLACES: ± 0.5 DRAFT WHERE APPLICABLE MUST REMAIN WITHIN DIMENSIONS	CURRENT REV DESC: INITIAL RELEASE EC NO: 631635 DRWN: MDHARMANTI 2020/01/28 CHK'D: RSILLER 2020/02/05 APPR: RSILLER 2020/02/05 INITIAL REVISION: DRWN: SSM 2019/01/04 APPR: RSILLER 2020/01/17	
PRODUCT CUSTOMER DRAWING		DOCUMENT NUMBER: 1202510093 DOC TYPE: PSD DOC PART: 000 REVISION: A1
THIRD ANGLE PROJECTION:	DRAWING: A3-SIZE SERIES: 120251	MATERIAL NUMBER: SEE TABLE 1 CUSTOMER: GENERAL MARKET SHEET NUMBER: 2 OF 2