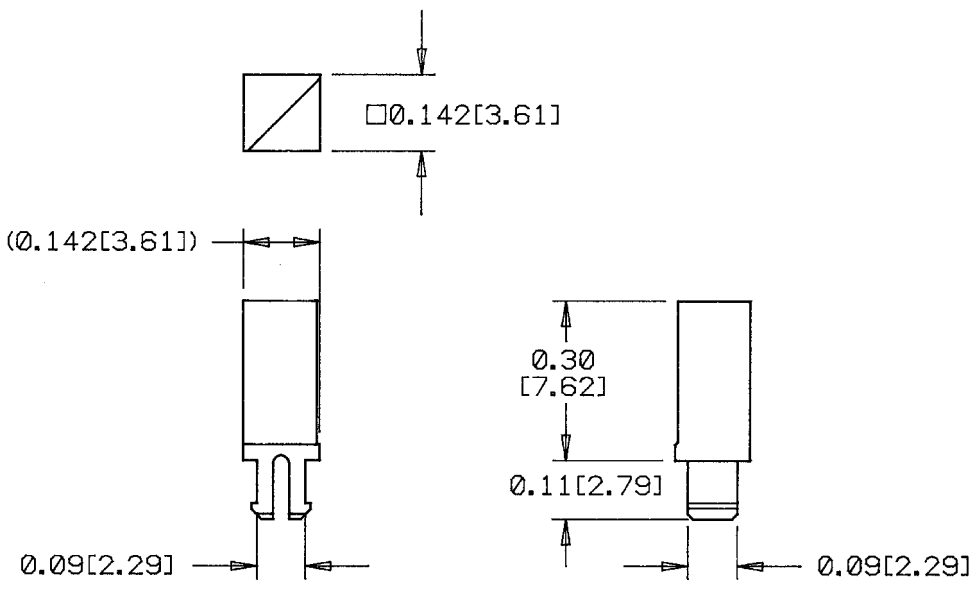


REVISIONS			
LTR	DESCRIPTION	DATE	APPROVED
A	ADD WEIGHT AND REDRAWN ON CAD PER ECN #T-0 8524	87 Jul 22	SJB
B	Revised Per ECN T-18229	6-9-93	Ø

NOTES:

1. MATERIAL: POLYARYLENE THERMOPLASTIC.
2. BRACKETD DIMENSIONS [] ARE IN METRIC [MM].



If this document is printed it becomes uncontrolled.
Check with the web for latest revision.

SPECIFICATION CONTROL DRAWING © Raychem Corporation 1987

UNLESS OTHERWISE SPECIFIED
DIMENSIONS ARE IN INCHES.
METRIC DIMENSIONS ARE
IN BRACKETS.

DECIMALS
.XXX ± .005 {0.13 mm}
.XX ± .01 {0.25 mm}

ANGLES
.X ±

WEIGHT MAX
0.0002lbs. {0.091g.}

DRAWN	W. JACKSON	12-8/81
CHECKED	J.B.	12-30-81
APPROVED	R.D. YATES	12-30-81
APPROVED	<i>[Signature]</i>	12-4-81
CONTRACT NO. F33657-81-C-0067		
THIRD ANGLE PROJECTION		

		RAYCHEM CORPORATION 300 CONSTITUTION DRIVE MENLO PARK, CALIFORNIA 94025	
		TITLE	
KEYING PIN, TRIANGULAR			
SIZE	CODE IDENT. NO.	DWG. NO.	REV
A	06090	CHA-0036	B
DO NOT SCALE THIS DRAWING			SHEET 1 OF 1