

41829-1 ✓ ACTIVE

FASTON | FASTON 250

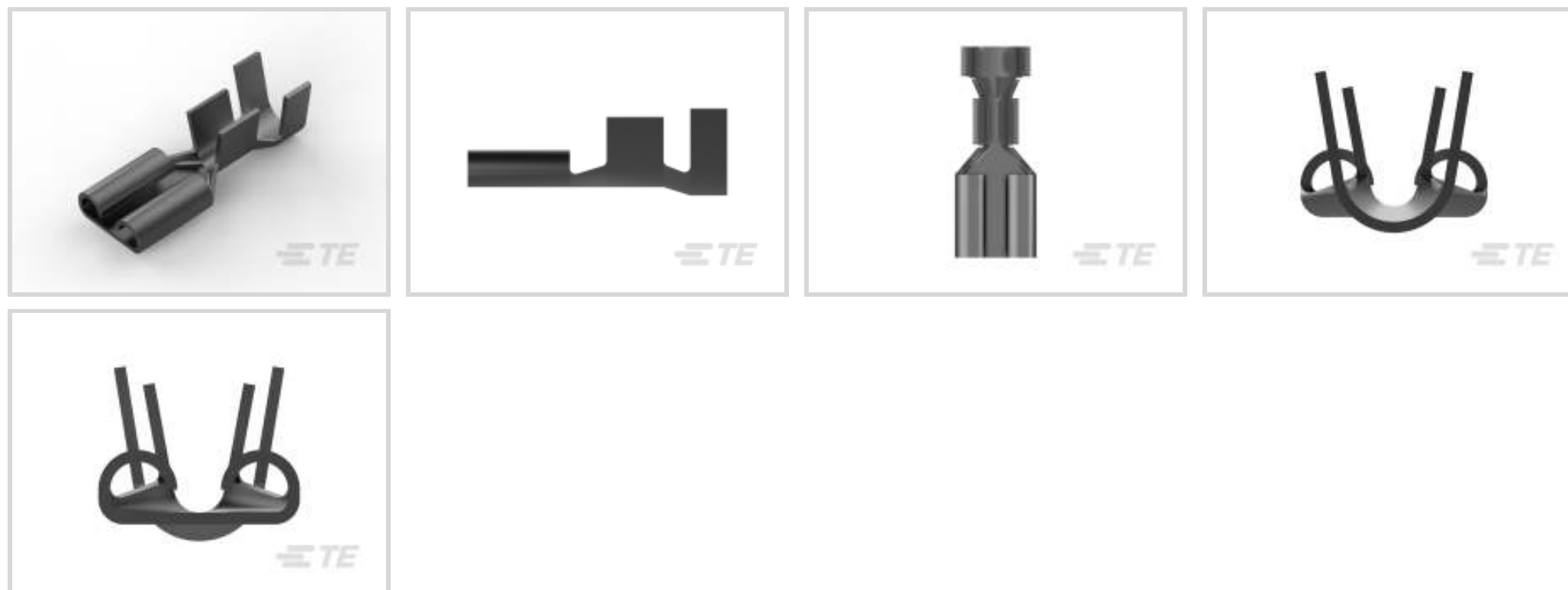
TE Internal #: 41829-1

Quick Disconnects, Receptacle, 14 – 12 AWG Wire Size, 2.1 – 3.31 mm² Wire Size, Mating Tab Width 6.35 mm [.25 in], Straight, Brass, FASTON 250

[View on TE.com >](#)



Terminals & Splices > Quick Disconnects



Quick Disconnect Terminal Type: **Receptacle**

Wire Size: **2.1 – 3.31 mm²**

Mating Tab Width: **6.35 mm [.25 in]**

Mating Tab Thickness: **.81 mm [.032 in]**

Features

Product Type Features

Insertion Force	Normal
-----------------	--------

Configuration Features

Connection Capacity	Single
---------------------	--------

Compatible With Wire & Cable Type	Discrete Wire
-----------------------------------	---------------

Contact Features

Quick Disconnect Terminal Type	Receptacle
--------------------------------	------------

Mating Tab Width	6.35 mm [.25 in]
------------------	------------------

Mating Tab Thickness	.81 mm [.032 in]
----------------------	------------------

Terminal Orientation	Straight
----------------------	----------

Contact Base Material	Brass
-----------------------	-------

Terminal Plating Material	Tin
---------------------------	-----

Crimp Type	F-Crimp
------------	---------

Barrel Type	Open
-------------	------

Termination Features



Product Terminates To	Wire & Cable
-----------------------	--------------

Mechanical Attachment

Wire Insulation Support	With
Mating Retention Type	Dimple

Dimensions

Terminal Material Thickness	.46 mm[.018 in]
Product Length	20.7 mm[.815 in]
Compatible Insulation Diameter Range	4.06 mm[.16 in]
Wire Size	2.1 – 3.31 mm ²

Usage Conditions

Insulation Option	Uninsulated
Operating Temperature Range	-40 – 110 °C[-40 – 230 °F]

Industry Standards

Agency/Standard	CSA, UL
-----------------	---------

Packaging Features

Packaging Quantity	500
Packaging Method	Loose Piece/Carton

Other

Line	Premier
------	---------

Product Compliance

[For compliance documentation, visit the product page on TE.com>](#)

EU RoHS Directive 2011/65/EU	Compliant
EU ELV Directive 2000/53/EC	Compliant
China RoHS 2 Directive MIIT Order No 32, 2016	No Restricted Materials Above Threshold
EU REACH Regulation (EC) No. 1907/2006	Current ECHA Candidate List: JUNE 2023 (235) Candidate List Declared Against: JUNE 2023 (235) Does not contain REACH SVHC
Halogen Content	Low Halogen - Br, Cl, F, I < 900 ppm per homogenous material. Also BFR/CFR/PVC Free
Solder Process Capability	Not applicable for solder process capability

Product Compliance Disclaimer

This information is provided based on reasonable inquiry of our suppliers and represents our current actual knowledge based on the information they provided. This information is subject to change. The part numbers that TE has identified as EU RoHS compliant have a maximum concentration of 0.1% by weight in homogenous materials for lead, hexavalent chromium, mercury, PBB, PBDE, DBP, BBP, DEHP, DIBP, and 0.01% for cadmium, or qualify for an exemption to these limits as defined in the Annexes of Directive 2011/65/EU (RoHS2). Finished electrical and electronic equipment products will be CE marked as required by Directive 2011/65/EU. Components may not be CE marked. Additionally, the part numbers that TE has identified as EU ELV compliant have a maximum concentration of 0.1% by weight in homogenous materials for lead, hexavalent chromium, and mercury, and 0.01% for cadmium, or qualify for an exemption to these limits as defined in the Annexes of Directive 2000/53/EC (ELV). Regarding the REACH Regulation, the information TE provides on SVHC in articles for this part number is based on the latest European Chemicals Agency (ECHA) 'Guidance on requirements for substances in articles' posted at this URL: <https://echa.europa.eu/guidance-documents/guidance-on-reach>

Compatible Parts



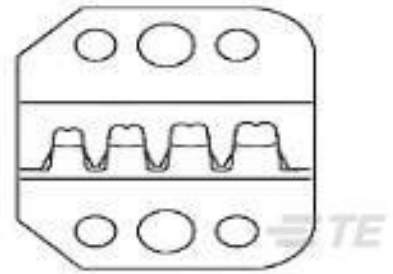
TE Part # 61810-2
FASTON .250 (6.3 MM) RECEPTACLE
TPBR



TE Part # 58525-1
PROCRIMPER TOOL & DIE



TE Part # 8-61765-1
FASTON, ADAPTER 250 HOUSING
REC&TAB TPBR



TE Part # 58525-2
PROCRIMPER DIE




TE Part # 61873-1
250 FASTON REC 18-14 AWG TPBR

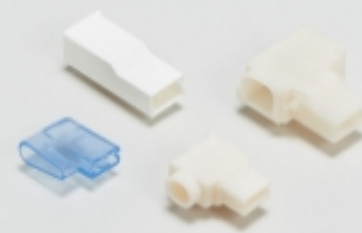


TE Part # 90120
DAHT 250 FASTON REC 14-10 ASSY


Also in the Series | FASTON 250



Compression Connectors(4)



Crimp Terminal Housings(142)



Insertion & Extraction Tools(6)



Magnet Wire Terminals(1)



PCB Terminals(135)

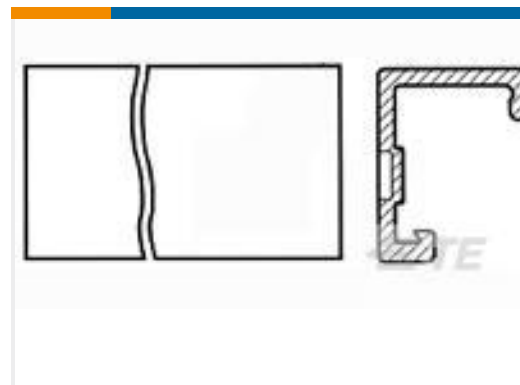


Quick Disconnects(445)



Splices(4)

Customers Also Bought

TE Part #DT8P-BT-BK
BOOT, 8P, REC, ST, BLKTE Part #640551-4
04P MTA156 COVERTE Part #608803-1
CABLE TIE MOUNT, 4-WAY, 1-1/8"TE Part #1423673-1
W51-A121B1-5=CKTBKR,THERM,
ROCKTE Part #DT2P-BT-BK
BOOT, 2P, REC, ST, BLKTE Part #170020-2
SHUR PLUG 20-14 MM2 TPBRTE Part #284863-1
SINGLE WIRE SEAL F.EXT.INS.DIATE Part #1-1337552-0
FME Str Jk Hex Nickel Pltd RG58C/U,
141ATE Part #927899-2
FF 250 TAB 22-18 AWG .015 TPPB LPTE Part #6-1393234-8
RP421024

Documents

Product Drawings

[250 FASTON REC 14-12 AWG TPBR](#)

English

CAD Files

[Customer View Model](#)

[ENG_CVM_CVM_41829-1_AN.2d_dxf.zip](#)

English

[3D PDF](#)



3D

Customer View Model

[ENG_CVM_CVM_41829-1_AN.3d_igs.zip](#)

English

Customer View Model

[ENG_CVM_CVM_41829-1_AN.3d_stp.zip](#)

English

By downloading the CAD file I accept and agree to the [Terms and Conditions](#) of use.

Product Specifications

[Application Specification](#)

English

[Wire Preparation And Crimp Inspection Guide](#)

English

Product Environmental Compliance

[TE Material Declaration](#)

English

Agency Approvals

[UL Report](#)

English