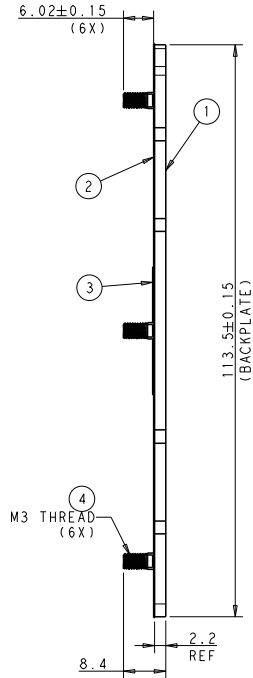
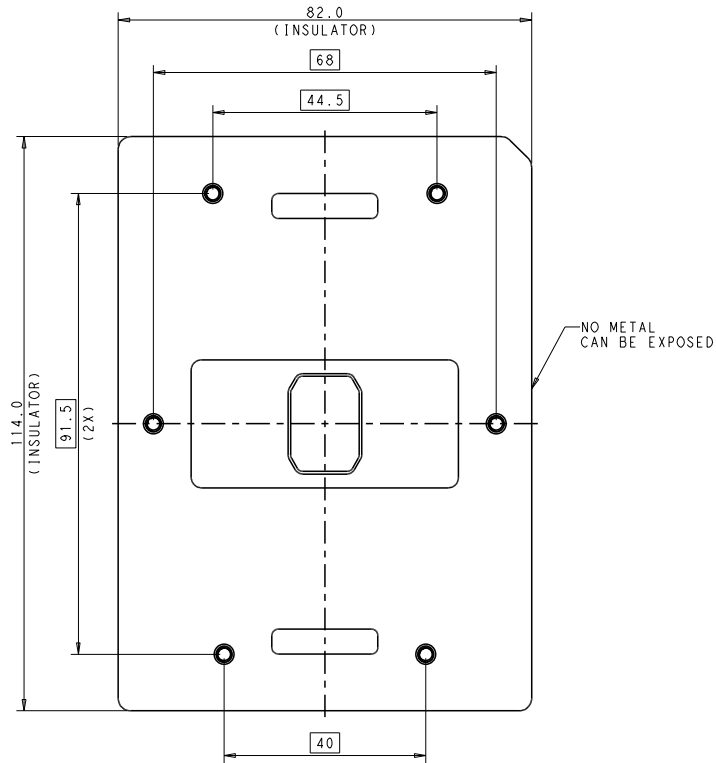
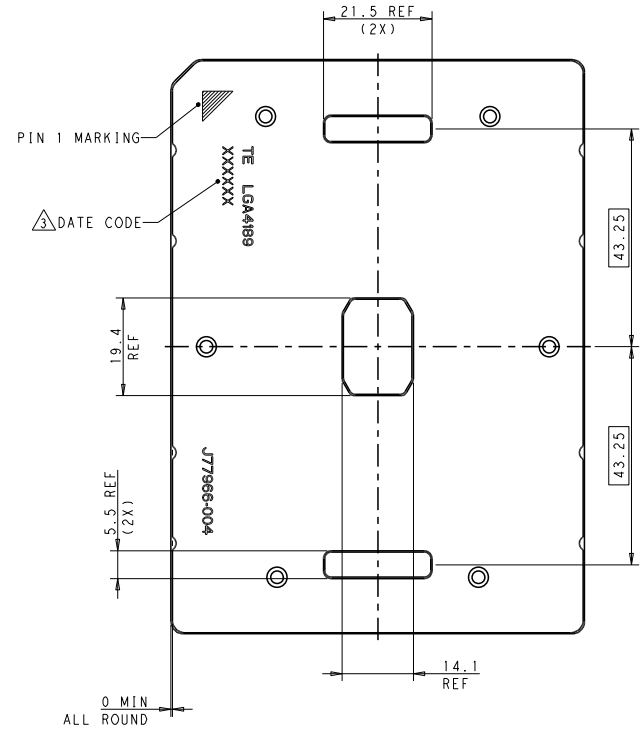


REVISIONS				
REV	DATE	DESCRIPTION	BY	APP
B		REVISED	J.W.S.L	

TOP VIEW (INSULATOR SIDE)



BOTTOM VIEW



PN 2-2330551-1 AS SHOW

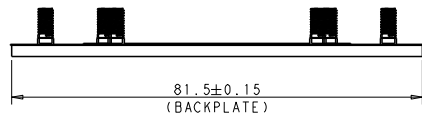
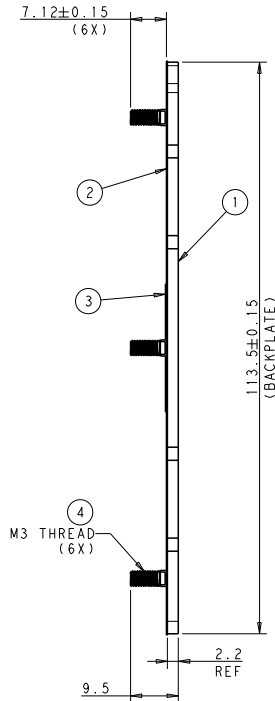
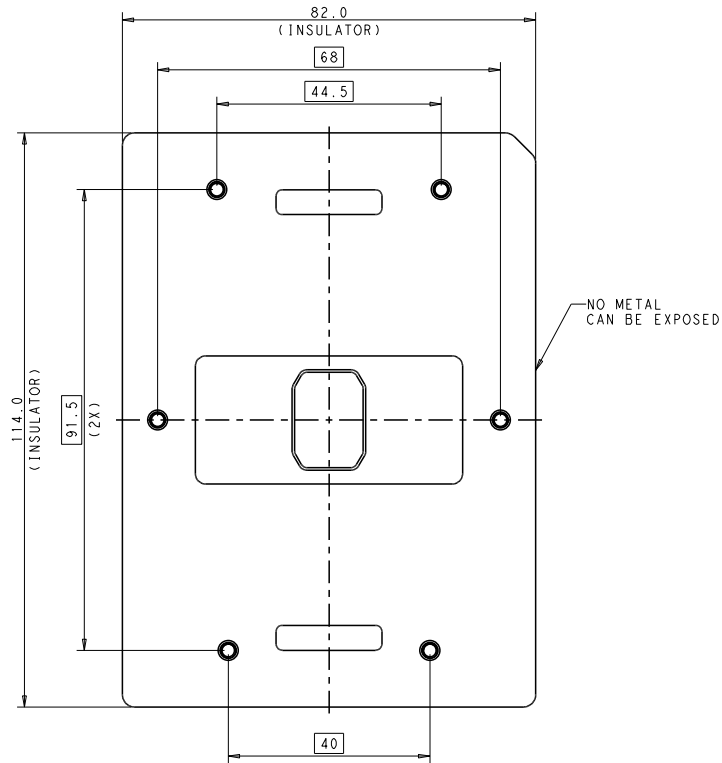
NOTE: (APPLIED TO ALL SHEET)

1. MATERIAL:
- ① BACK PLATE: CARBON STEEL, NI PLATING.
 - ② BACK PLATE INSULATOR: POLYCARBONATE FILM PLUS ACRYLIC ADHESIVE LAYER.
 - ③ EXTRA INSULATOR: POLYCARBONATE FILM PLUS ACRYLIC ADHESIVE LAYER.
 - ④ STUD: STEEL.
2. ASSEMBLED WITH BOLSTER ASSEMBLY P/N: 2330550 SERIES.
 STUD/NUT MUST BE ABLE TO ENGAGE WITH MOTHERBOARD THICKNESS:
 -FOR PN 2-2330551-1, IN THE RANGE OF 1.42MM-2.79MM
 -FOR PN 2-2330551-2, IN THE RANGE OF 2.79MM-3.94MM
- △ INDICATED DATE CODE ON THE BACK PLATE

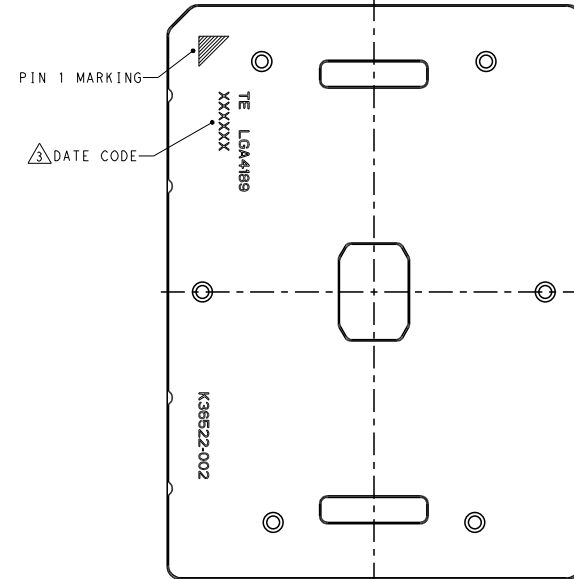
THIS DRAWING IS A CONTROLLED DOCUMENT.		REV. MANG. 08FEB2018	STE TE Connectivity	
DIMENSIONS:		CHK. BILL LV. 08FEB2018	NAME	
QUANTITIES:		APPROV. SIMON L.L	PRODUCT SPEC	
DRAWING SPEC:		APPLICATION SPEC	SIZE	
MATERIAL:		FINISH:	HEIGHT:	RESTRICTED TO
CUSTOMER DRAWING		SCALE: 2:1	SHEET 1 OF 3	REV. 1

REVISIONS				
NO.	DATE	DESCRIPTION	BY	APP.

TOP VIEW (INSULATOR SIDE)

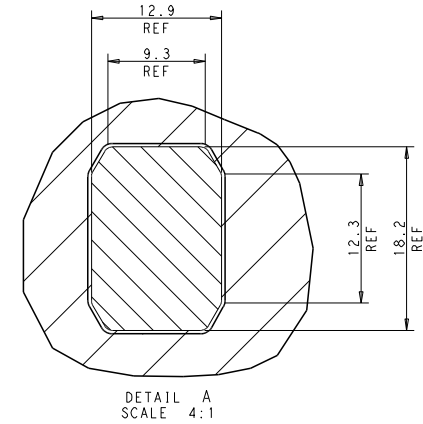
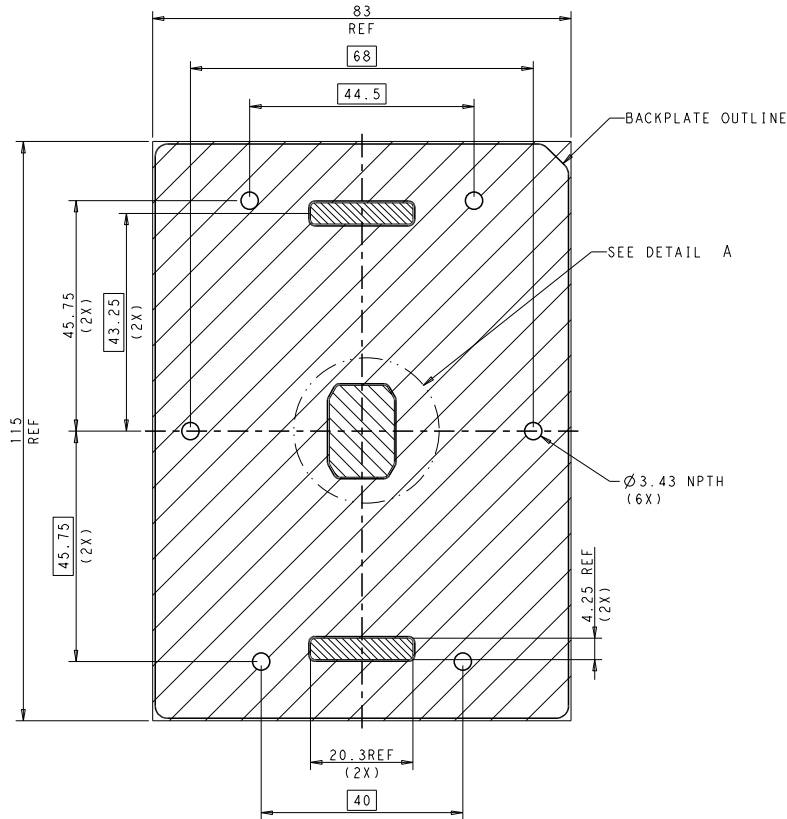


BOTTOM VIEW



PN 2-2330551-2 AS SHOW
UNLESS SPECIFIED DIMENSION
ARE SAME WITH 2-2330551-1

THIS DRAWING IS A CONTROLLED DOCUMENT.		REV. 08FEB2018	STMicroelectronics	
DIMENSIONS:		REF. MAN. 08FEB2018	TE Connectivity	
TOLERANCES UNLESS OTHERWISE SPECIFIED:		CHK. 08FEB2018	ICX BACKPLATE ASSY	
0	PLC ±0.3	ILL. LV. 08FEB2018	NAME: SIMON L I	
1	PLC ±0.3	APP. 08FEB2018	PRODUCT SPEC	
2	PLC ±0.3		APPLICATION SPEC	
3	PLC ±0.3		MATERIAL	
4	PLC ±0.3		FINISH	
MATERIAL:		SIZE: A1	EAGE CODE: 00779	DRAWING NO: 2330551
FINISH:		RESTRICTED TO:		SCALE: 2:1
CUSTOMER DRAWING		SHEET 2 OF 3		REV. 0



KOZ LEGEND	
	BACKPLATE ZONE. NO OTHER COMPONENT PLACEMENT ALLOWED. 0.0MM HEIGHT RESTRICTION
	SECONDARY SIDE SOCKET CAVITY ZONE. 1.8MM MAX COMPONENT HEIGHT.
	SECONDARY SIDE COMPONENT PLACEMENT ZONE. 1.8MM MAX COMPONENT HEIGHT.

REFERENCE BACKPLATE KEEPOUT ZONE
FOR GENERAL BOARD DESIGN, PLEASE REFER TO THE THERMAL AND MECHANICAL DESIGN GUIDELINES PROVIDED BY INTEL

THIS DRAWING IS A CONTROLLED DOCUMENT.		REV. WANG 08FEB2018	 TE Connectivity
DIMENSIONS: (UNLESS OTHERWISE SPECIFIED)		CHEN 08FEB2018	
0 P/C 40.3 1 P/C 40.3 2 P/C 40.3 3 P/C 40.3 4 P/C 40.3		BILL J.V. 08FEB2018 SIMON J.L. PRODUCT SPEC APPLICATION SPEC INCHES MATERIAL FINISH	NAME ICX BACKPLATE ASSY SIZE A1 EAGE CODE DRAWING NO 00779 ©=2330551 RESTRICTED TO CUSTOMER DRAWING
SCALE 2:1		SHEET 3 OF 3	REV D