



No.11-3 Jianguo Rd., T.E.P.Z. 42760 Taiwan, ROC

All dimensions are millimeters.

CAD:	TCR
Review:	EG
Appr:	JL
Page:	1/4
Date:	August 01, 2022

**Specification Title:**

**Microprocessor Crystal Unit  
Automotive Grade  
1.6 x 1.2 millimeter Surface Mount - 4 Pad  
General Product Specification**

**Series Name: C16 Auto Series**

**Electrical Specifications:**

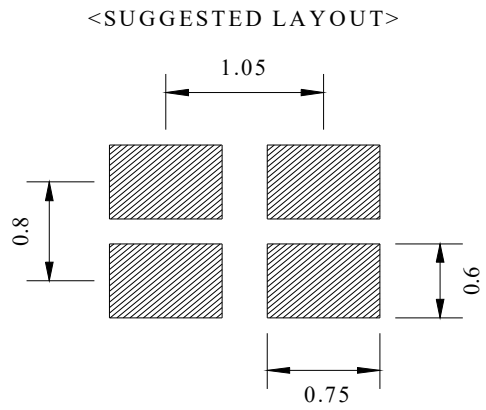
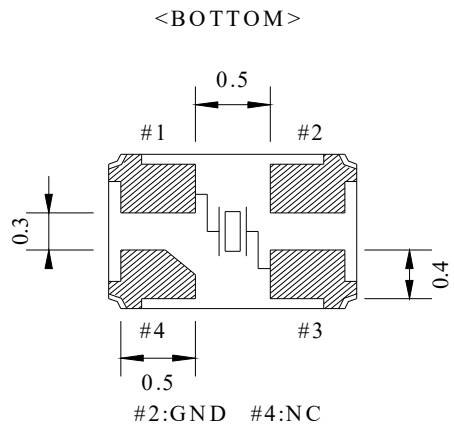
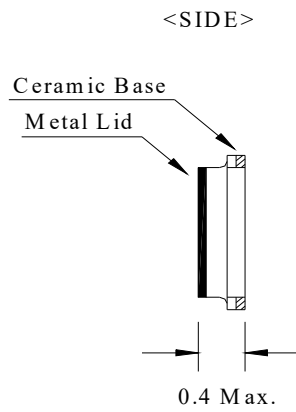
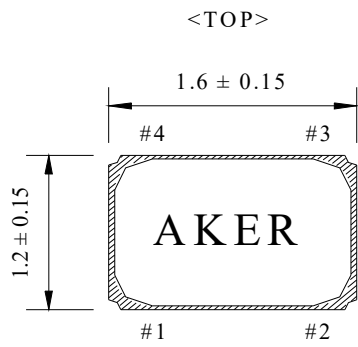
Frequency Range		24.000 to 60.000	MHz
Mode of Oscillation	Fundamental	24.000 to 60.000	MHz
Frequency Tolerance at 25°C	Standard	±30	PPM Max (Note 1)
		±50	
	Optional	±20	
		±15	
		±10	
Frequency Stability over Temperature Range	Standard	±50	PPM Max (Note 1)
		±100	
	Optional	±30	
		±25	
		±20	
Operating Temperature Range	Standard	-40 to +85	°C
	Extended	-40 to +125	
Storage Temperature Range		-55 to +150	
Aging		±3	PPM Max/Year
Load Capacitance		6 to 47 and Series Resonance	pF
Shunt Capacitance		3.0	
Equivalent Series Resistance(ESR)		See ESR Table	Ohm
Drive Level		100	uW Max
Insulation Resistance		500 at 100 Vdc ± 15 Vdc	M Ohm

**Frequency Range and ESR Values:**

Frequency Range in MHz	ESR Ohm Max	Mode of Operation
24.000 to 29.999	150	Fundamental
30.000 to 31.999	100	Fundamental
32.000 to 39.999	80	Fundamental
40.000 to 60.000	60	Fundamental

RoHS Compliant Pb - Lead Free	Ltr	Revisions	Date	Appr

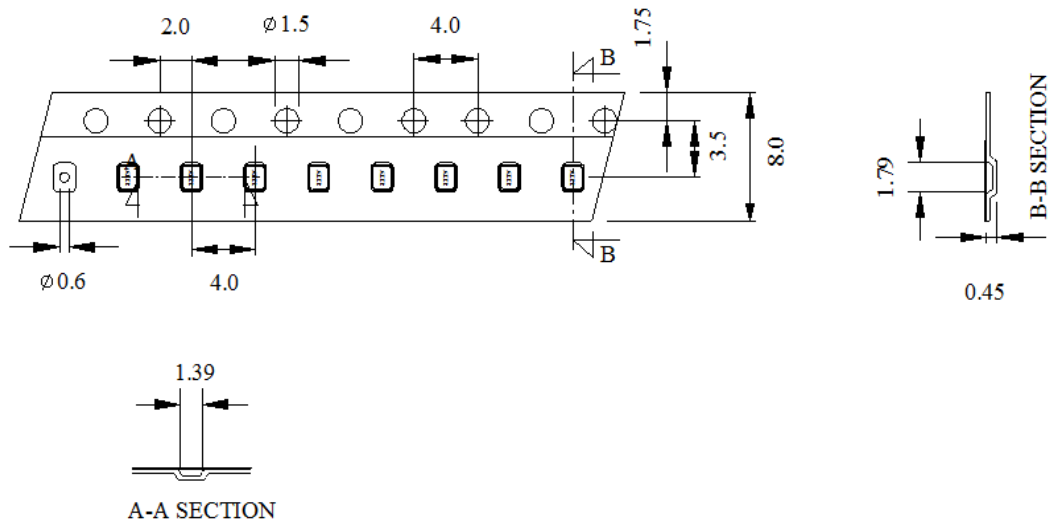
**Mechanical Outline:**



**Package is Seam Sealed Ceramic-Metal.  
Dimensions are millimeters.**

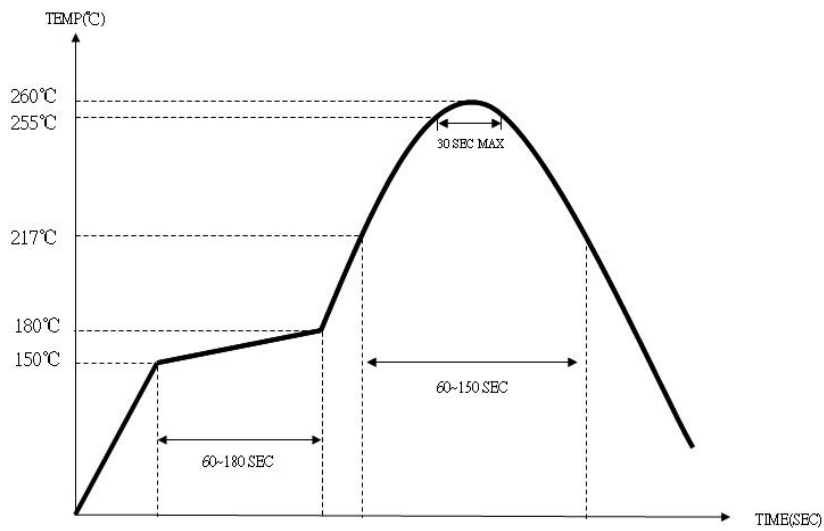
Page: 2/4	Date: August 01, 2022	P/N: <b>C16 Auto Series</b>	
-----------	-----------------------	-----------------------------	--

**Carrier Tape Dimensions:**



**Dimensions are millimeters.**

**Solder Reflow Characteristics:**



Page:	3/4	Date: August 01, 2022	P/N:	<b>C16 Auto Series</b>
-------	-----	-----------------------	------	------------------------

**How to build a Part Number:**

<b>Series</b>	<b>C</b>	<b>Parameter</b>	
<b>Package</b>	<b>16</b>	<b>1.6 x 1.2 mm - 4 Pad</b>	
		-	
<b>Frequency</b>	<b>24.000 to 60.000</b>	<b>MHz</b>	
		-	
<b>Load Capacitance</b>	<b>6</b>	<b>6pF</b>	
	<b>10</b>	<b>10 pF</b>	
	<b>12</b>	<b>12 pF</b>	
	<b>16</b>	<b>16 pF</b>	
	<b>18</b>	<b>18 pF</b>	
	<b>20</b>	<b>20 pF</b>	
	<b>32</b>	<b>32 pF</b>	
	<b>S</b>	<b>Series</b>	
		-	
<b>Frequency Tolerance (Note 1)</b>	<b>Standard</b>	<b>30</b>	<b>±30PPM</b>
	<b>Option</b>	<b>50</b>	<b>±50PPM</b>
		<b>20</b>	<b>±20PPM</b>
		<b>15</b>	<b>±15PPM</b>
		<b>10</b>	<b>±10PPM</b>
<b>Frequency Stability (Note 1)</b>	<b>Standard</b>	<b>50</b>	<b>±50PPM</b>
	<b>Option</b>	<b>100</b>	<b>±100PPM</b>
		<b>30</b>	<b>±30PPM</b>
		<b>25</b>	<b>±25PPM</b>
		<b>20</b>	<b>±20PPM</b>
		-	
<b>AECQ-200</b>	<b>A</b>	<b>Automotive</b>	
		-	
<b>Temperature Range</b>	<b>Standard</b>	<b>X</b>	<b>-40 to +85 °C</b>
	<b>Option</b>	<b>X1</b>	<b>-40 to +125 °C</b>
	<b>Option</b>	<b>X2</b>	<b>-40 to +105 °C</b>
		-	
<b>Packaging</b>		<b>M</b>	<b>250pcs Reel</b>
		<b>R</b>	<b>1000pcs Reel</b>
		<b>R3</b>	<b>3000pcs Reel</b>

**Part Number Example:**

**C16-40.000-10-3030-A-X-R**

**C16- 1.6 x 1.2 mm SMD Seam Seal Crystal Unit - 4 Pad**

**40.000 MHz Nominal Frequency**

**10 pF Load Capacitance**

**3030: ±30 PPM Frequency Tolerance and ±30 PPM Frequency Stability**

**A: Automotive Grade**

**-40 to +85°C Temperature Range**

**R: Tape and Reel Packaging - 1000pcs**

**Notes:**

**1- Frequency Tolerance and Stability options are limited due to physical size.**

**2- Product is shipped in Tape and Reel configuration**

**3- Quantities less than 250pcs are shipped in tape only.**

**4- Specification subject to change without notice.**

Page: 4/4	Date: August 01, 2022	P/N: <b>C16 Auto Series</b>	
-----------	-----------------------	-----------------------------	--