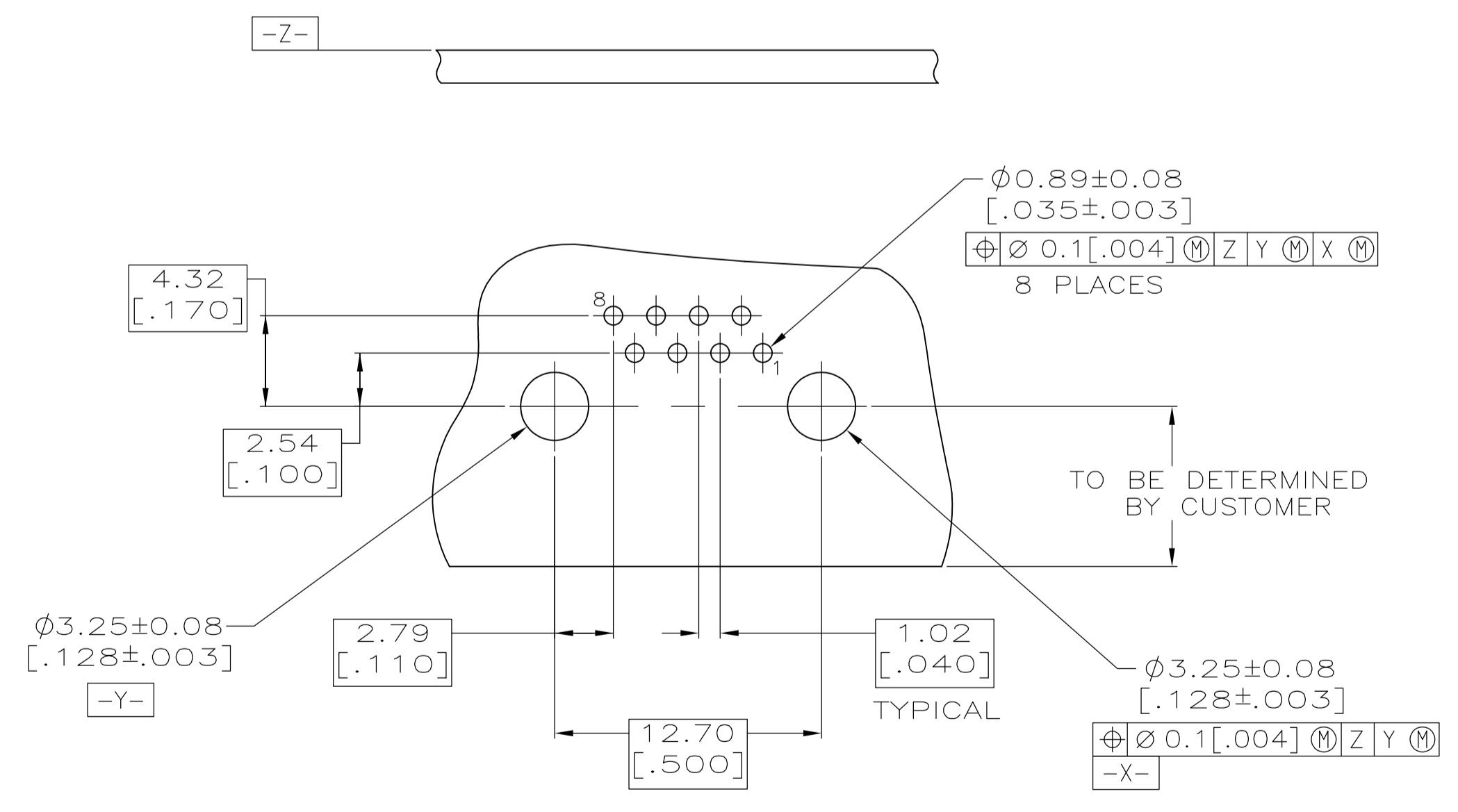
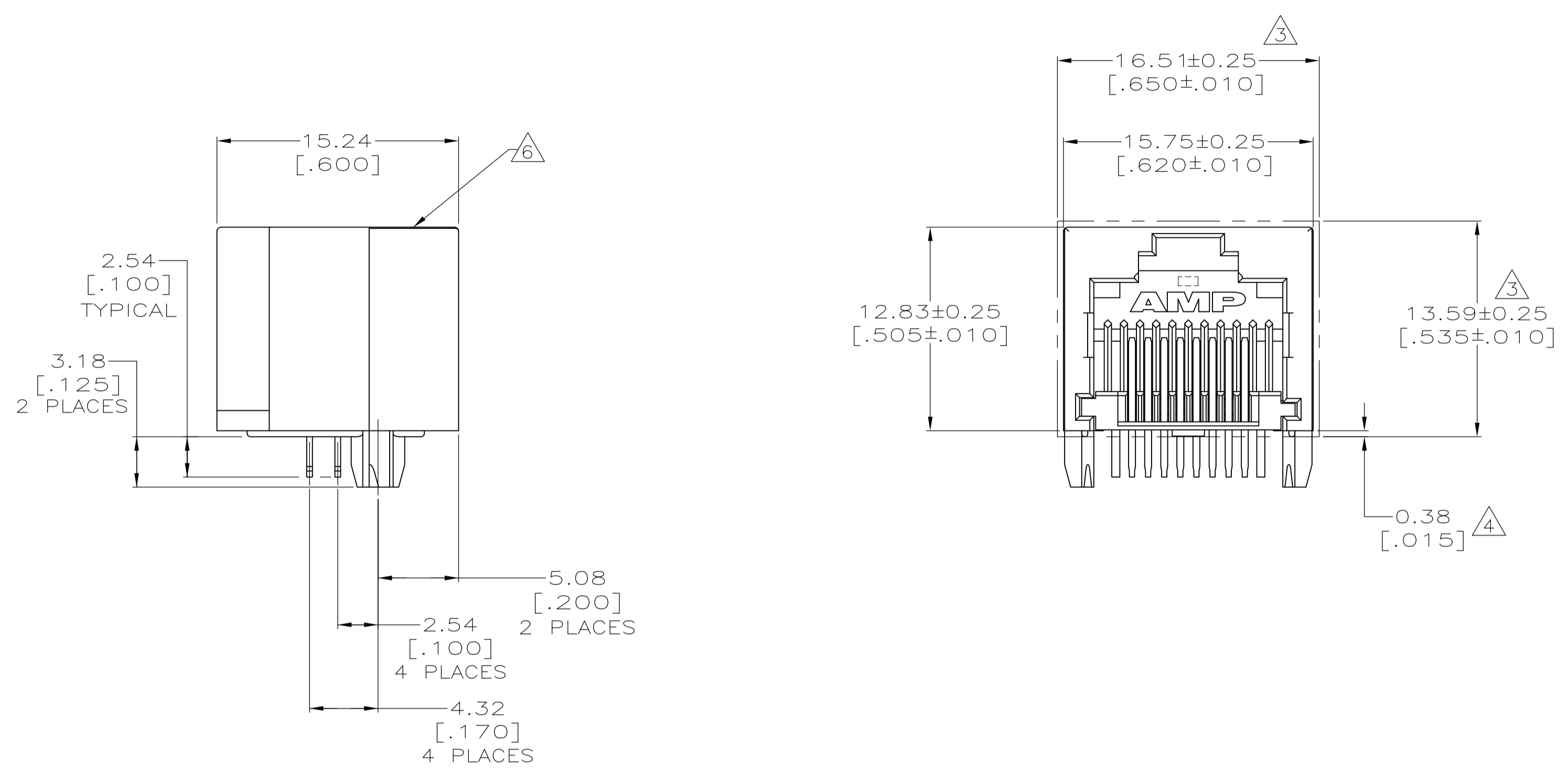


LOC		DIST		REVISIONS			
P	LTR	DESCRIPTION	DATE	DNW	APVD		
1		PRELIMINARY	18MAY2012	JJ	AC		



SUGGESTED PRINTED CIRCUIT BOARD LAYOUT  
(COMPONENT SIDE)

- △ MATERIAL: POLYESTER LCP  
BLACK, UL94V-0; LEAD FREE IR REFLOW SOLDERING PROCESS COMPATIBLE.  
TERMINALS - .36[.014] THICK PHOS BRONZE PLATED WITH 3.81 μm[.000150] MINIMUM THICK (SEE P/N TABLE) IN SOLDER AREA. 1.27μm [0.00050] MINIMUM GOLD IN LOCALIZED PLATE AREA. ENTIRE TERMINAL PLATED WITH 1.27μm [0.00050] MINIMUM THICK NICKEL.
- 2. JACK CAVITY CONFORMS TO FCC RULES AND REGULATIONS PART 68, SUBPART F.
- △ SUGGESTED PANEL OPENING DIMENSIONS.
- △ SUGGESTED CLEARANCE BETWEEN BOTTOM OF CONNECTOR AND BOTTOM PANEL OPENING.
- △ 80 PIECES/TRAY, 10 TRAYS/BOX.
- △ MANUFACTURING DATE CODE:  
INK STAMP, LOCATED APPROX. AS SHOWN.  
FIRST 2 DIGITS = LAST 2 DIGITS OF YEAR.  
NEXT 2 DIGITS = MANUFACTURING WORK WEEK.  
LAST DIGIT = DAY OF WEEK WITH SUNDAY = 1.

THIS PRINT IS  
**PRELIMINARY**  
UNQUALIFIED PRODUCT  
CONTACT PRODUCT ENGINEERING  
BEFORE USING THIS PRINT

THIS DRAWING IS A CONTROLLED DOCUMENT.		MATERIAL FINISH		MATERIAL		MATERIAL		MATERIAL		MATERIAL		MATERIAL		MATERIAL		MATERIAL		MATERIAL		MATERIAL	
DIMENSIONS:		TOLERANCES UNLESS OTHERWISE SPECIFIED:		MATERIAL		MATERIAL		MATERIAL		MATERIAL		MATERIAL		MATERIAL		MATERIAL		MATERIAL		MATERIAL	
mm [INCHES]		0 PLC ± - 1 PLC ± - 2 PLC ± 0.25[.010] 3 PLC ± 0.13[.005] 4 PLC ± - ANGLES ± -		-		-		-		-		-		-		-		-		-	
BIN		17MAY2012		BIN		17MAY2012		BIN		17MAY2012		BIN		17MAY2012		BIN		17MAY2012		BIN	
CHK		Denny Zhu		CHK		Denny Zhu		CHK		Denny Zhu		CHK		Denny Zhu		CHK		Denny Zhu		CHK	
APVD		Alex Cui		APVD		Alex Cui		APVD		Alex Cui		APVD		Alex Cui		APVD		Alex Cui		APVD	
NAME		108-1163-4		NAME		108-1163-4		NAME		108-1163-4		NAME		108-1163-4		NAME		108-1163-4		NAME	
PRODUCT SPEC		114-2154		PRODUCT SPEC		114-2154		PRODUCT SPEC		114-2154		PRODUCT SPEC		114-2154		PRODUCT SPEC		114-2154		PRODUCT SPEC	
APPLICATION SPEC		A1		APPLICATION SPEC		A1		APPLICATION SPEC		A1		APPLICATION SPEC		A1		APPLICATION SPEC		A1		APPLICATION SPEC	
SIZE		A1		SIZE		A1		SIZE		A1		SIZE		A1		SIZE		A1		SIZE	
CAGE CODE		00779		CAGE CODE		00779		CAGE CODE		00779		CAGE CODE		00779		CAGE CODE		00779		CAGE CODE	
DRAWING NO		2170354		DRAWING NO		2170354		DRAWING NO		2170354		DRAWING NO		2170354		DRAWING NO		2170354		DRAWING NO	
RESTRICTED TO		-		RESTRICTED TO		-		RESTRICTED TO		-		RESTRICTED TO		-		RESTRICTED TO		-		RESTRICTED TO	
CUSTOMER DRAWING		SCALE		CUSTOMER DRAWING		SCALE		CUSTOMER DRAWING		SCALE		CUSTOMER DRAWING		SCALE		CUSTOMER DRAWING		SCALE		CUSTOMER DRAWING	
SCALE		4:1		SCALE		4:1		SCALE		4:1		SCALE		4:1		SCALE		4:1		SCALE	
SHEET		1		SHEET		1		SHEET		1		SHEET		1		SHEET		1		SHEET	
OF		1		OF		1		OF		1		OF		1		OF		1		OF	
REV		1		REV		1		REV		1		REV		1		REV		1		REV	