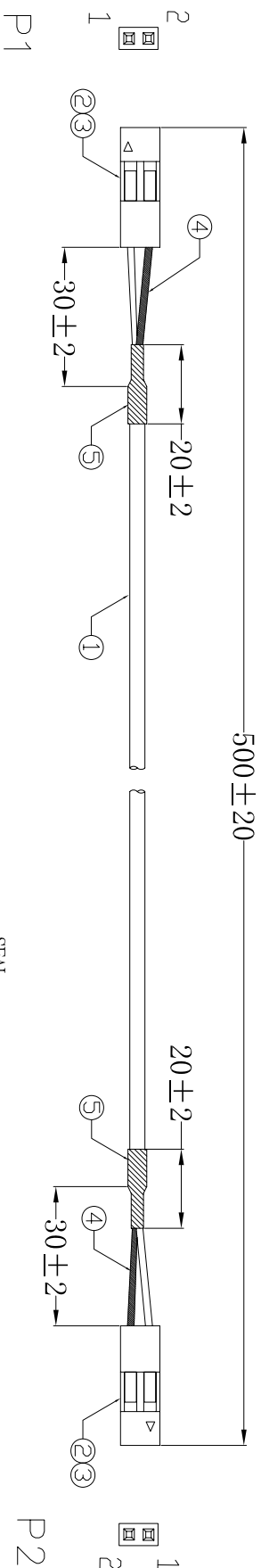


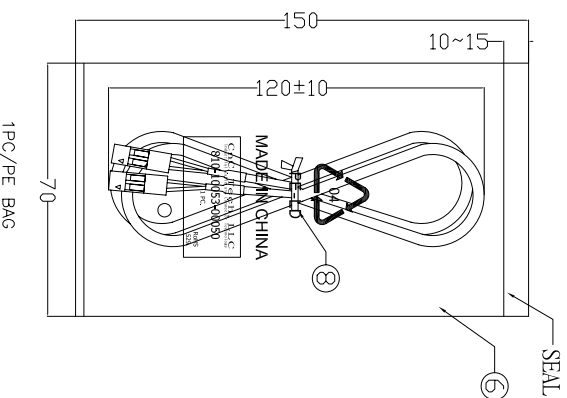
UNIT:MM



PIN ASSIGNMENT:

P1	P2
1	1
2	2

红色 缠绕



⑧	TIE	1	BLACK L=80mm
⑦	PE BAG	1/10	CLEAR SIZE:180*200*0.05mm PRINT BLACK"MADE IN CHINA"+"10PCS" 及印生产周期,有透气孔.
⑥	PE BAG	1	CLEAR SIZE:70*150*0.05mm PRINT BLACK"MADE IN CHINA"+"1PC"及印生产周期,有透气孔.
⑤	TUBE	2	HEAT SHRINK TUBE BLACK OD3.0*1.20MM
④	TUBE	2	HEAT SHRINK TUBE BLACK OD1.0*1.33MM
③	TER	4	杜邦 TER PH2.54mm CRIMP TYPE MATERIAL:BRASSB 镀半金.
②	HSG	2	杜邦 HSG 1*2P PH:2.54mm INSULATOR COLOR:BLACK
①	CABLE	1	UL1185 1C(26AWG INSULATOR COLOR RED)+S JACKET BLACK OD2.5mm

DRAWN BY		LICHENG		DARWING NO.	
CHECKED BY				CUSTOMER	
APPROVAL BY				ITEM NO.	
DECIDE BY				DATE	
VERSIONS/EDITION		A/0		PROJECTION	

Cnc Tech, LLC

810-10053-00050

2012-12-17

