


**RoHS compliant**

Unit: mm

Scale	Free					Date	Name	Customer-No.
TOLERANCE						Drawn	17.08.2017	S.Bölling
0~6	±0.10					Approved	17.08.2017	S.Bölling
6~30	±0.20							
30~120	±0.30							
120~400	±0.50							
		1	Update Dimension (page 5)	01.04.2019	M.Rosander			
DIM	Tol	©	Drawn	17.08.2017	S.Bölling			
Angle	±1°							
Angle	Tol	Id.	Modification	Date	Name			

Customer-No.

ASSMANN WSW-No.  
**ACOV-SUB-09NB19**

Drawing-No.  
**ASS\_5260\_CO** rev01

Replace  
Sheet 1/5

1

2

3

4

5

6

7

A

B

C

D

E

F

G

H

A

B

C

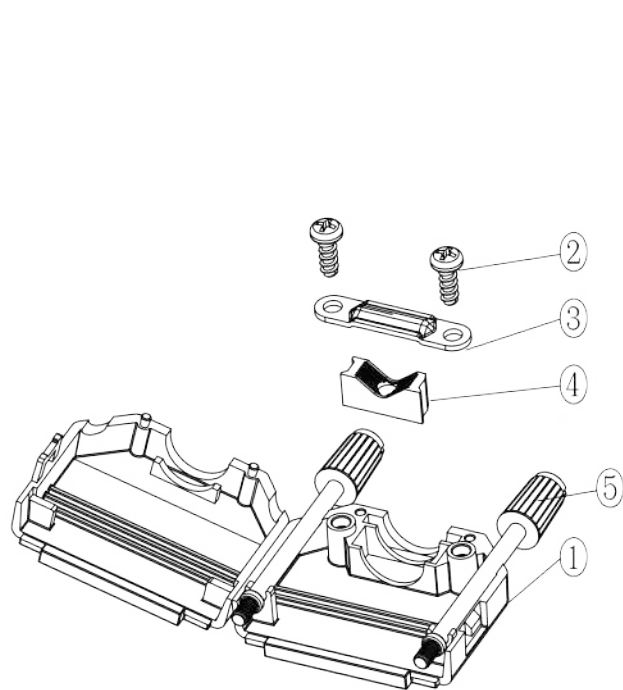
D

E

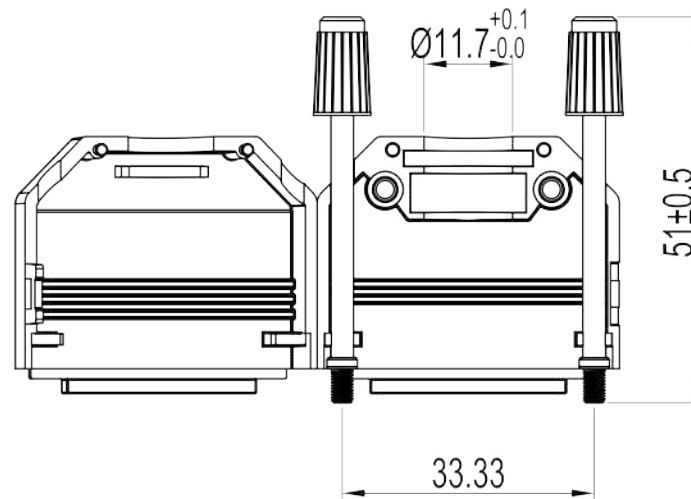
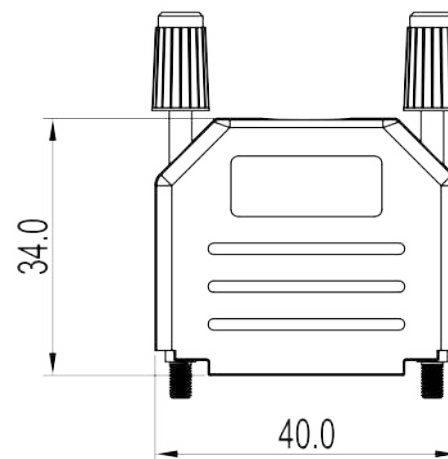
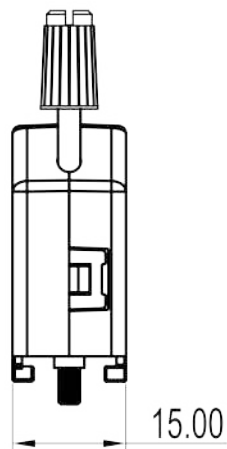
F

G

H



Item	QTY	Part description
1	1	Plastic Cover
2	2	EPS 3x8 Self Tapping Screw
3	1	Cable Clamp
4	1	Plastic Insert
5	2	Jackscrews UNC4-40x51mm



#### TECHNICAL SPECIFICATIONS

Material: Plastic (PA), UL94-HB  
 Colour: White  
 Operating Temperature: -55°C to +110°C  
 Thumbscrews: UNC 4-40

No. of contacts: 09-15-25-37-50

**RoHS compliant**  
 Unit: mm

Scale	Free				Date	Name	Customer-No.
TOLERANCE					Drawn	17.08.2017	S. Bölling
0~6	±0.10				Approved	17.08.2017	S. Bölling
6~30	±0.20						
30~120	±0.30						
120~400	±0.50	1	Update Dimension (page 5)	01.04.2019	M. Rosander		
DIM	Tol	Ⓞ	Drawn	17.08.2017	S. Bölling		
Angle	±1°						
Angle	Tol	Id.	Modification	Date	Name		

**ASSMANN**  
 WSW components

ASSMANN WSW-No.  
**ACOV-SUB-15NB19**

Drawing-No.  
**ASS\_5260\_CO** rev01

Replace  
 Sheet 2/5

1

2

3

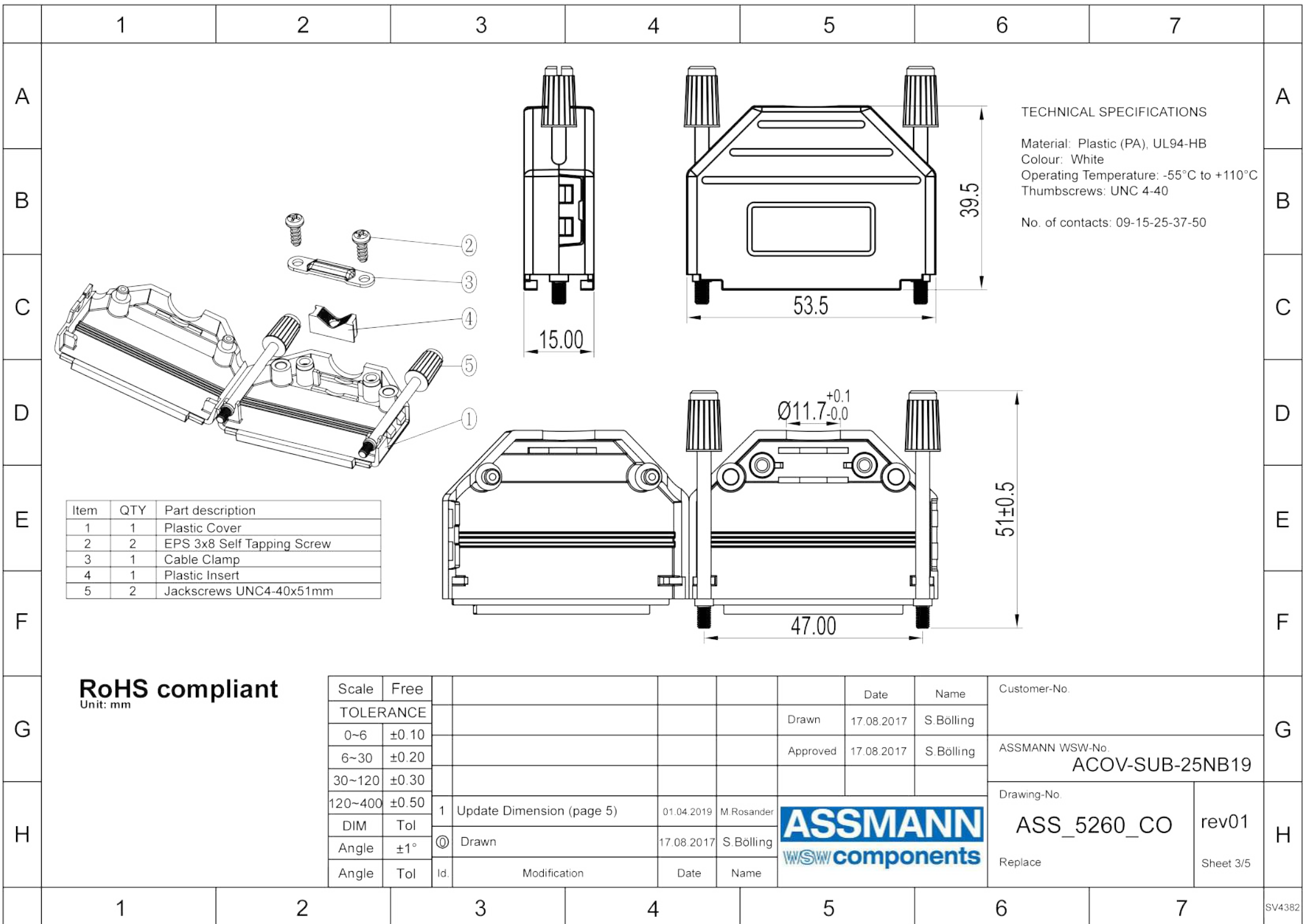
4

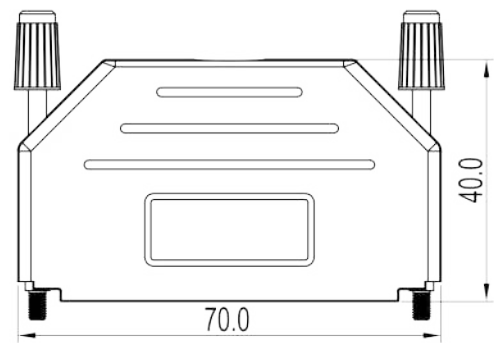
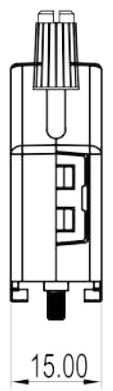
5

6

7

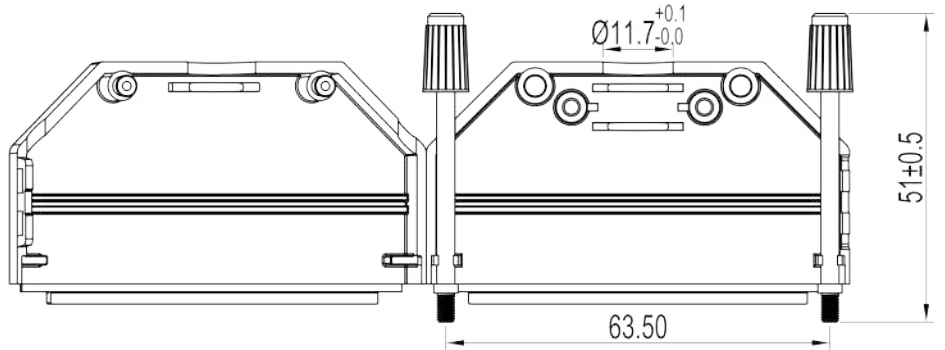
SV4382





**TECHNICAL SPECIFICATIONS**  
 Material: Plastic (PA), UL94-HB  
 Colour: White  
 Operating Temperature: -55°C to +110°C  
 Thumbscrews: UNC 4-40  
 No. of contacts: 09-15-25-37-50

Item	QTY	Part description
1	1	Plastic Cover
2	2	EPS 3x8 Self Tapping Screw
3	1	Cable Clamp
4	1	Plastic Insert
5	2	Jackscrews UNC4-40x51mm



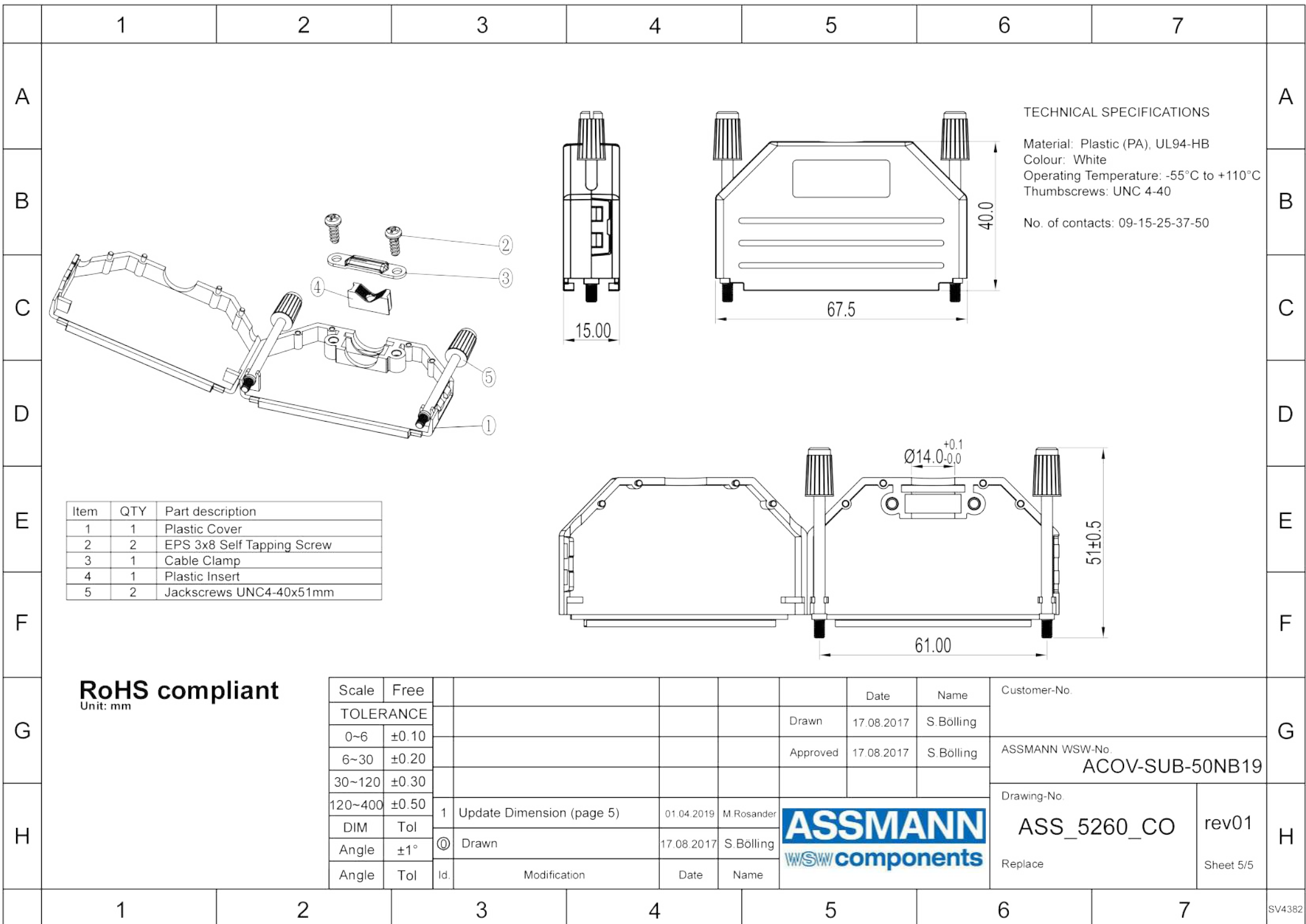
**RoHS compliant**  
 Unit: mm

Scale	Free				Date	Name	Customer-No.
TOLERANCE					Drawn	17.08.2017	S. Bölling
0~6	±0.10				Approved	17.08.2017	S. Bölling
6~30	±0.20						
30~120	±0.30						
120~400	±0.50	1	Update Dimension (page 5)	01.04.2019	M. Rosander		
DIM	Tol	Ⓞ	Drawn	17.08.2017	S. Bölling		
Angle	±1°						
Angle	Tol	Id.	Modification	Date	Name		

ASSMANN WSW-No.  
**ACOV-SUB-37NB19**



Drawing-No.  
**ASS\_5260\_CO** rev01  
 Replace Sheet 4/5



**TECHNICAL SPECIFICATIONS**

Material: Plastic (PA), UL94-HB  
 Colour: White  
 Operating Temperature: -55°C to +110°C  
 Thumbscrews: UNC 4-40  
 No. of contacts: 09-15-25-37-50

Item	QTY	Part description
1	1	Plastic Cover
2	2	EPS 3x8 Self Tapping Screw
3	1	Cable Clamp
4	1	Plastic Insert
5	2	Jackscrews UNC4-40x51mm

**RoHS compliant**  
 Unit: mm

Scale	Free					Date	Name	Customer-No.
TOLERANCE						Drawn	17.08.2017	S. Bölling
0~6	±0.10					Approved	17.08.2017	S. Bölling
6~30	±0.20							
30~120	±0.30							
120~400	±0.50	1	Update Dimension (page 5)	01.04.2019	M Rosander			
DIM	Tol	Ⓞ	Drawn	17.08.2017	S. Bölling			
Angle	±1°							
Angle	Tol	Id.	Modification	Date	Name			

ASSMANN WSW-No. <b>ACOV-SUB-50NB19</b>	
Drawing-No. <b>ASS_5260_CO</b>	rev01
Replace	Sheet 5/5