



**Electrical Specifications**

**Center Frequency:** 413 MHz  
**Bandwidth:** 2.6 MHz  
**Pass Band:** 411.7-414.3 MHz  
**Insertion Loss:** 3.5 dB Max  
**Ripple:** 1.0 dB Max  
**VSWR in Bandwidth:** 1.50:1 Max  
**Attenuation:** >47 dBc @ Fo ± 28.5 MHz  
**In/Out Impedance:** 50 Ω

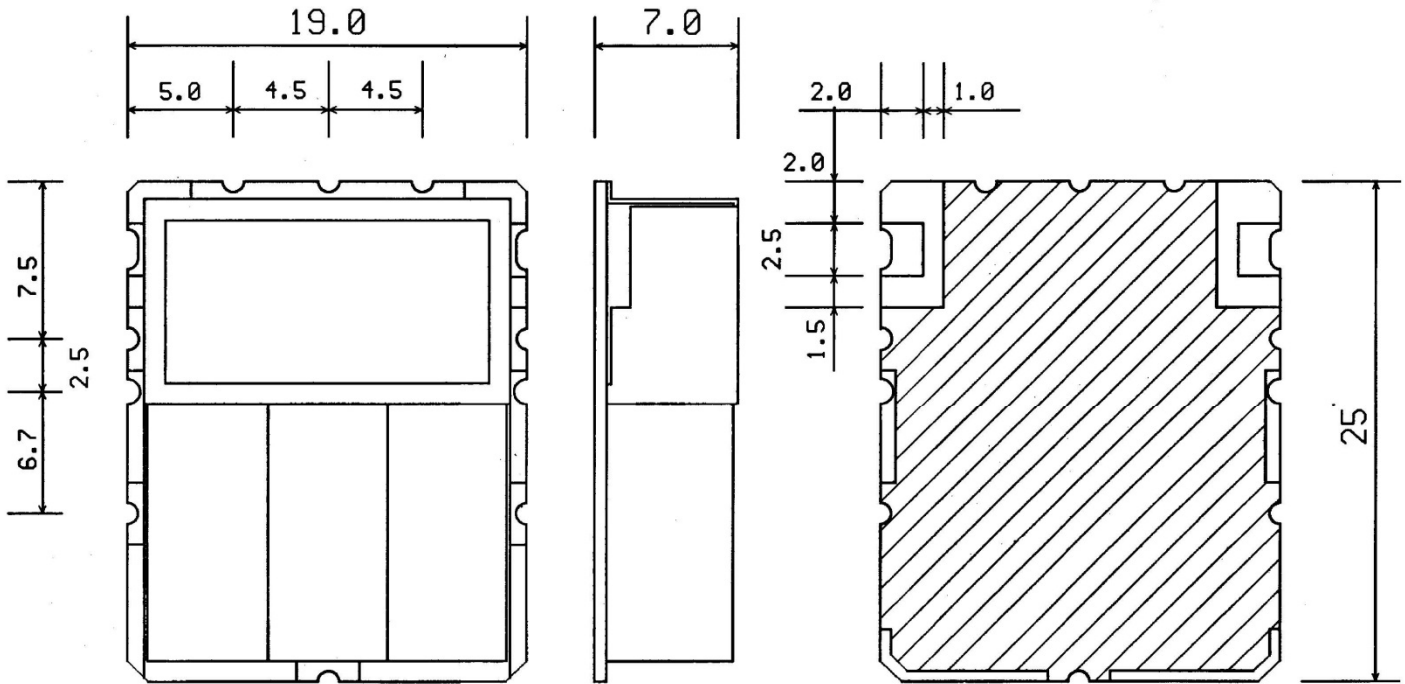
**Mechanical**

**Mounting Method:** SMT  
**Dimensions:** 25.0 x 19.0 x 7.0 mm

**Environmental**

**Operating Temperature:** -40 to +85° C  
**Storage Temperature:** -50 to +95° C  
**Shock:** 20 G. 11 ms  
**Vibration:** 20 G. 5 to 200 MHz

**Outline Drawing:**



Tolerance Unless Specified : +/- 0.3  
 Unit : mm